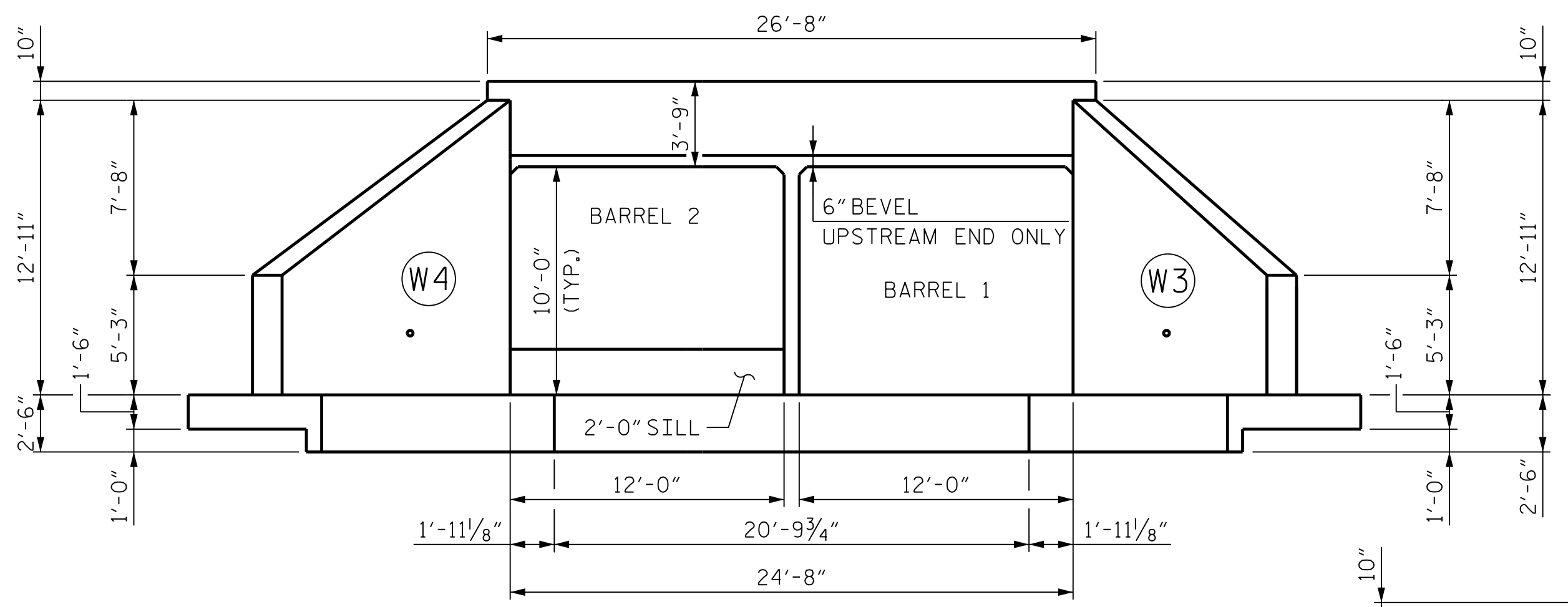
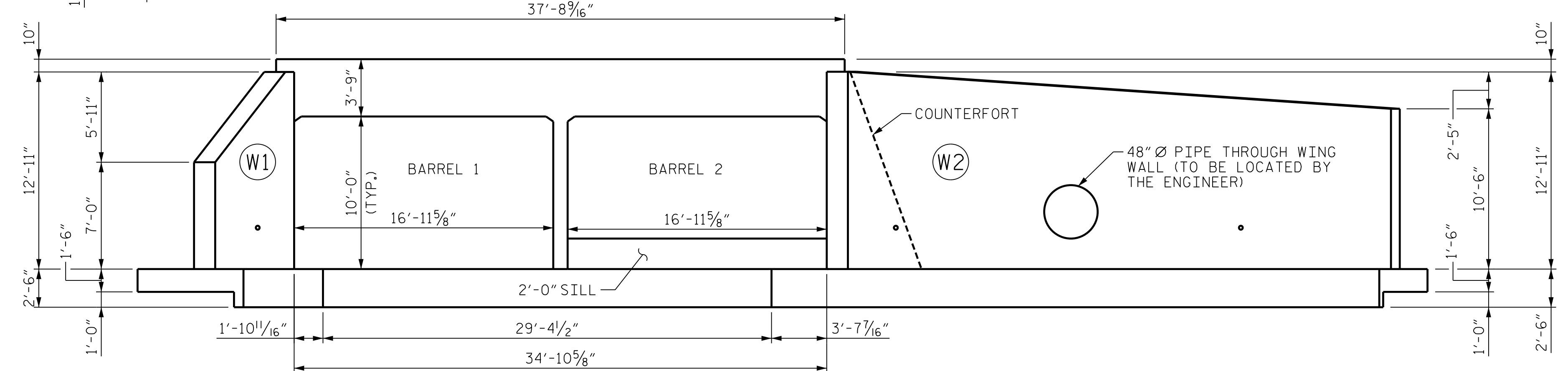


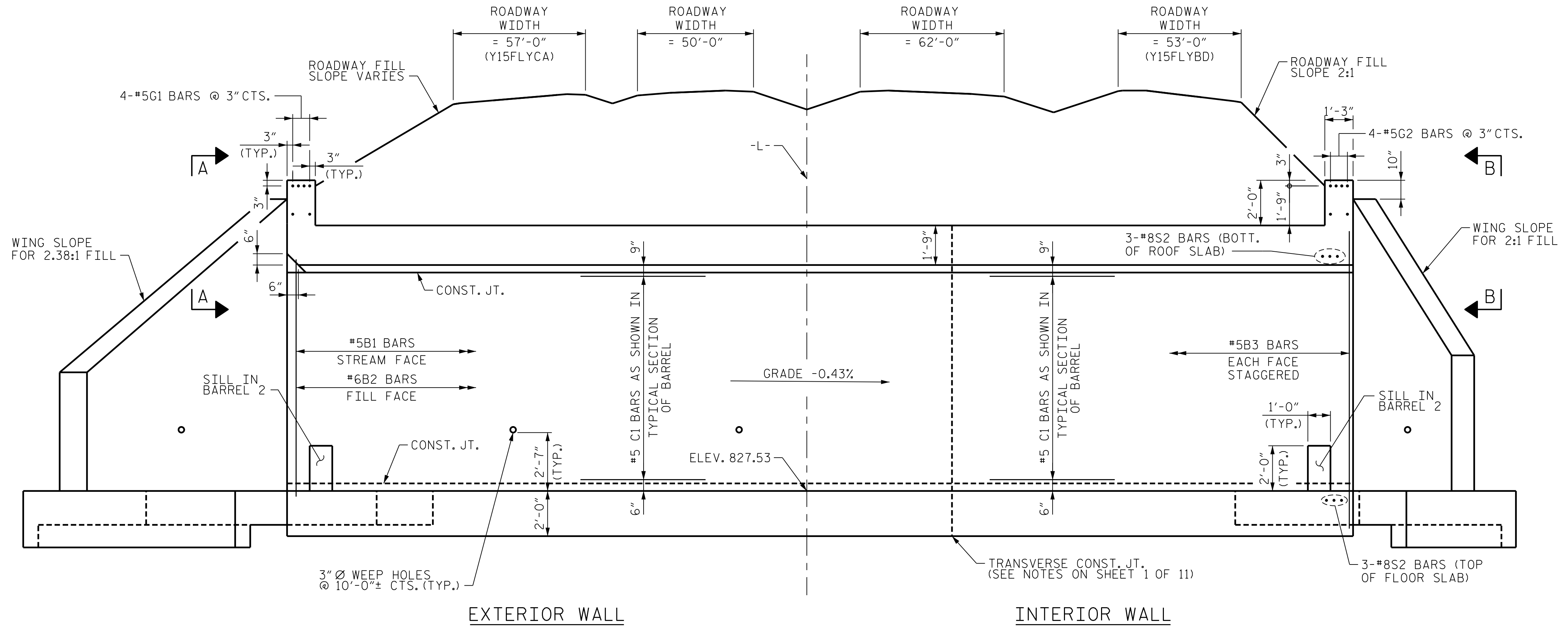
NOTE
FOR VIEWS A-A AND B-B, SEE SHEET 6 OF 11



INLET END ELEVATION NORMAL TO SKEW



OUTLET END ELEVATION NORMAL TO SKEW



CULVERT SECTION NORMAL TO ROADWAY

I HEREBY CERTIFY THESE PLANS
ARE THE AS-BUILT PLANS

PROJECT NO. U-2579AB
FORSYTH COUNTY
STATION: 768+62.23 -L-
SHEET 2 OF 11

STATE OF NORTH CAROLINA
DEPARTMENT OF TRANSPORTATION
RALEIGH
**DOUBLE BARREL
12 FT. X 10 FT.
CONCRETE BOX CULVERT
60° 45' 00" SKEW**

REVISIONS					
NO.	BY:	DATE:	NO.	BY:	DATE:
1			3		
2			4		

**NORTH CAROLINA
PROFESSIONAL
SEAL
29589
ENGINEER
DOMINIC A. COLETTI**

10/11/2021

PLOT DRIVER: NCDOT STRUCTURES DEFAULT PLOTTER.plt PENTABLE: NCDOT STRUCTURES DEFAULT PEN.tbl
USER: PPRETOSO DATE: 5/20/2021 TIME: 9:54:08 AM
FILE: ...ELEVATION VIEWS

DES BY: <u>T. MCALEENAN</u>	DATE: <u>09/19</u>	DWG BY: <u>T. MCALEENAN</u>	DATE: <u>09/19</u>
DES CHK: <u>R. TURNAGE</u>	DATE: <u>09/19</u>	CHK BY: <u>R. TURNAGE</u>	DATE: <u>09/19</u>

HDR HDR Engineering, Inc. of the Carolinas
555 Fayetteville St., Suite 900 Raleigh, N.C. 27601
N.C.B.E.L.S. License Number: F-0116

**DOCUMENT NOT CONSIDERED FINAL
UNLESS ALL SIGNATURES COMPLETED**

SHEET NO. CI-2
TOTAL SHEETS 11