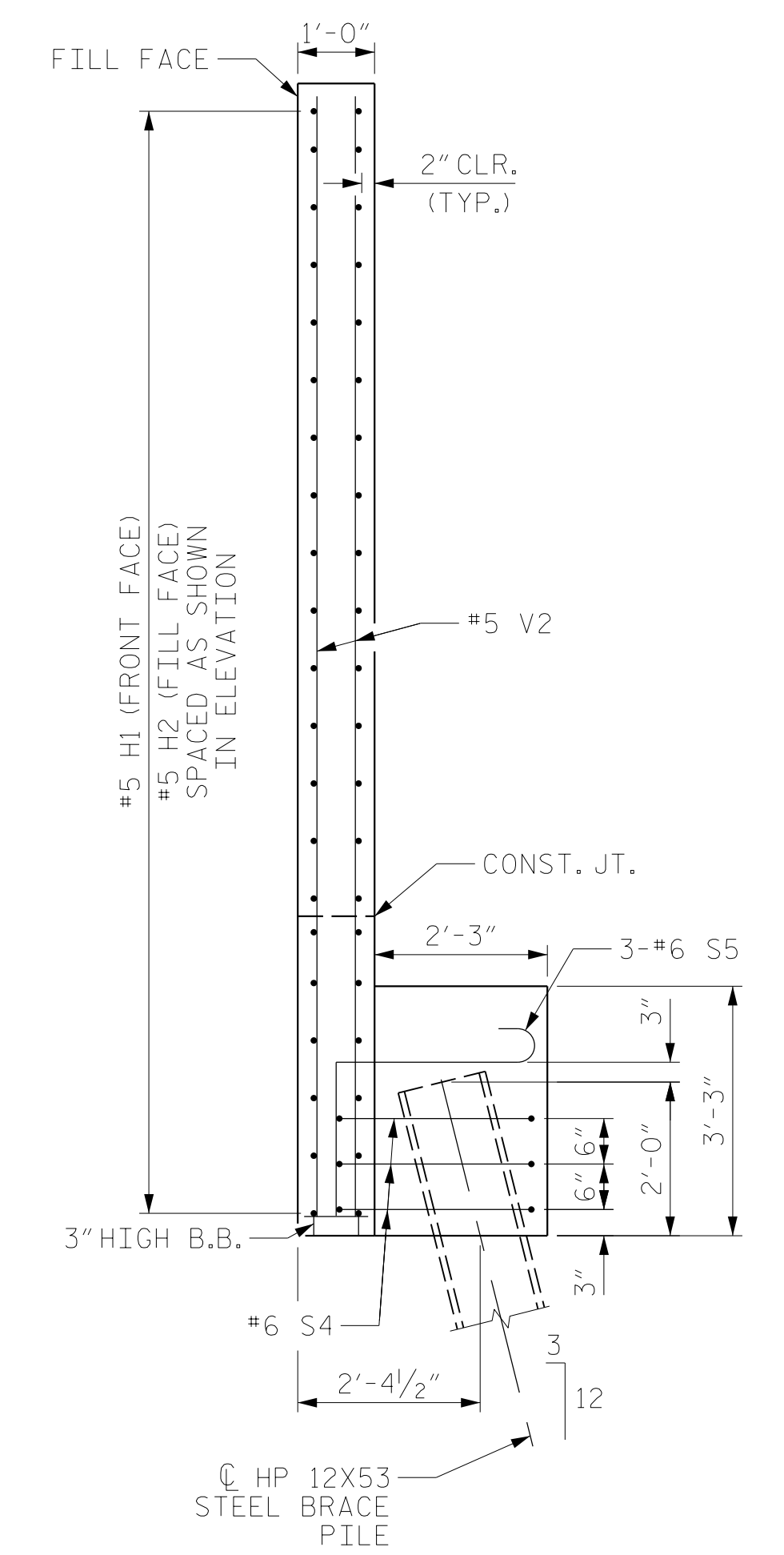
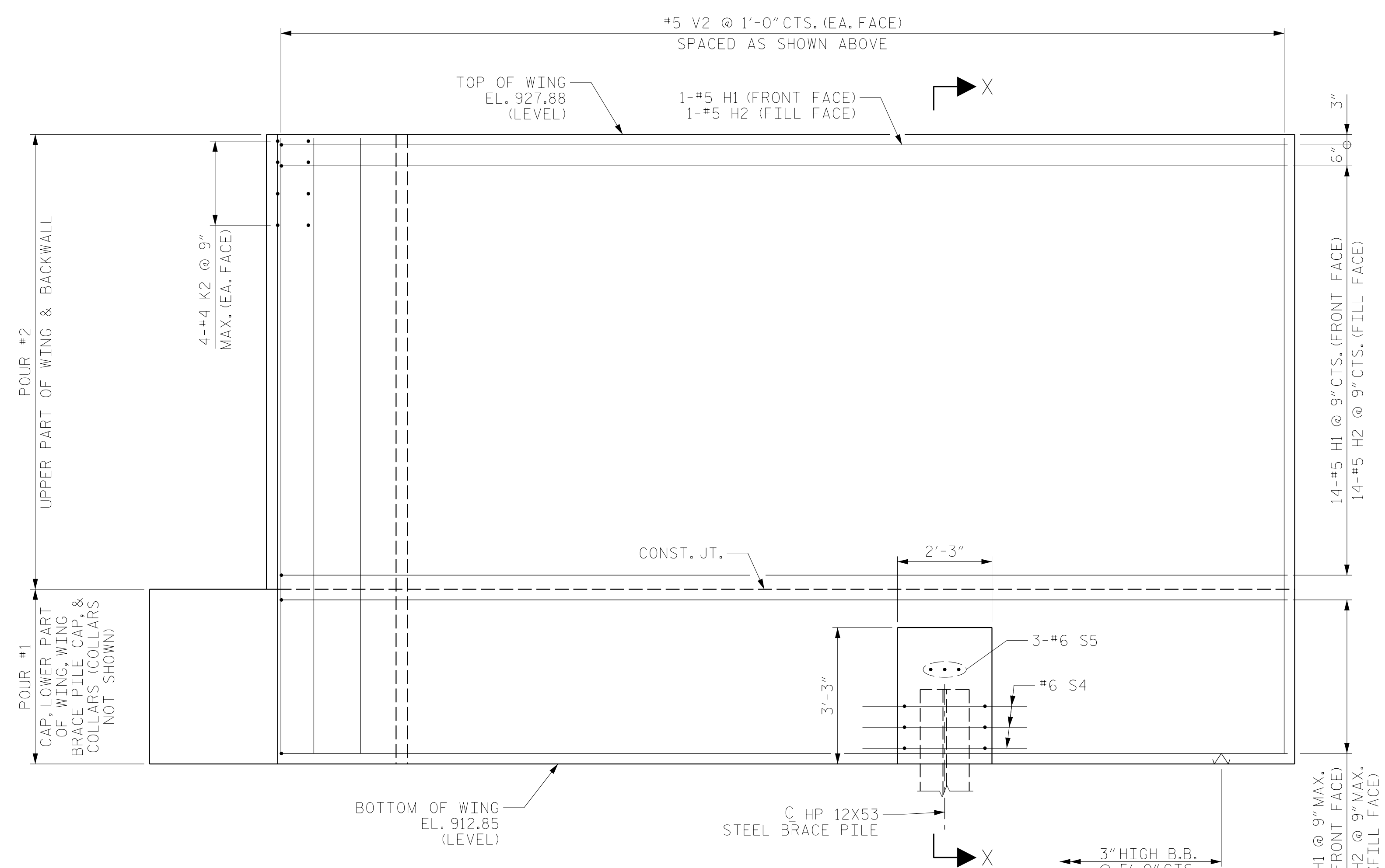


**PLAN OF WING W1**  
 THE STRAIGHT ENDS OF #5 H2 BARS CAN BE TRIMMED AS NECESSARY TO AVOID CONFLICT WITH PILE IN CAP. HOOKED ENDS SHALL NOT BE CUT.



**SECTION X-X**



**ELEVATION OF WING W1**

PROJECT NO. U-2579AB  
FORSYTH COUNTY  
 STATION: 23+43.03 -Y16-

SHEET 3 OF 5



**RS&H**  
 RS&H Architects-Engineers-Planners, Inc.  
 8521 Six Forks Road, Suite 400  
 919-926-4100 FAX 919-846-9080  
 www.rsandh.com  
 North Carolina License No. 50737-5403-C-28

STATE OF NORTH CAROLINA DEPARTMENT OF TRANSPORTATION RALEIGH						SHEET NO. S7-42	
SUBSTRUCTURE END BENT 2 WING W1						TOTAL SHEETS 48	
REVISIONS							
NO.	BY:	DATE:	NO.	BY:	DATE:		
1			3				
2			4				

DRAWN BY : TRM DATE : 08/2019  
 CHECKED BY : MAL DATE : 12/2019  
 DESIGN ENGINEER OF RECORD: JMR DATE : 12/2019

DOCUMENT NOT CONSIDERED  
 FINAL UNLESS ALL  
 SIGNATURES COMPLETED