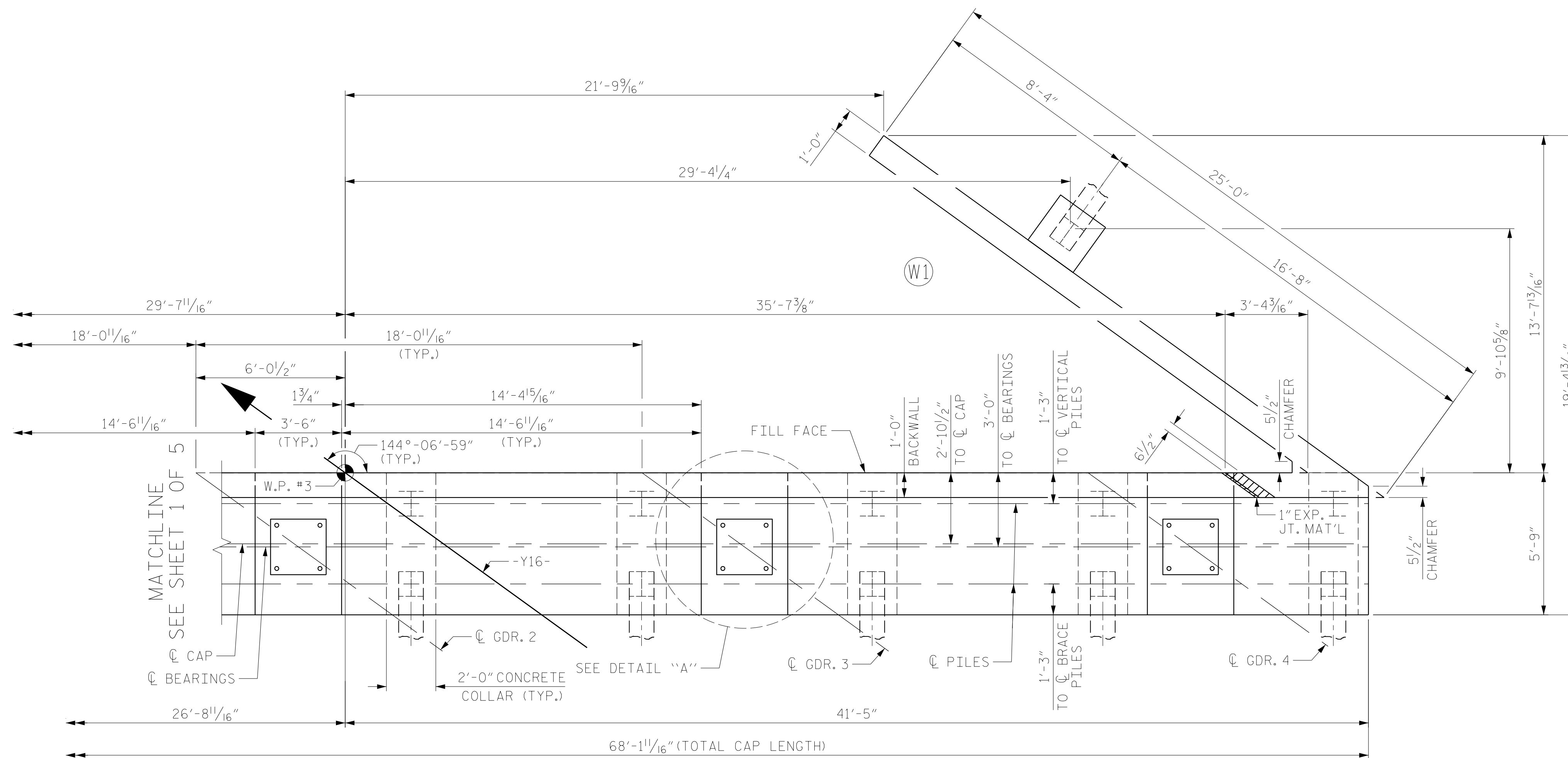


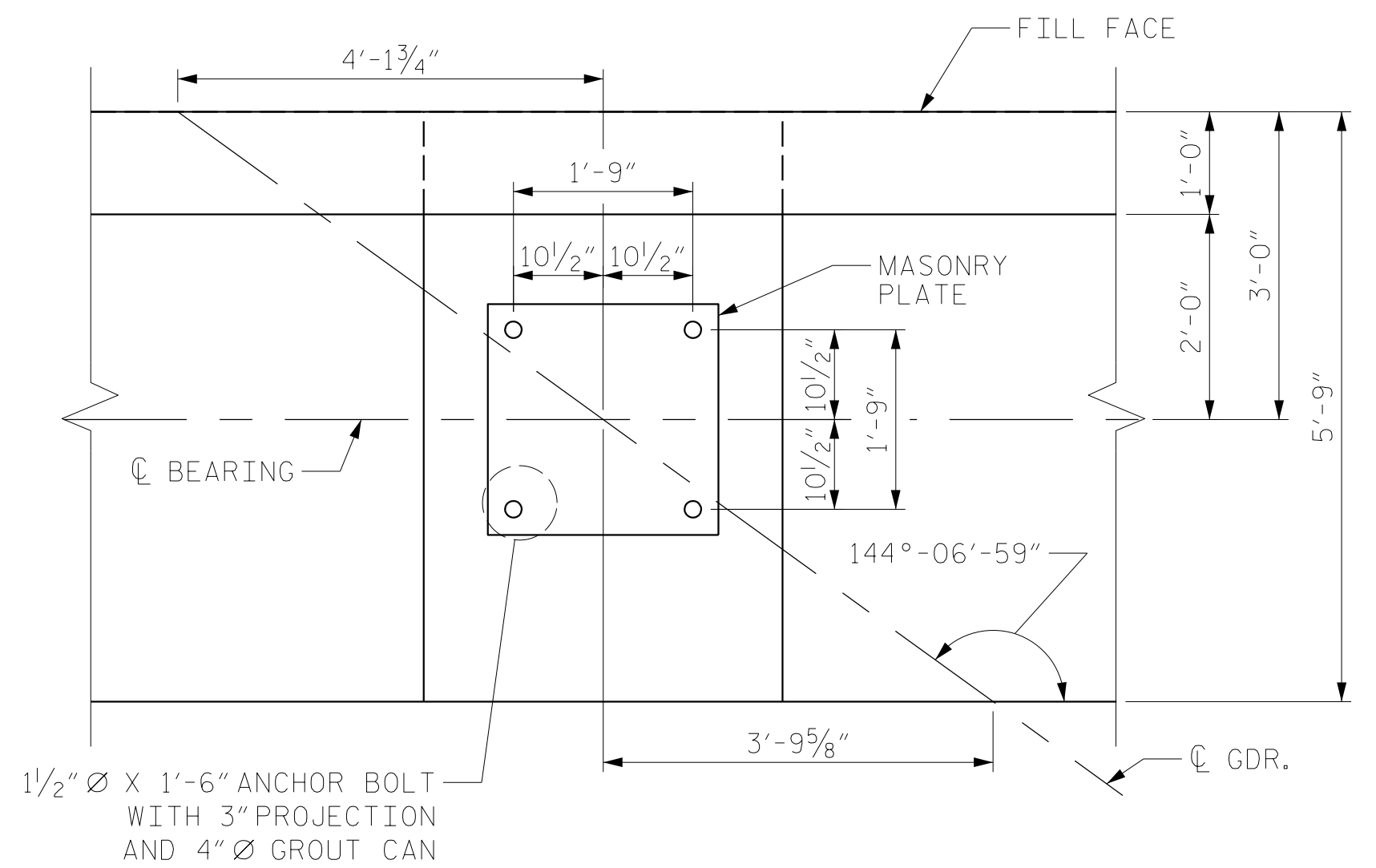
NOTES:

FOR SECTION A-A AND PARTIAL SECTION B-B, SEE SHEET 5 OF 5.

FOR ADDITIONAL NOTES, SEE SHEET 1 OF 5.

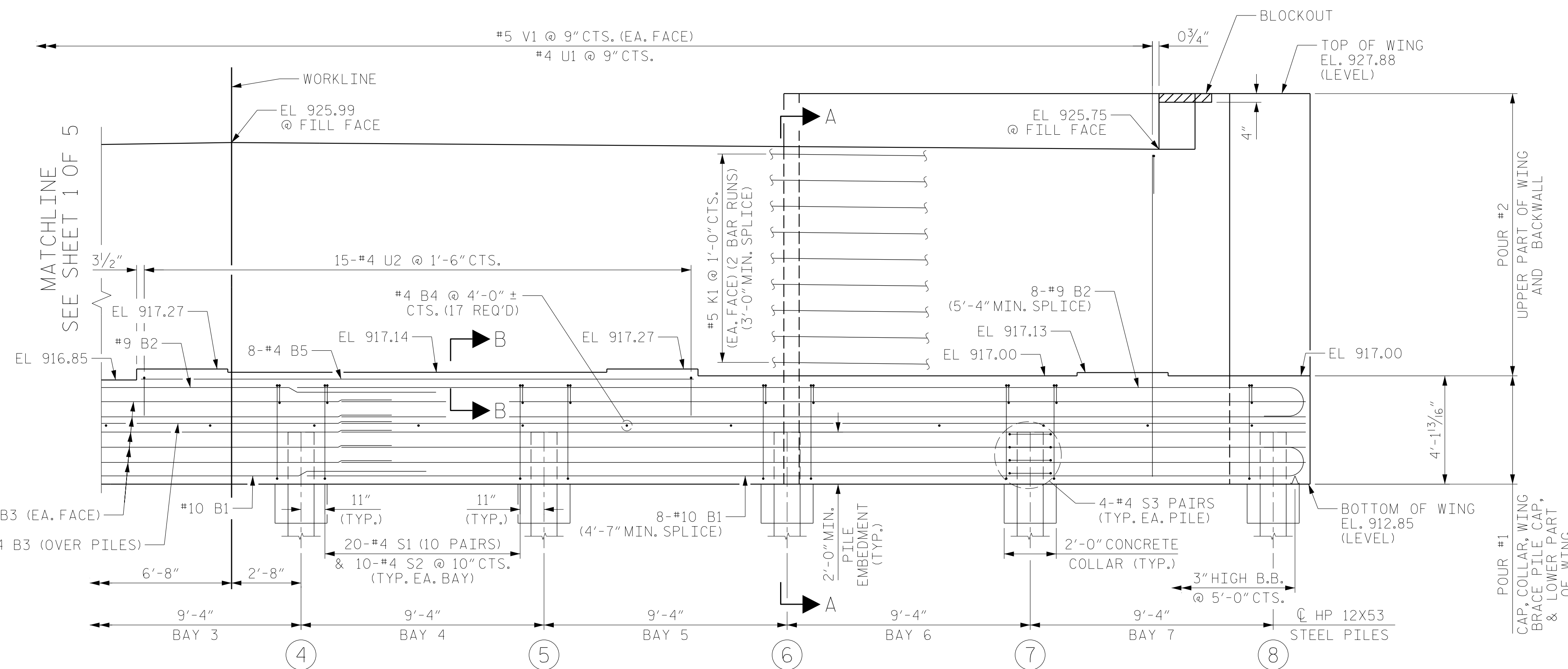


PARTIAL PLAN



DETAIL "A"

PILES NOT SHOWN FOR CLARITY



PARTIAL ELEVATION

(BRACED PILES IN WING NOT SHOWN FOR CLARITY)

PROJECT NO. U-2579AB
 FORSYTH COUNTY
 STATION: 23+43.03 -Y16-

SHEET 2 OF 5



STATE OF NORTH CAROLINA
 DEPARTMENT OF TRANSPORTATION
 RALEIGH
 SUBSTRUCTURE
 END BENT 2 PARTIAL
 PLAN AND ELEVATION

DRAWN BY : NSC DATE : 09/2019
 CHECKED BY : MAL DATE : 12/2019
 DESIGN ENGINEER OF RECORD: JMR DATE : 12/2019

DOCUMENT NOT CONSIDERED
 FINAL UNLESS ALL
 SIGNATURES COMPLETED

REVISIONS						SHEET NO.
NO.	BY:	DATE:	NO.	BY:	DATE:	
1			3			TOTAL SHEETS
2			4			48