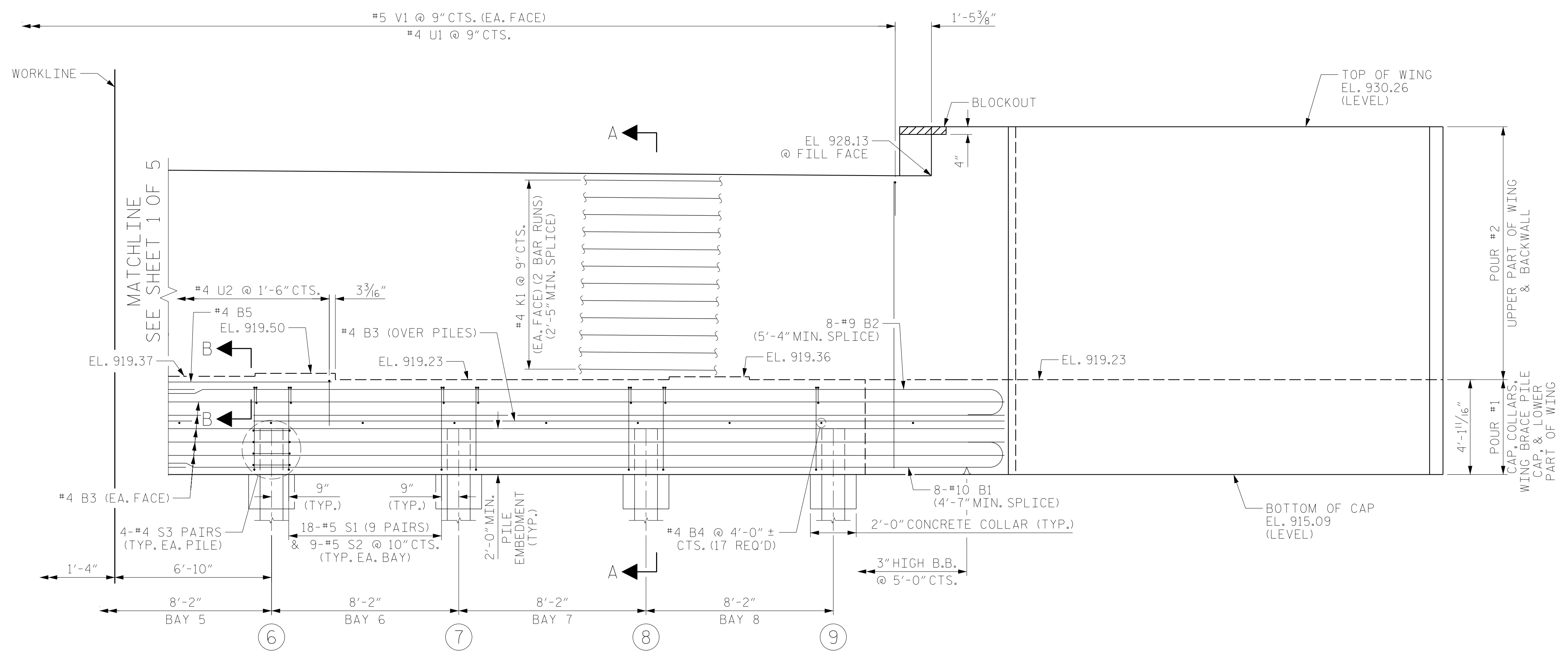


PARTIAL PLAN

NOTES:
 FOR SECTION A-A AND PARTIAL SECTION B-B,
 SEE SHEET 5 OF 5.
 FOR ADDITIONAL NOTES, SEE SHEET 1 OF 5.



PARTIAL ELEVATION
 (BRACE PILES IN WING NOT SHOWN FOR CLARITY)

PROJECT NO. U-2579AB
FORSYTH COUNTY
 STATION: 23+43.03 -Y16-
 SHEET 2 OF 5



RS&H Architects-Engineers-Planners, Inc.
 8521 Six Forks Road, Suite 400
 919-926-4100 FAX 919-846-9080
 www.rsandh.com
 North Carolina License No. 50737-F-0403-C-28

STATE OF NORTH CAROLINA DEPARTMENT OF TRANSPORTATION RALEIGH					
SUBSTRUCTURE END BENT 1 PARTIAL PLAN AND ELEVATION					
REVISIONS					
NO.	BY:	DATE:	NO.	BY:	DATE:
1			3		
2			4		
SHEET NO.					S7-34
TOTAL SHEETS					48

DRAWN BY : NSC DATE : 09/2019
 CHECKED BY : MAL DATE : 12/2019
 DESIGN ENGINEER OF RECORD: JMR DATE : 12/2019

DOCUMENT NOT CONSIDERED
 FINAL UNLESS ALL
 SIGNATURES COMPLETED