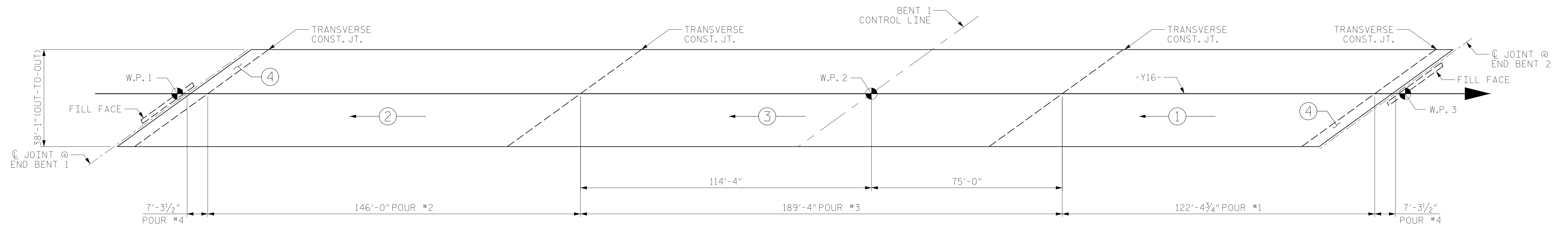
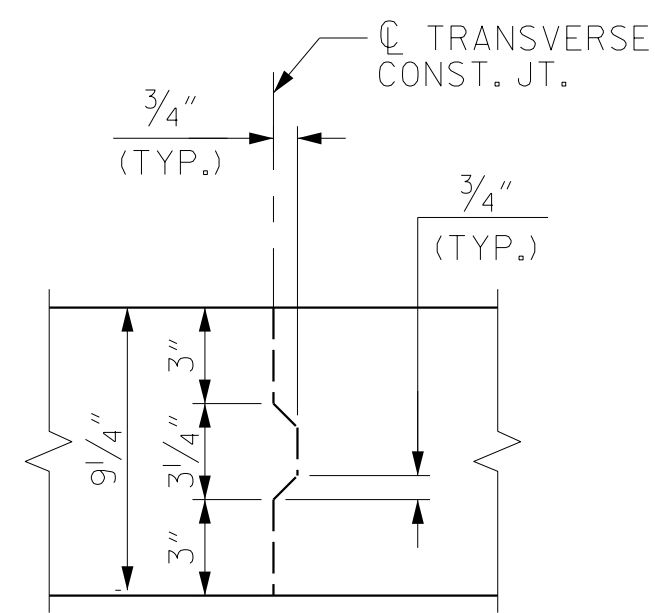


LAYOUT FOR COMPUTING AREA  
OF REINFORCED CONCRETE DECK SLAB  
(SQ. FT = 17,987)



POURING SEQUENCE



TRANSVERSE  
CONSTRUCTION JOINT DETAIL

REINFORCING STEEL IN SLAB NOT SHOWN. LONGITUDINAL  
REINFORCEMENT SHALL BE CONTINUOUS THROUGH JOINT.

PROJECT NO. U-2579AB  
FORSYTH COUNTY  
STATION: 23+43.03 -Y16-

SHEET 2 OF 2



**RS&H**  
RS&H Architects-Engineers-Planners, Inc.  
8521 Six Forks Road, Suite 400  
919-926-4100 FAX 919-846-9080  
www.rsandh.com  
North Carolina License No. 50737-F-0403-C-01

STATE OF NORTH CAROLINA  
DEPARTMENT OF TRANSPORTATION  
RALEIGH  
SUPERSTRUCTURE  
BILL OF MATERIAL

REVISIONS						SHEET NO.
NO.	BY:	DATE:	NO.	BY:	DATE:	S7-32
1			3			TOTAL SHEETS
2			4			48

DRAWN BY : MRA DATE : 12/2019  
CHECKED BY : JMR DATE : 12/2019  
DESIGN ENGINEER OF RECORD: JMR DATE : 12/2019

DOCUMENT NOT CONSIDERED  
FINAL UNLESS ALL  
SIGNATURES COMPLETED