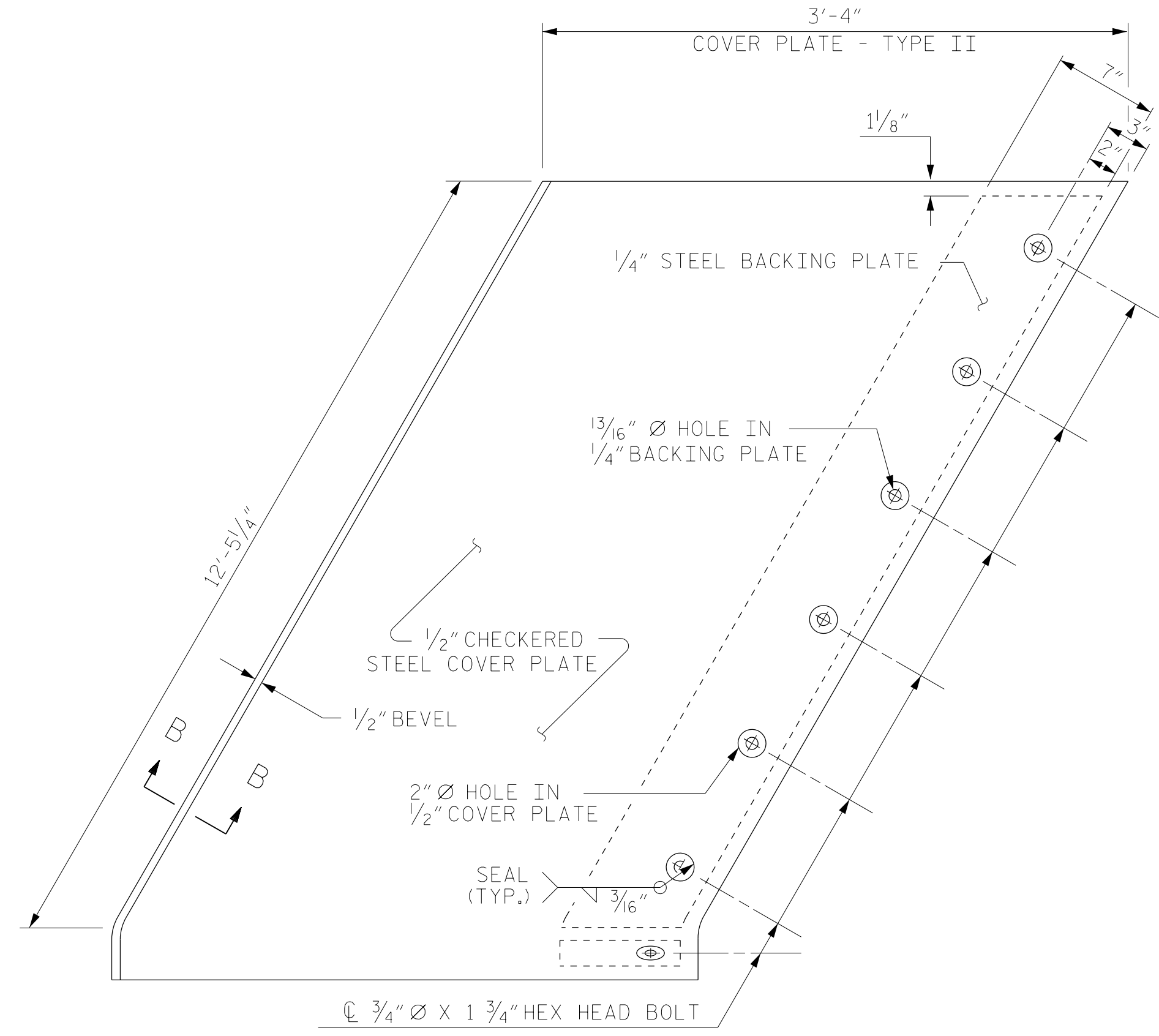


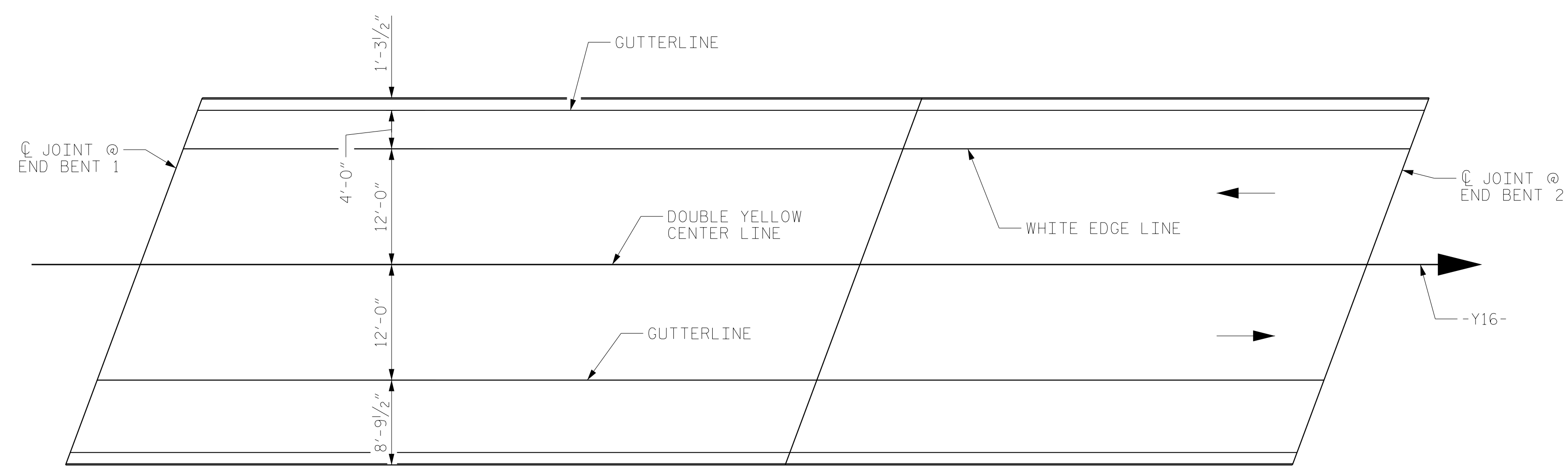
END VIEW
(NORMAL TO SIDEWALK)

* CONCRETE RECESS DIMENSIONS:
 1 3/16" FOR THE SIDE OF THE JOINT HAVING THE 1/2" COVER PLATE WITH A 1/4" BACKING PLATE.
 9/16" FOR THE SIDE OF THE JOINT HAVING ONLY THE 1/2" COVER PLATE.



TYPE II - PLAN VIEW

COVER PLATE DETAILS



PAVEMENT MARKING ALIGNMENT

NOTE:
 FOR DETAILS NOT SHOWN, SEE SHEET 2 OF 4.

PROJECT NO. U-2579AB
FORSYTH COUNTY
 STATION: 23+43.03 -Y16-

SHEET 4 OF 4

ASSEMBLED BY : TWL	DATE : 08/2019
CHECKED BY : MRA	DATE : 12/2019
DRAWN BY : REK 10/87	REV. 5/1/06 TLA/GM
CHECKED BY : CRK 1/88	REV. 10/1/11 MAA/GM
	REV. 12/17 MAA/THG

10/14/2021
 X:\P\1031785002 U-2579AB WS North Beltway\Design\Structures\CAD\Site T\Archive\Pre-SidewalkChange\407_059_U2579AB_SMU_JS.S-30_330728.dgn
 CuanyN

DOCUMENT NOT CONSIDERED
 FINAL UNLESS ALL
 SIGNATURES COMPLETED

STATE OF NORTH CAROLINA DEPARTMENT OF TRANSPORTATION RALEIGH						SHEET NO. S7-30	
STANDARD EXPANSION JOINT SEAL DETAILS FOR SIDEWALK						TOTAL SHEETS 48	
REVISIONS							
NO.	BY:	DATE:	NO.	BY:	DATE:		
1			3				
2			4				