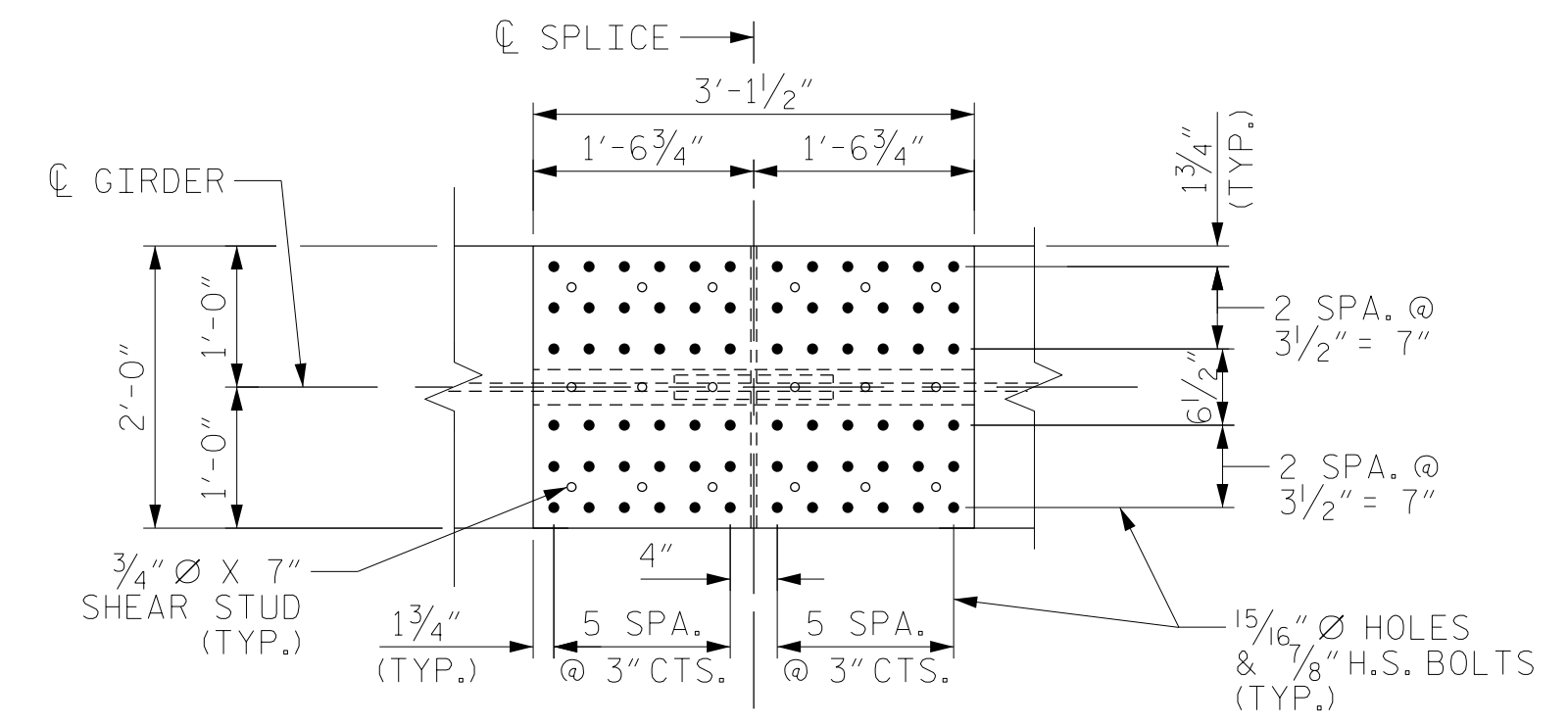
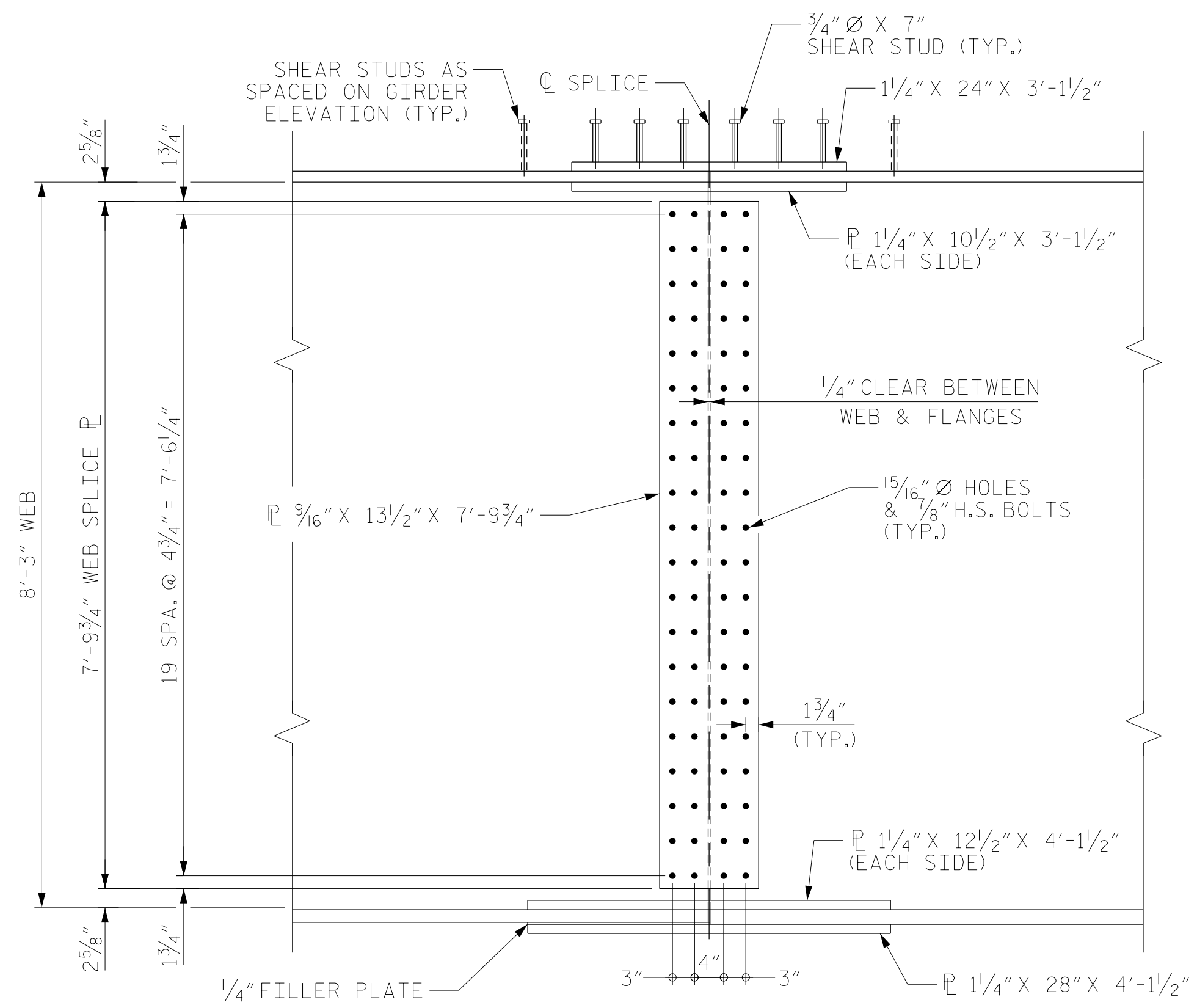


NOTES:

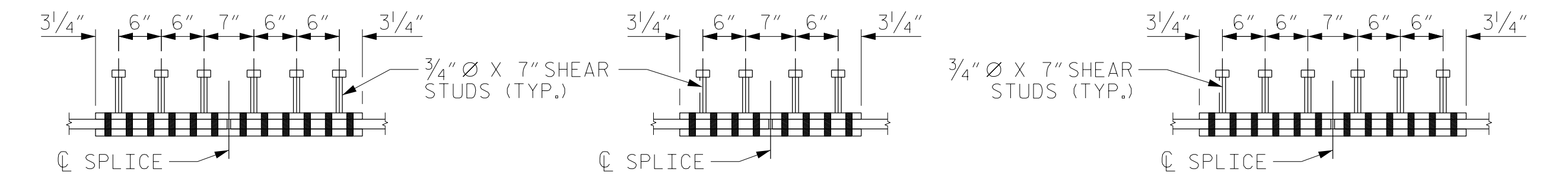
THREADS ARE TO BE EXCLUDED IN ALL WEB AND FLANGE SPLICES.
 CLASS B FAYING SURFACE SHALL BE USED.



PLAN (TOP OF TOP FLANGE)



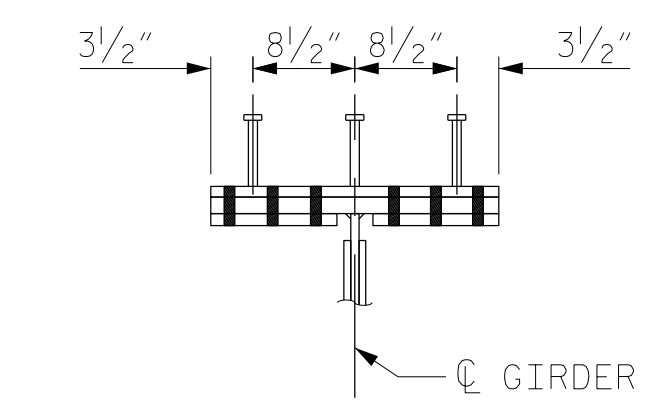
ELEVATION



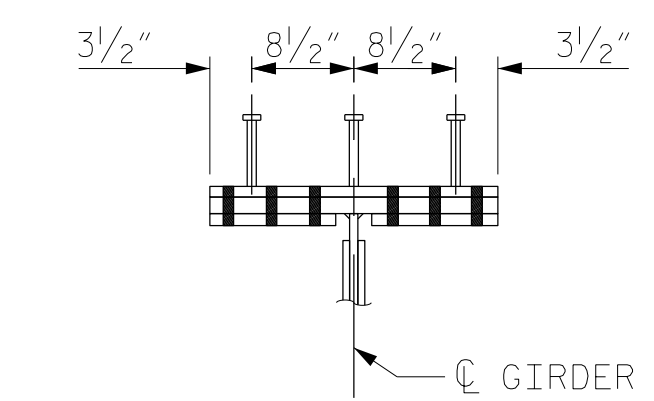
ELEVATION

ELEVATION

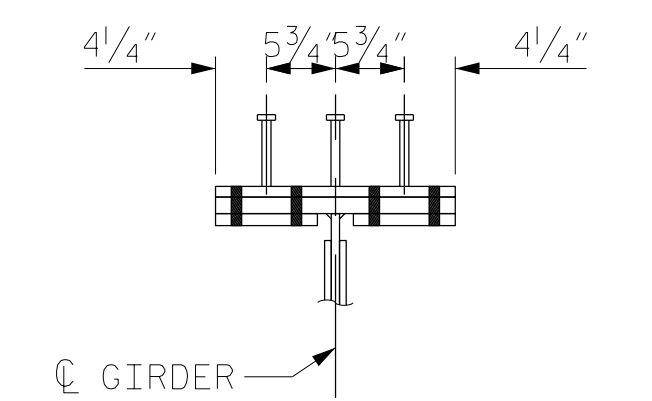
ELEVATION



SECTION FS1

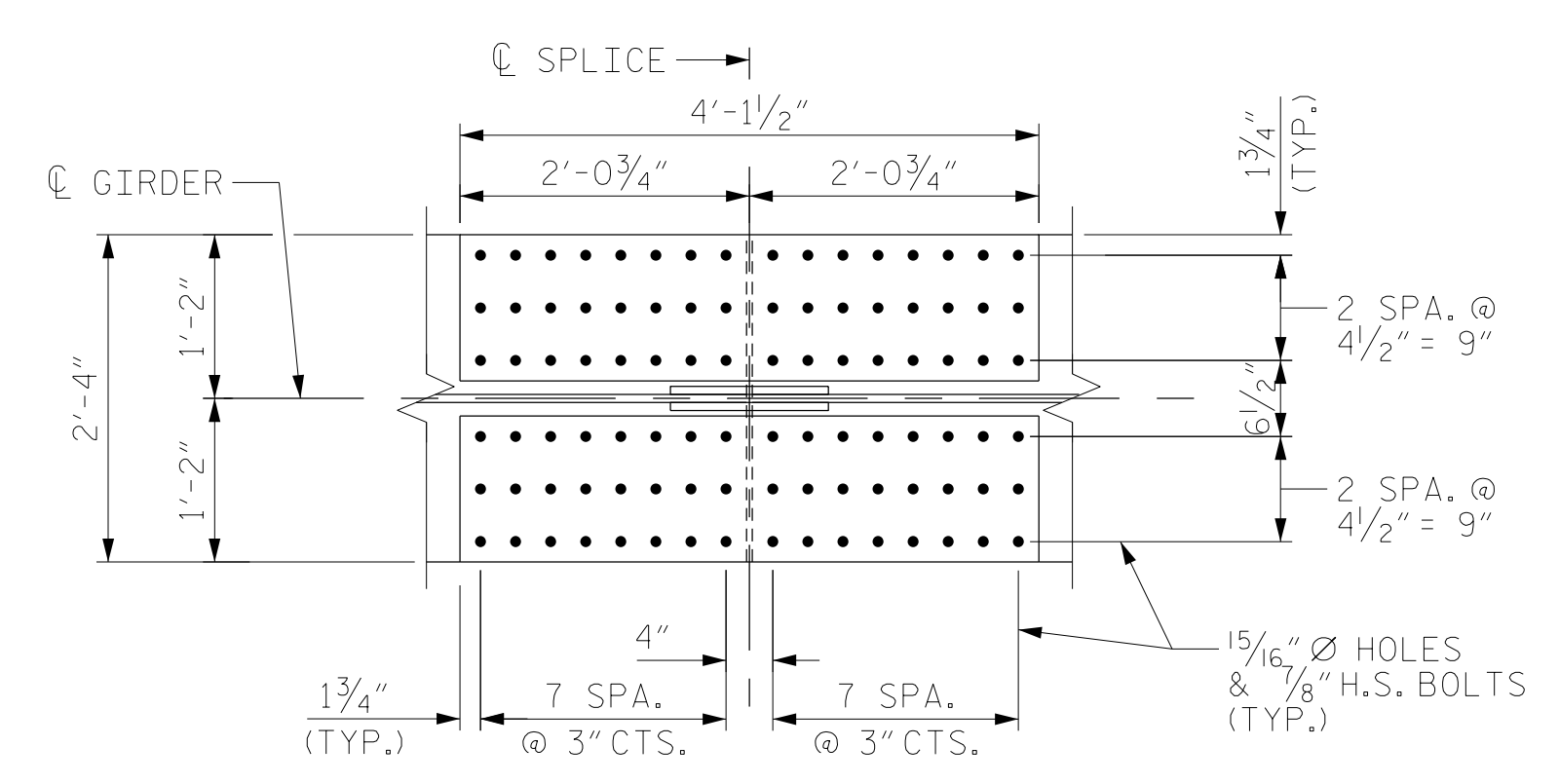


SECTION FS2



SECTION FS3

SHEAR STUD DETAIL FOR TOP FLANGE SPLICE PLATES



PLAN (BOTTOM OF TOP FLANGE)

BOLTED FIELD SPLICE

PROJECT NO. U-2579AB
FORSYTH COUNTY
 STATION: 23+43.03 -Y16-

SHEET 4 OF 5



RS&H Architects-Engineers-Planners, Inc.
 8521 Six Forks Road, Suite 400
 919-926-4100 FAX 919-846-9080
 www.rsandh.com
 North Carolina License No. 5073-F-0403-C-02

STATE OF NORTH CAROLINA
 DEPARTMENT OF TRANSPORTATION
 RALEIGH
 SUPERSTRUCTURE
 STRUCTURAL STEEL
 DETAILS

REVISIONS						SHEET NO.
NO.	BY:	DATE:	NO.	BY:	DATE:	SHEET NO.
1			3			57-15
2			4			TOTAL SHEETS 48

DOCUMENT NOT CONSIDERED FINAL UNLESS ALL SIGNATURES COMPLETED

DRAWN BY : <u>TRM</u>	DATE : <u>10/2019</u>
CHECKED BY : <u>MAL</u>	DATE : <u>12/2019</u>
DESIGN ENGINEER OF RECORD: <u>JMR</u>	DATE : <u>12/2019</u>