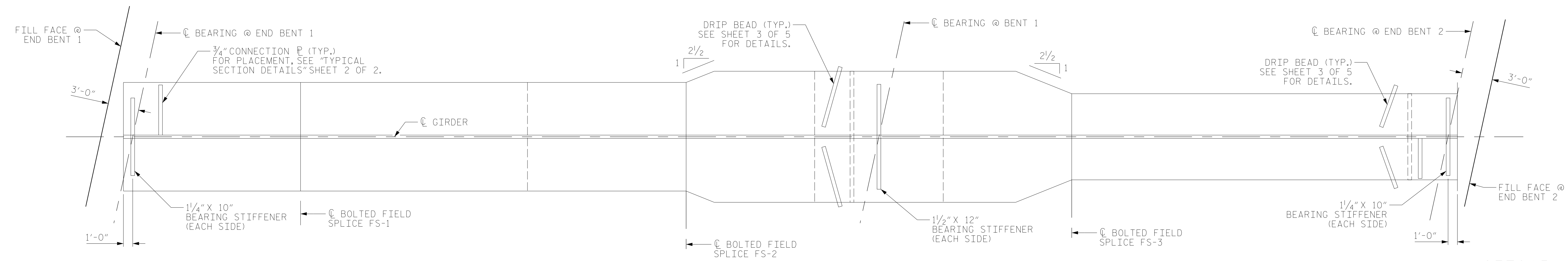


GIRDER ELEVATION

(FOR CLARITY, CONNECTOR PLATES AND INTERMEDIATE STIFFENER PLATES NOT SHOWN)



PLAN OF BOTTOM FLANGE

(FOR CLARITY, CONNECTOR PLATES AND INTERMEDIATE STIFFENER PLATES NOT SHOWN)

PROJECT NO. U-2579AB
FORSYTH COUNTY
 STATION: 23+43.03 -Y16-

SHEET 1 OF 5

- NOTES:**
- FOR STRUCTURAL STEEL NOTES, SEE SHEET 2 OF 5.
 - FOR SHEAR STUD DETAILS, SEE SHEET 2 OF 5.
 - FOR BOLTED FIELD SPLICE DETAILS, SEE SHEET 4 AND 5 OF 5.
 - ALL STUDS IN GIRDER ELEVATION ARE 7" TALL UNLESS NOTED OTHERWISE.

DRAWN BY :	TRM	DATE :	10/2019
CHECKED BY :	MAL	DATE :	12/2019
DESIGN ENGINEER OF RECORD:	JMR	DATE :	12/2019

DOCUMENT NOT CONSIDERED FINAL UNLESS ALL SIGNATURES COMPLETED

RS&H
 RS&H Architects-Engineers-Planners, Inc.
 8521 Six Forks Road, Suite 400
 919-926-4100 FAX 919-846-9080
 www.rsandh.com
 North Carolina License No. 50737-F-0403-C-02

STATE OF NORTH CAROLINA DEPARTMENT OF TRANSPORTATION RALEIGH					
SUPERSTRUCTURE STRUCTURAL STEEL DETAILS					
REVISIONS					
NO.	BY:	DATE:	NO.	BY:	DATE:
1			3		
2			4		
SHEET NO.					S7-12
TOTAL SHEETS					48