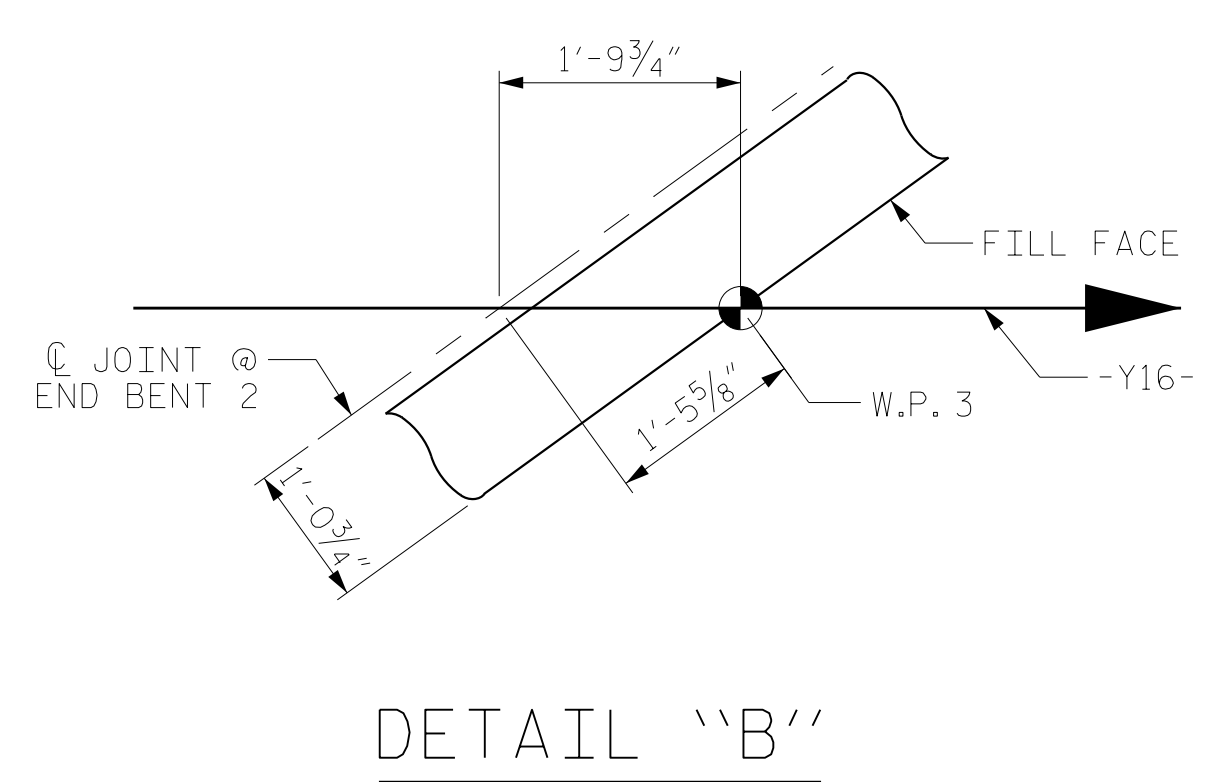
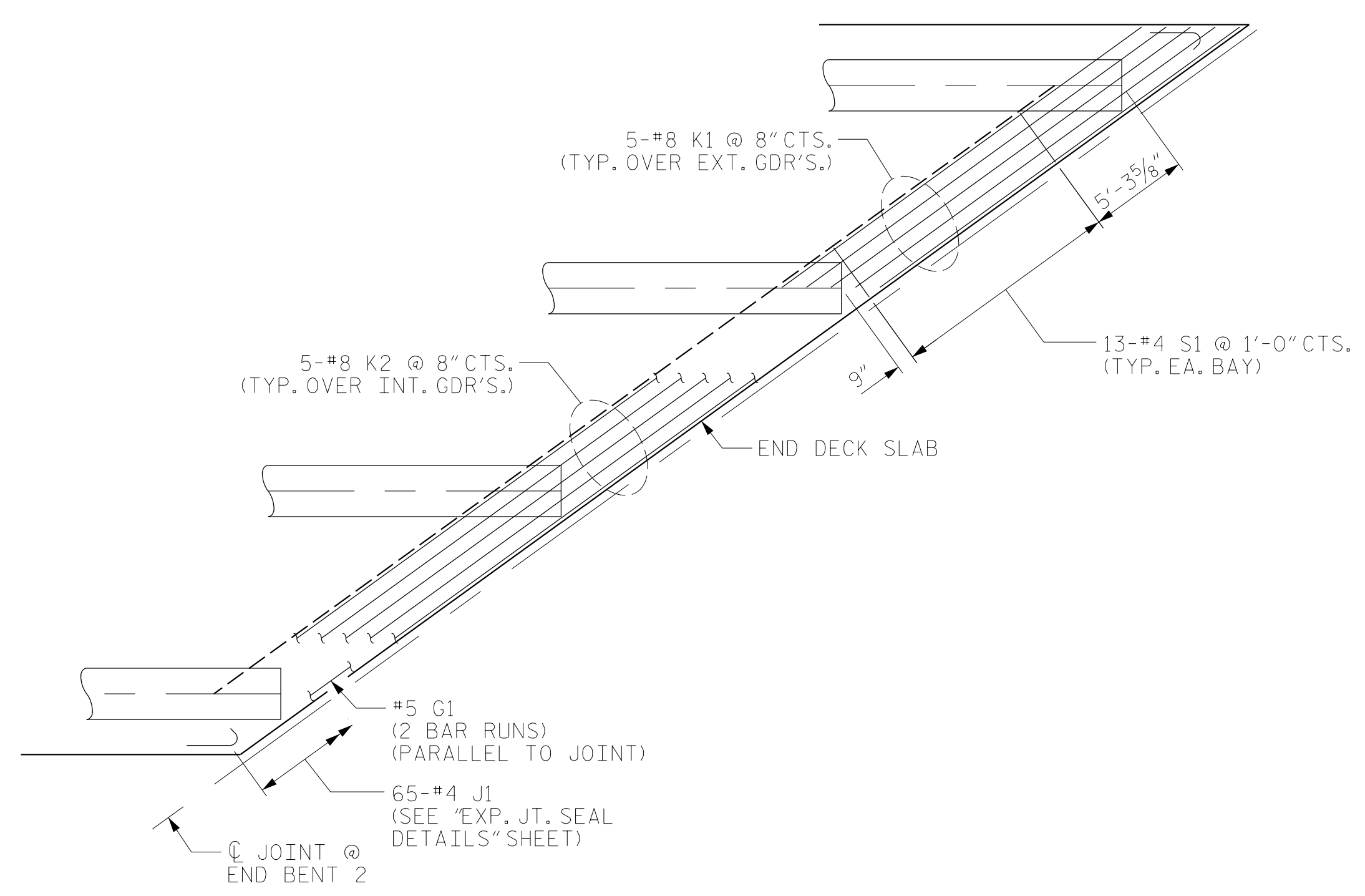


PLAN OF SPAN B

* DIMENSIONS MEASURED ALONG C JOINT



DETAIL "B"



END BENT 2 DIAPHRAGM REINFORCING DETAILS

#5 G1 MAY BE SHIFTED SLIGHTLY, AS NECESSARY, TO CLEAR REINFORCING STEEL AND STIRRUPS

NOTE:
FOR NOTES, SEE SHEET 1 OF 2.

PROJECT NO. U-2579AB
FORSYTH COUNTY
STATION: 23+43.03 -Y16-

SHEET 2 OF 2



STATE OF NORTH CAROLINA
DEPARTMENT OF TRANSPORTATION
RALEIGH
SUPERSTRUCTURE
PLAN OF SPAN B

REVISIONS						SHEET NO.
NO.	BY:	DATE:	NO.	BY:	DATE:	S7-9
1			3			TOTAL SHEETS
2			4			48

DRAWN BY : MRA DATE : 12/2019
CHECKED BY : JMR DATE : 12/2019
DESIGN ENGINEER OF RECORD: JMR DATE : 12/2019

DOCUMENT NOT CONSIDERED FINAL UNLESS ALL SIGNATURES COMPLETED