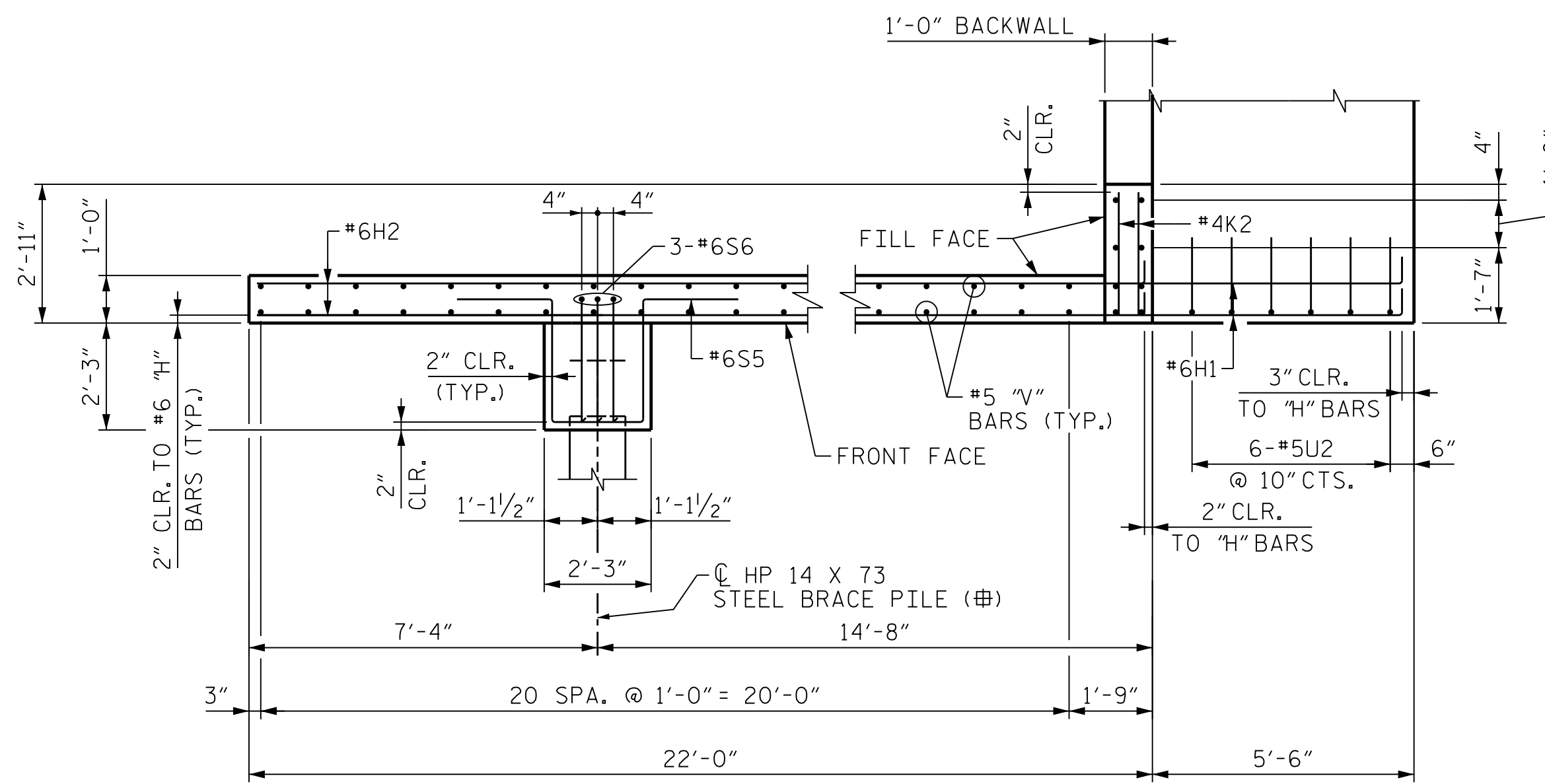
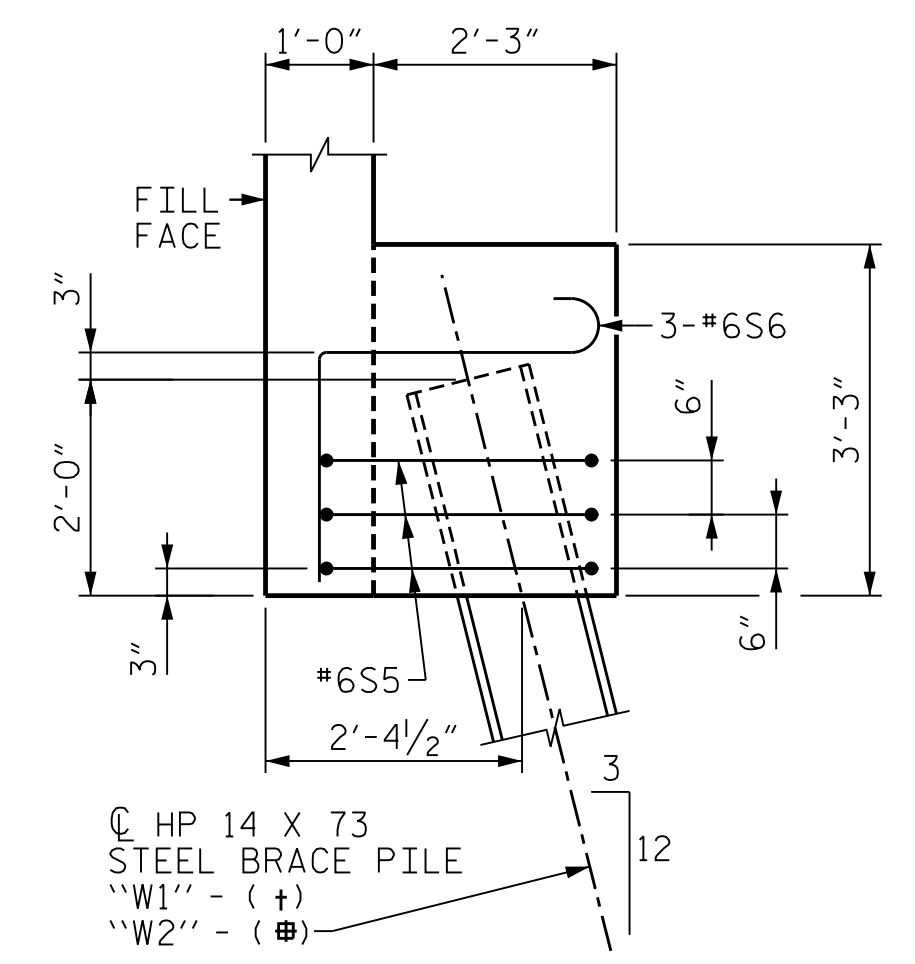


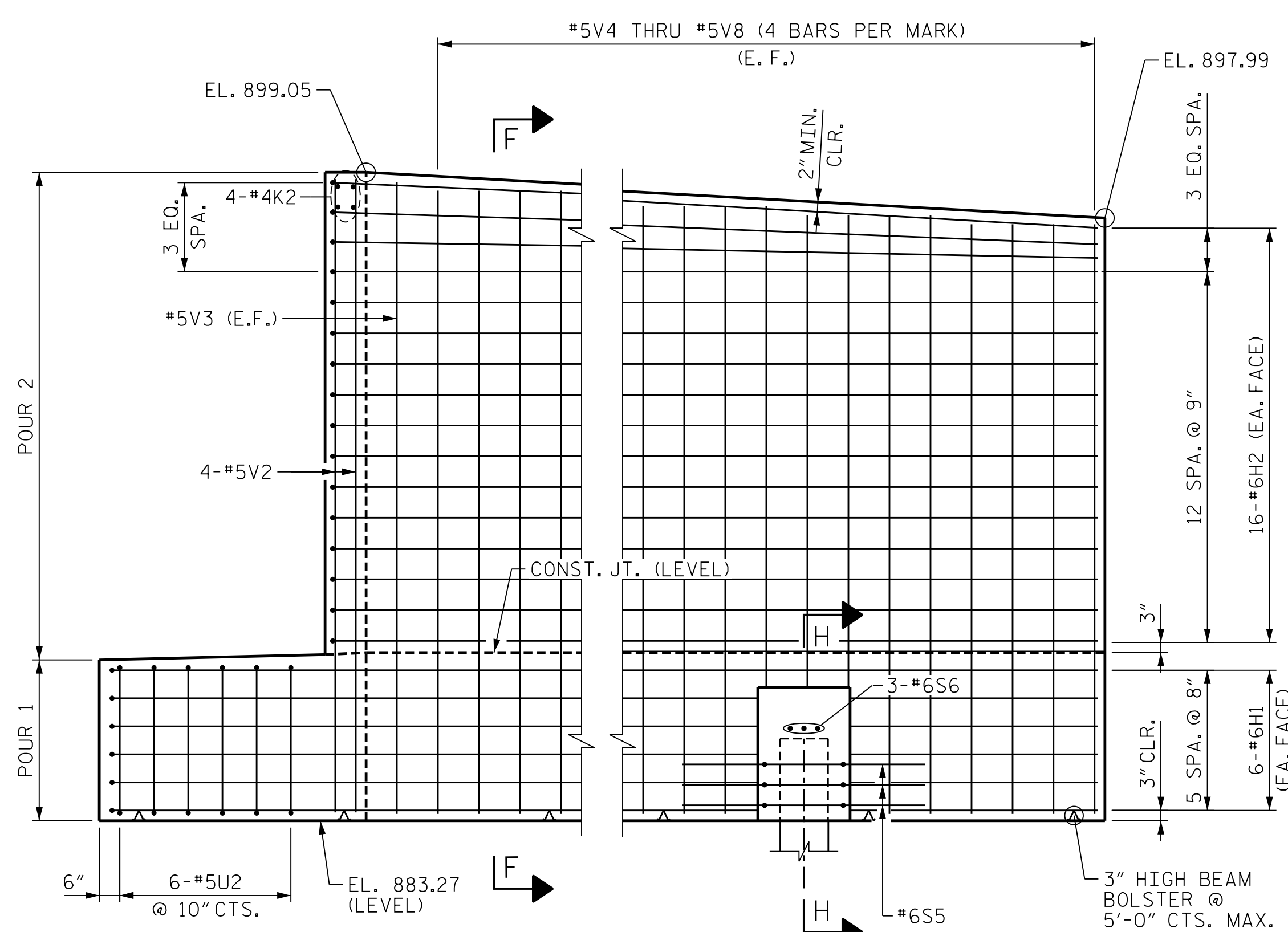
PLAN - WINGWALL "W1"



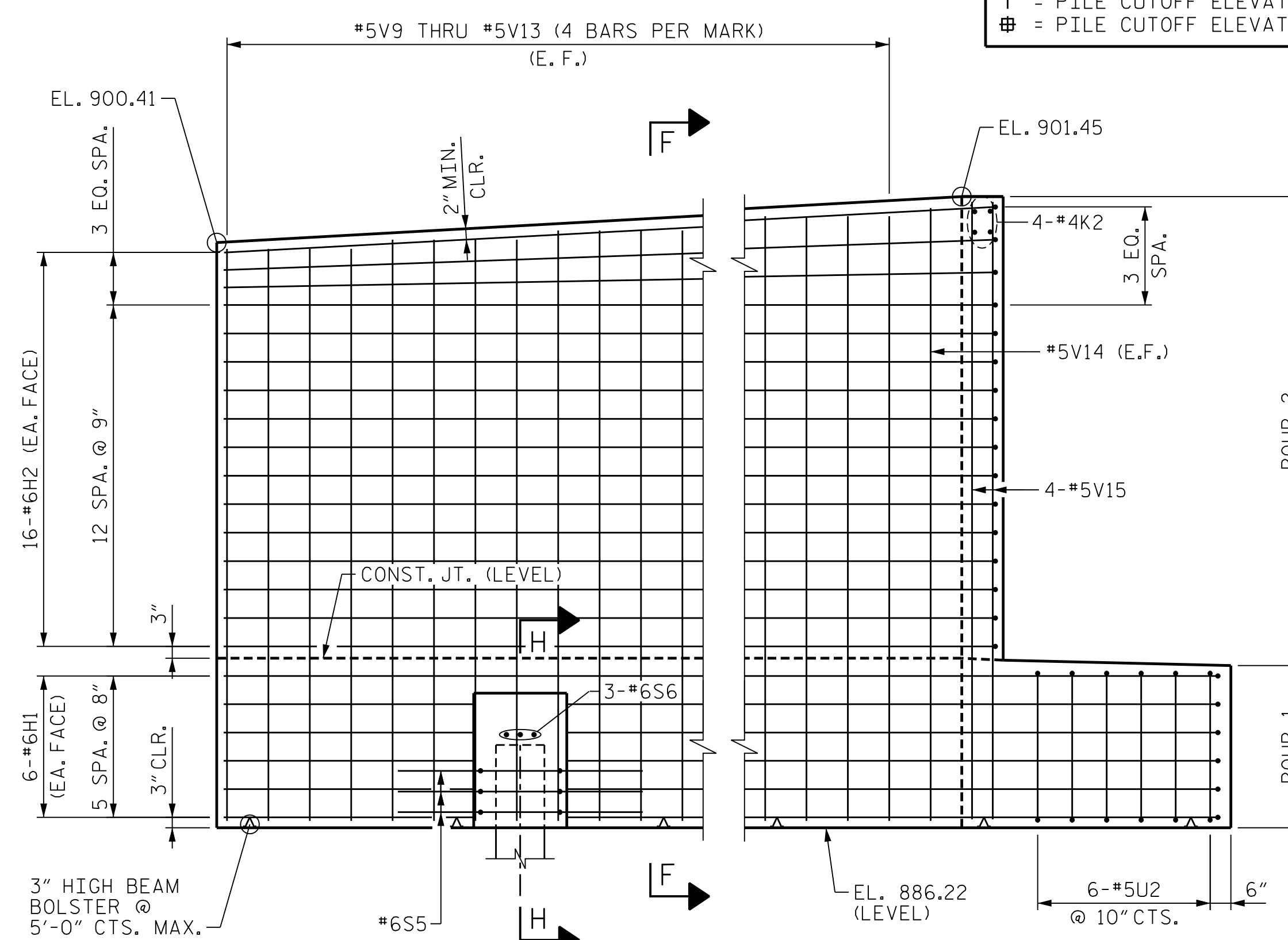
PLAN - WINGWALL "W2"



SECTION H-H

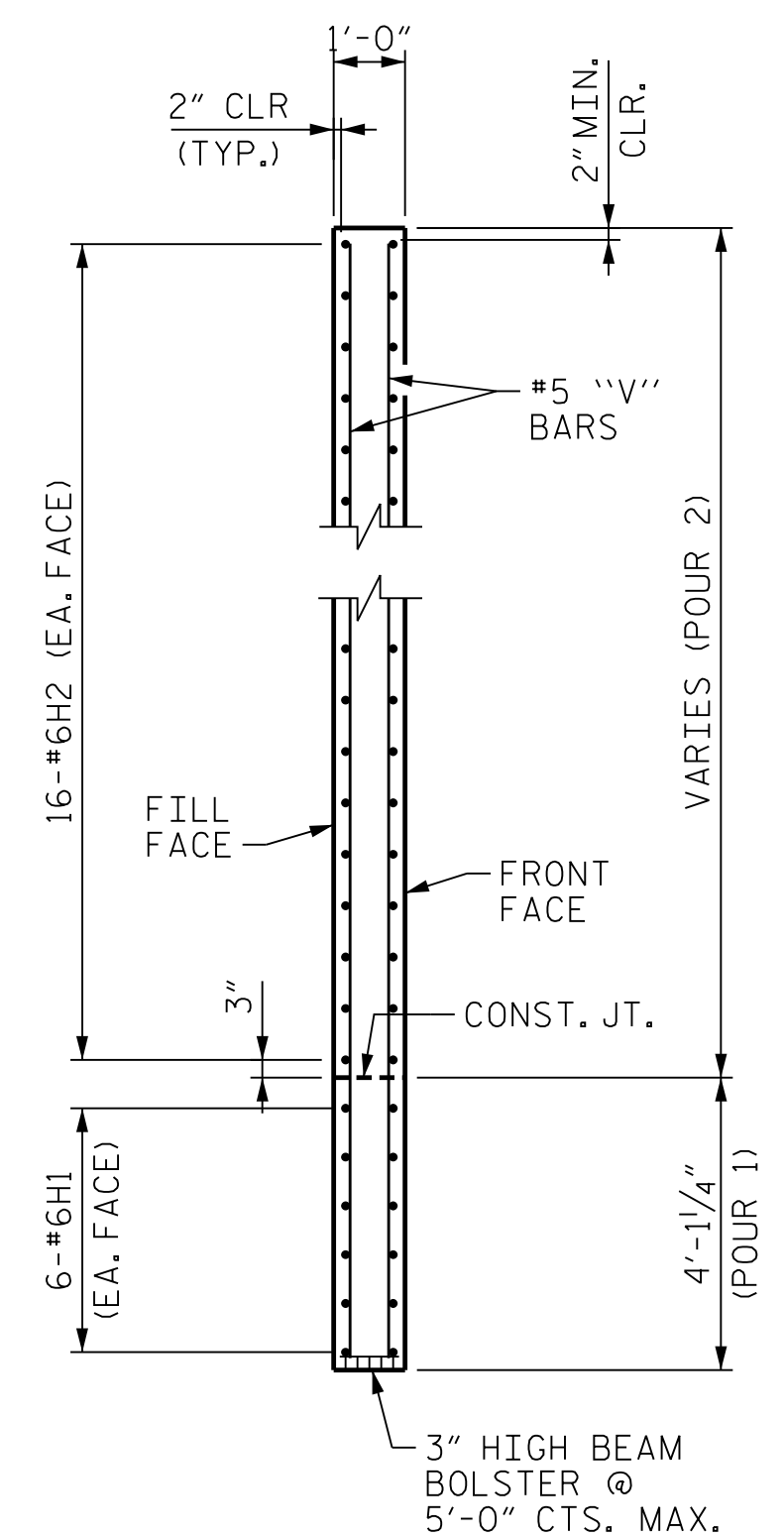


ELEVATION - WINGWALL "W1"



ELEVATION - WINGWALL "W2"

† = PILE CUTOFF ELEVATION 885.27
 # = PILE CUTOFF ELEVATION 888.22



SECTION F-F

PROJECT NO. U-2579AB
 FORSYTH COUNTY
 STATION: 58+33.94 -Y15FLYCA-

SHEET 3 OF 4

STATE OF NORTH CAROLINA
 DEPARTMENT OF TRANSPORTATION
 RALEIGH

SUBSTRUCTURE
 END BENT 2
 WING DETAILS



Domini A. Coletti 10/15/2021

REVISIONS

NO.	BY:	DATE:	NO.	BY:	DATE:
1	--	--	3	--	--
2	--	--	4	--	--

SHEET NO. S06-124
 TOTAL SHEETS 129



DOCUMENT NOT CONSIDERED FINAL
 UNLESS ALL SIGNATURES COMPLETED

PLOT DRIVER: NCDOT... PENTABLE: NCDOT... USER: PETERSON... DATE: 10/14/2021... TIME: 5:25:38 PM... FILE: ...SUBSTR

DES BY: M. BARNES	DATE: 07/19	DWG BY: B. PETERSON	DATE: 07/19
DES CHK: J. EARNEST	DATE: 07/19	CHK BY: J. EARNEST	DATE: 08/19