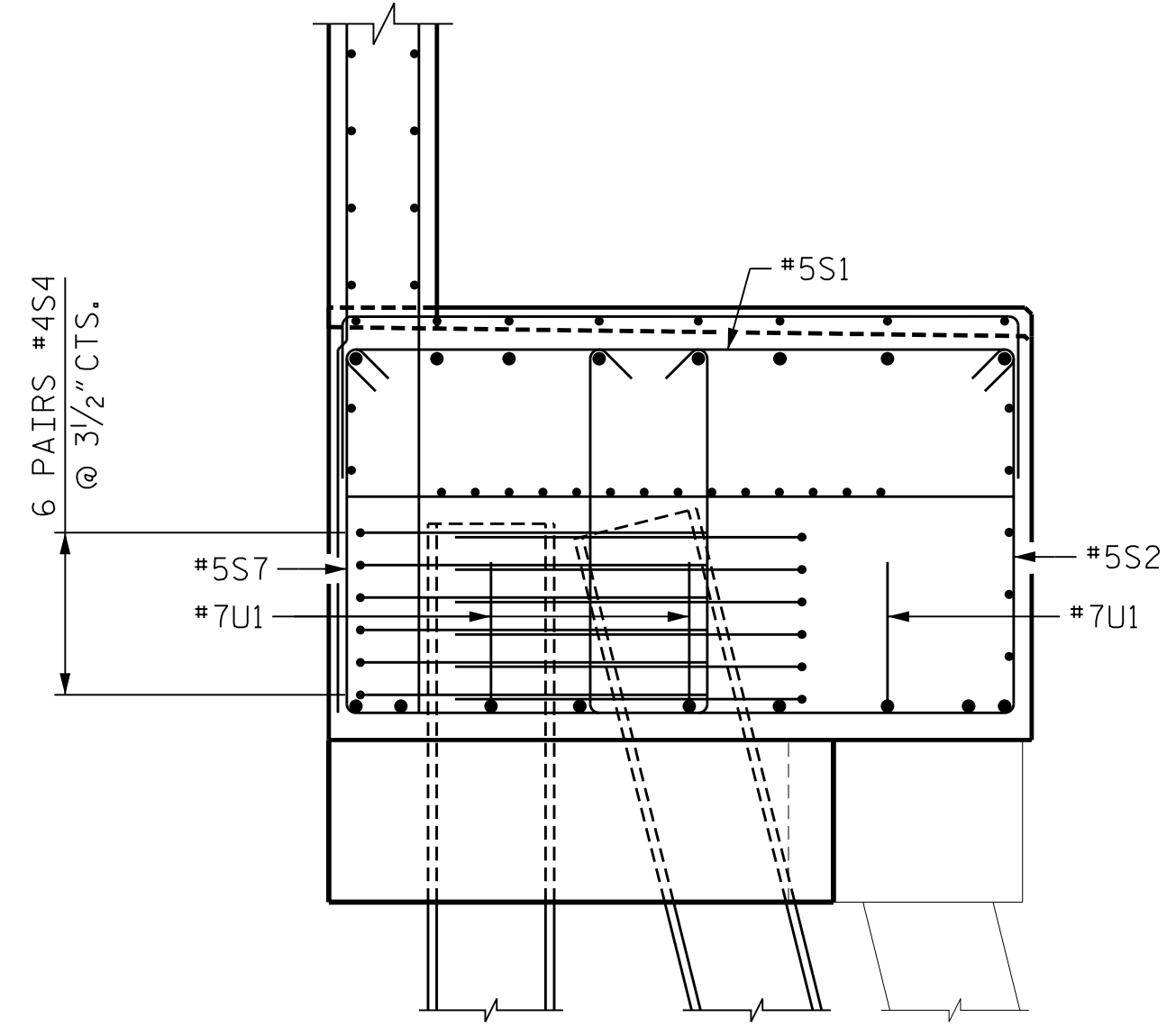
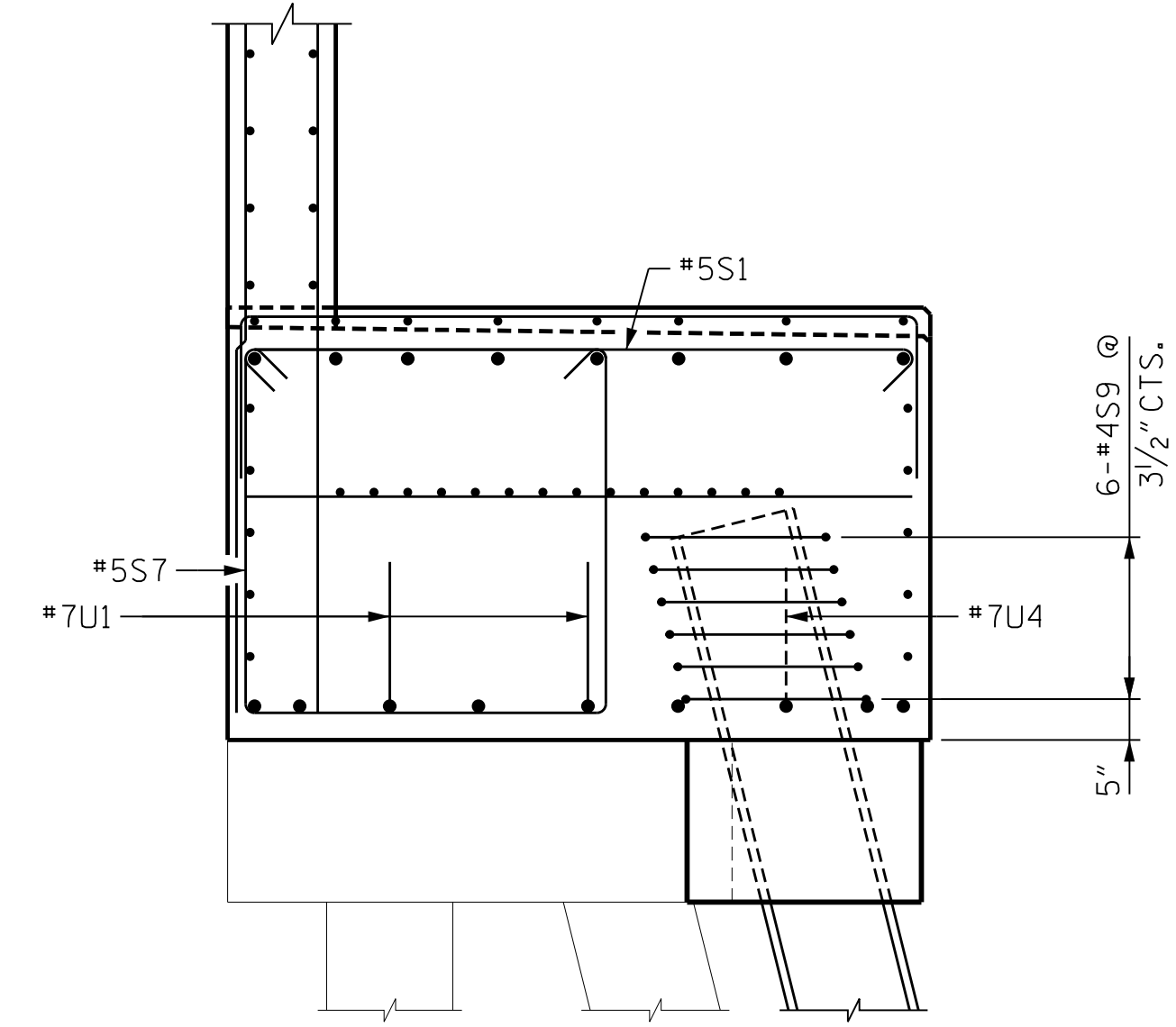


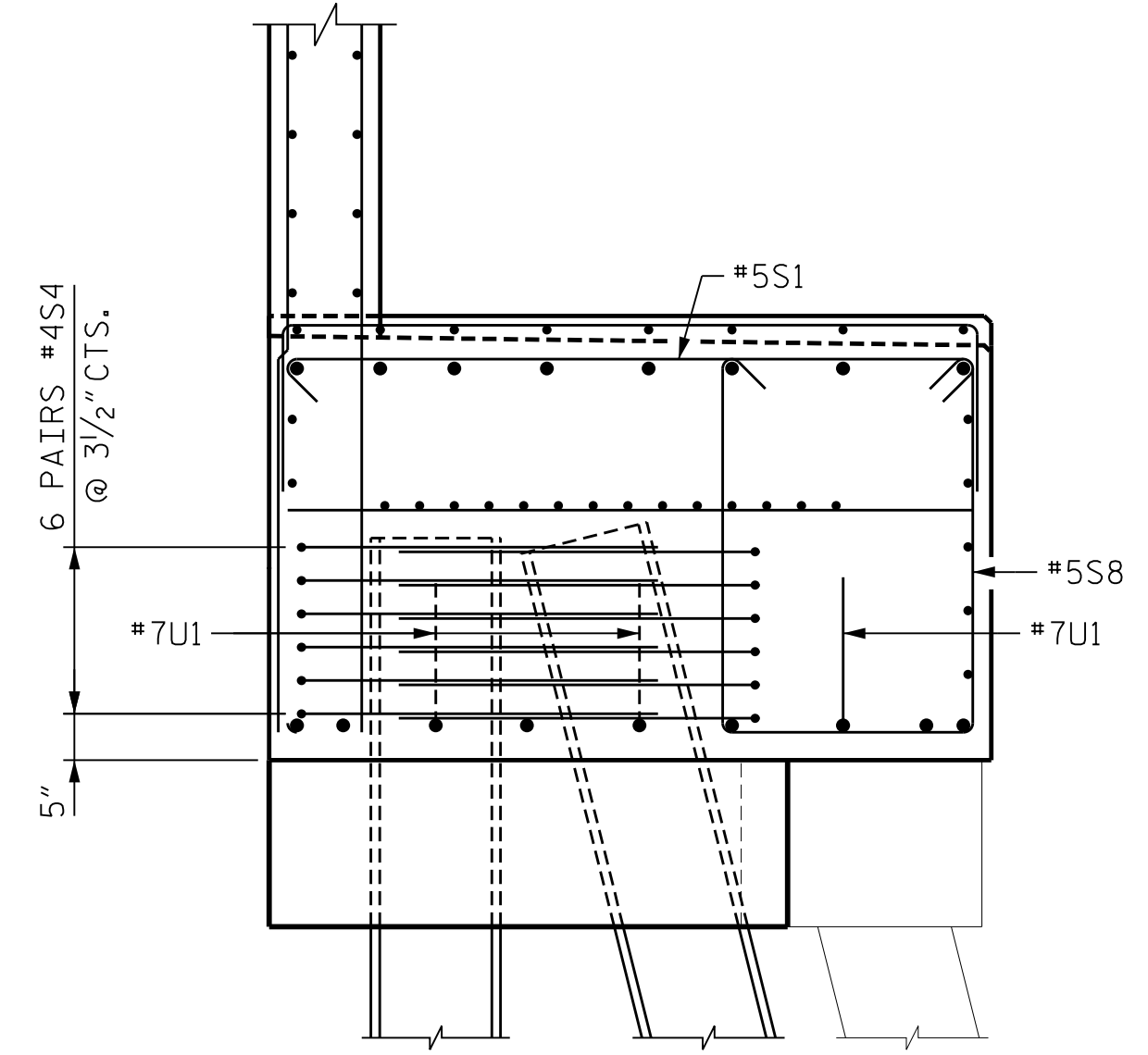
**PLAN OF STIRRUPS AND "U" BARS**  
(TOP & BOTTOM "B" BARS AND S1 BARS NOT SHOWN FOR CLARITY)



**SECTION D-D**  
SEE SECTION A-A ON "SUBSTRUCTURE END BENT 2"  
SHEET 4 OF 4 FOR MORE INFORMATION



**SECTION E-E**  
SEE SECTION A-A ON "SUBSTRUCTURE END BENT 2"  
SHEET 4 OF 4 FOR MORE INFORMATION

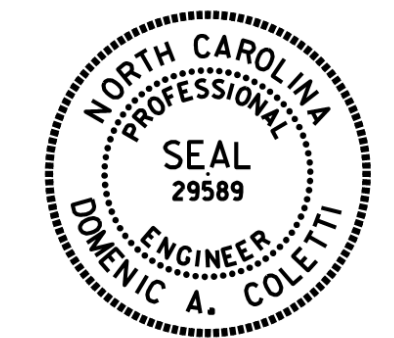


**SECTION F-F**  
SEE SECTION A-A ON "SUBSTRUCTURE END BENT 2"  
SHEET 4 OF 4 FOR MORE INFORMATION

PROJECT NO. U-2579AB  
FORSYTH COUNTY  
 STATION: 58+33.94 -Y15FLYCA-  
 SHEET 2 OF 4

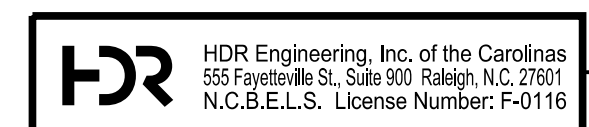
STATE OF NORTH CAROLINA  
 DEPARTMENT OF TRANSPORTATION  
 RALEIGH

**SUBSTRUCTURE  
 END BENT 2  
 PLAN AND ELEVATION**



*Dominic A. Coletti* 10/15/2021

REVISIONS						SHEET NO. 506-123
NO.	BY:	DATE:	NO.	BY:	DATE:	
1	--	--	3	--	--	TOTAL SHEETS 129
2	--	--	4	--	--	



**DOCUMENT NOT CONSIDERED FINAL  
 UNLESS ALL SIGNATURES COMPLETED**

PLOT DRIVER: NCDOT\_pdf\_color\_eng-50.ppt  
 USER: PPETERSO DATE: 10/14/2021  
 FILE: ...SUBSTR  
 PENTABLE: NCDOT\_STRUCTURES\_DEFAULT\_PEN.tbl  
 TIME: 5:25:27 PM

DES BY: <u>M. BARNES</u>	DATE: <u>07/19</u>	DWG BY: <u>B. PETERSON</u>	DATE: <u>08/19</u>
DES CHK: <u>J. EARNEST</u>	DATE: <u>07/19</u>	CHK BY: <u>J. EARNEST</u>	DATE: <u>08/19</u>