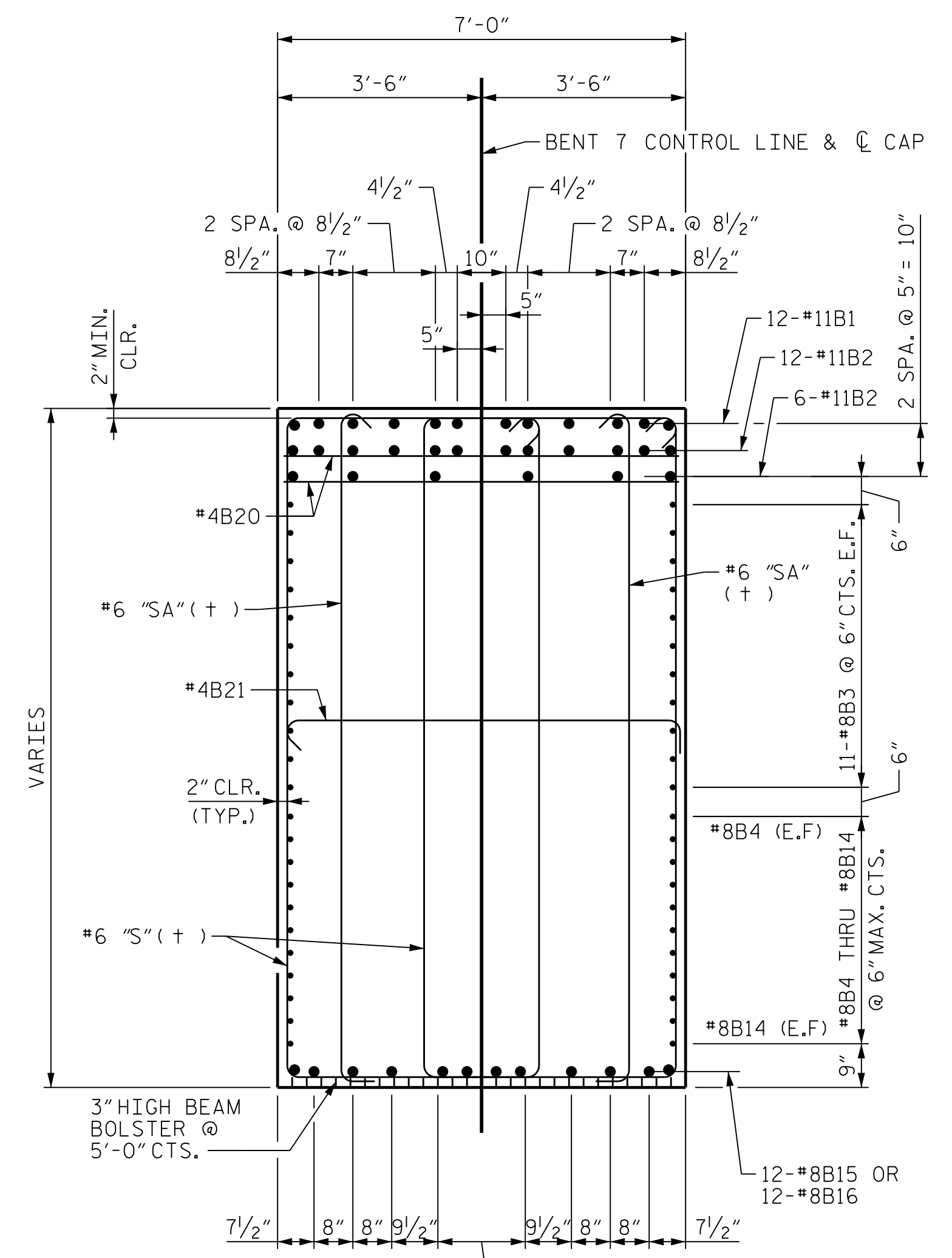
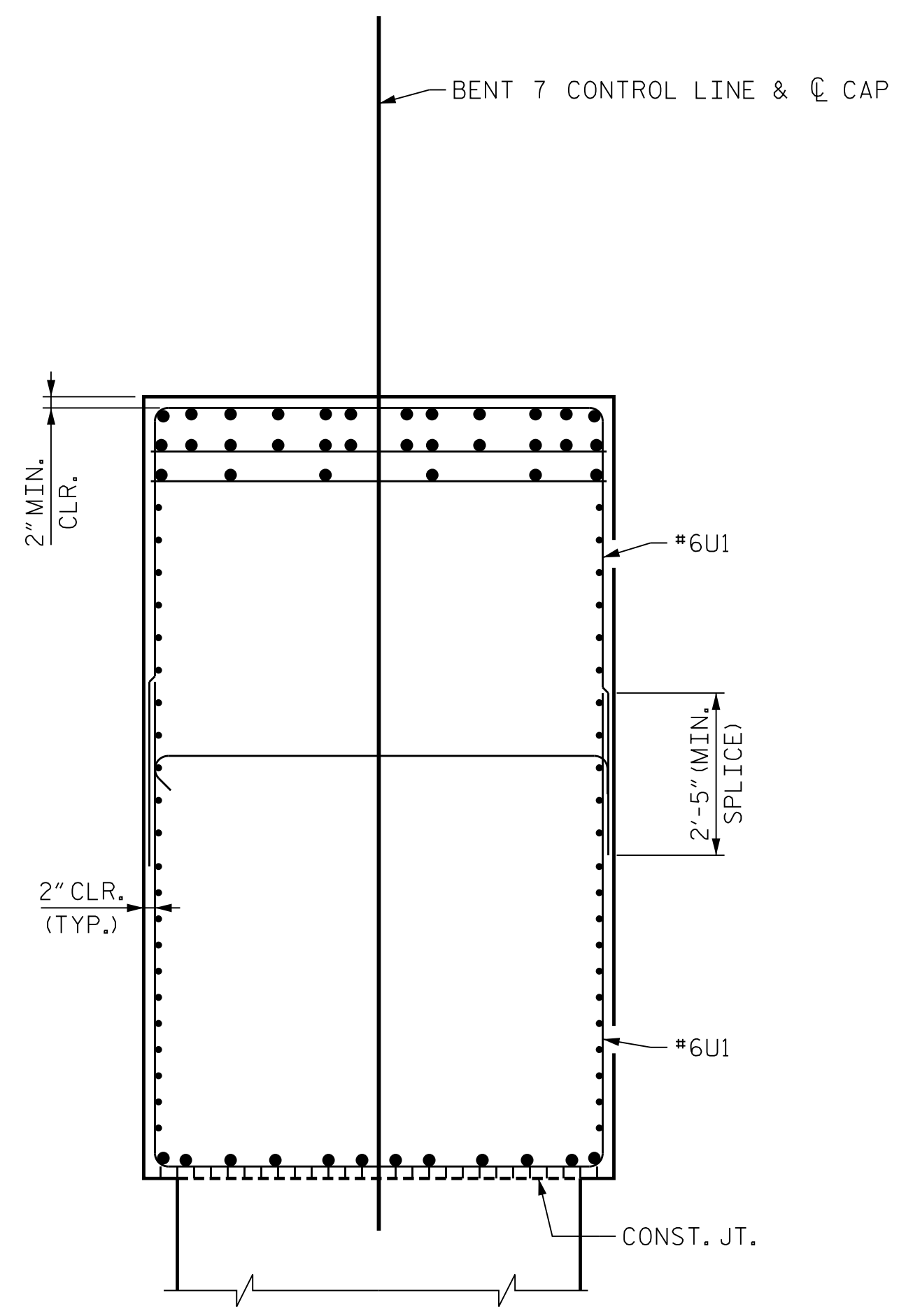


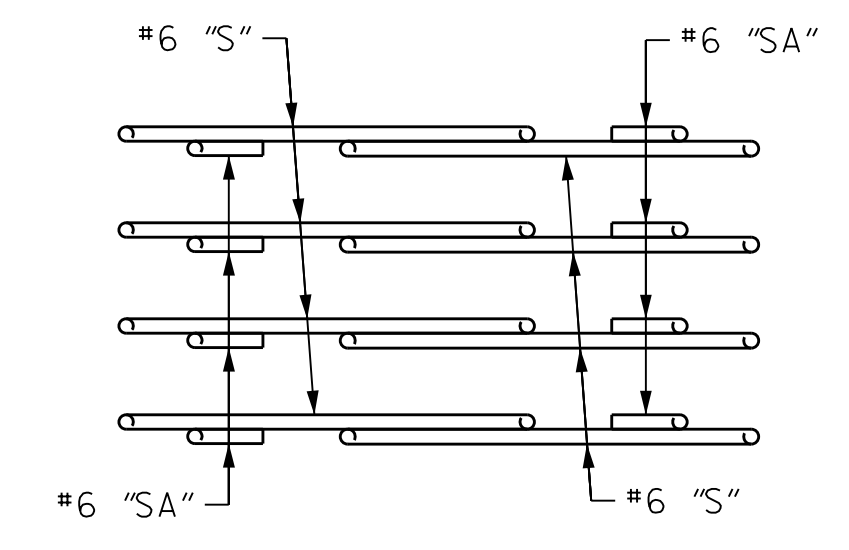
NOTE  
SEE SHEET 1 OF 5 FOR NOTES.



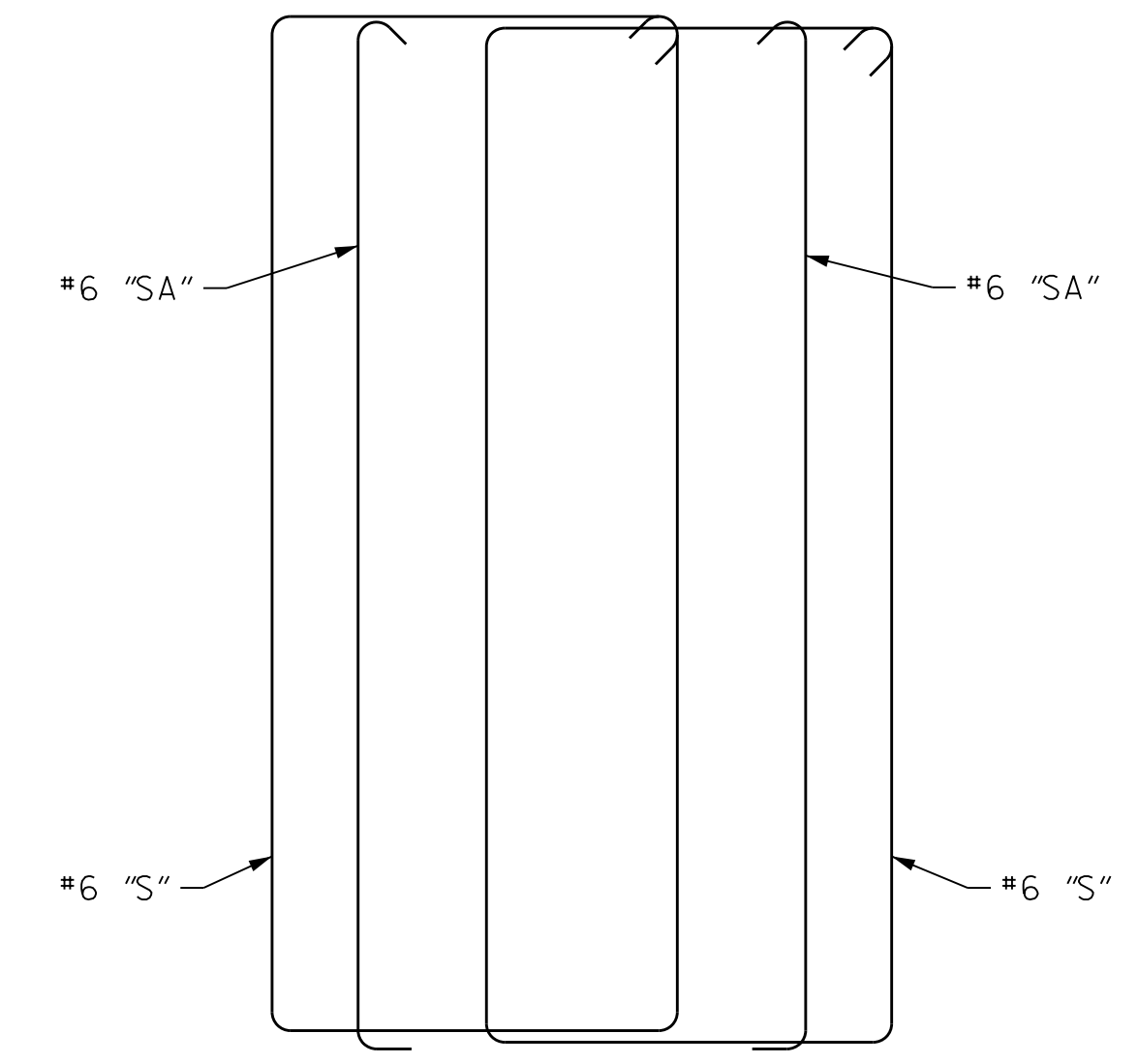
SECTION B-B  
(+) SEE "STIRRUP SET DETAIL"



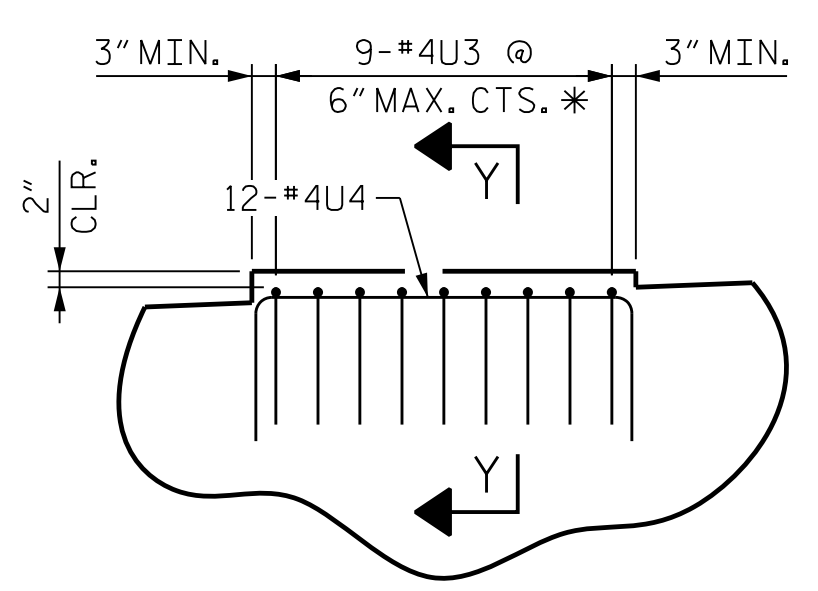
SECTION C-C  
COLUMN REINFORCING STEEL NOT SHOWN FOR CLARITY  
SEE SECTION B-B FOR ADDITIONAL INFORMATION



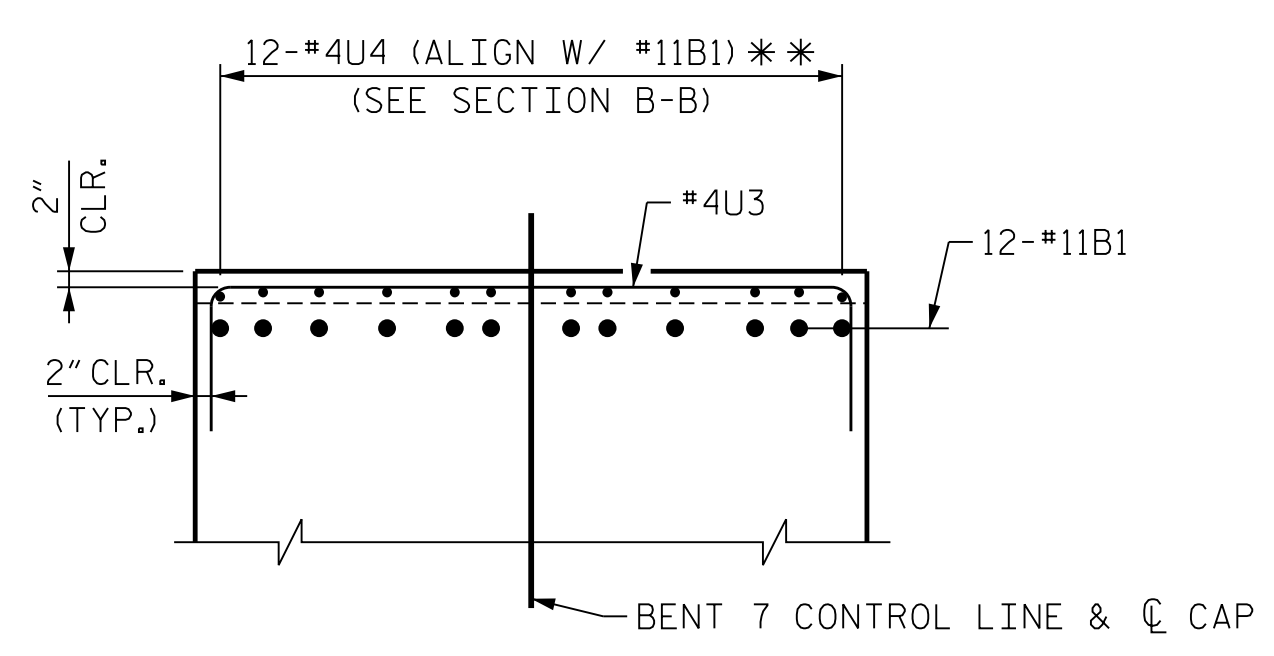
PLAN  
(SHOWING BAR PLACEMENT)



ELEVATION  
(SCHEMATIC)  
STIRRUP SET DETAIL



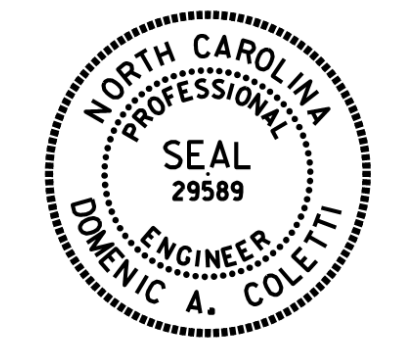
DETAIL "B"



SECTION Y-Y

\* NOTE:  
#4U3 BARS MAY BE SHIFTED SLIGHTLY AS NECESSARY TO CLEAR ANCHOR BOLTS.  
\*\* NOTE:  
#4U4 BARS MAY BE SHIFTED AS NECESSARY TO CLEAR #11B1 AND #11B2 BARS.

PROJECT NO. U-2579AB  
FORSYTH COUNTY  
STATION: 58+33.94 -Y15FLYCA-  
SHEET 4 OF 5

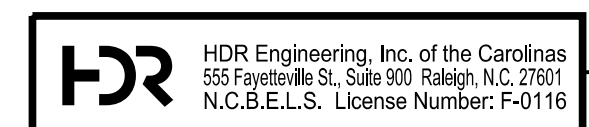


Dominic A. Coletti 10/15/2021

STATE OF NORTH CAROLINA  
DEPARTMENT OF TRANSPORTATION  
RALEIGH

SUBSTRUCTURE  
BENT 7  
CAP DETAILS

REVISIONS						SHEET NO.	
NO.	BY:	DATE:	NO.	BY:	DATE:	TOTAL SHEETS	
1	--	--	3	--	--	129	
2	--	--	4	--	--	129	



DOCUMENT NOT CONSIDERED FINAL UNLESS ALL SIGNATURES COMPLETED

PLOT DRIVER: NCDOT.pdf\_color\_eng-50dpi  
 USER: PPETERSO DATE: 10/14/2021  
 TIME: 5:25:07 PM  
 FILE: ...SUBSTR

DES BY: K. OLIVER	DATE: 10/19	DWG BY: B. PETERSON	DATE: 12/19
DES CHK: M. WERNER	DATE: 10/19	CHK BY: N. LIU	DATE: 01/20