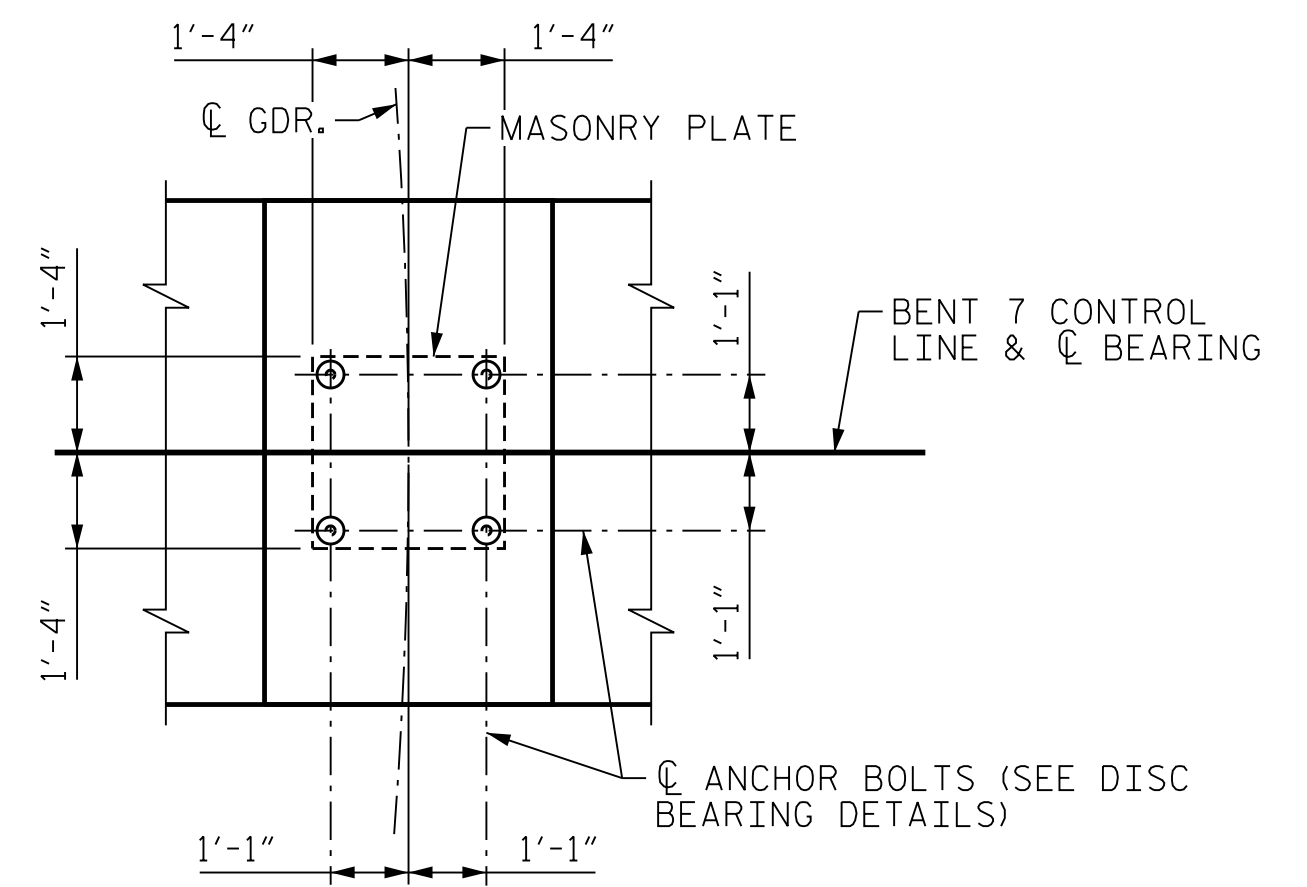
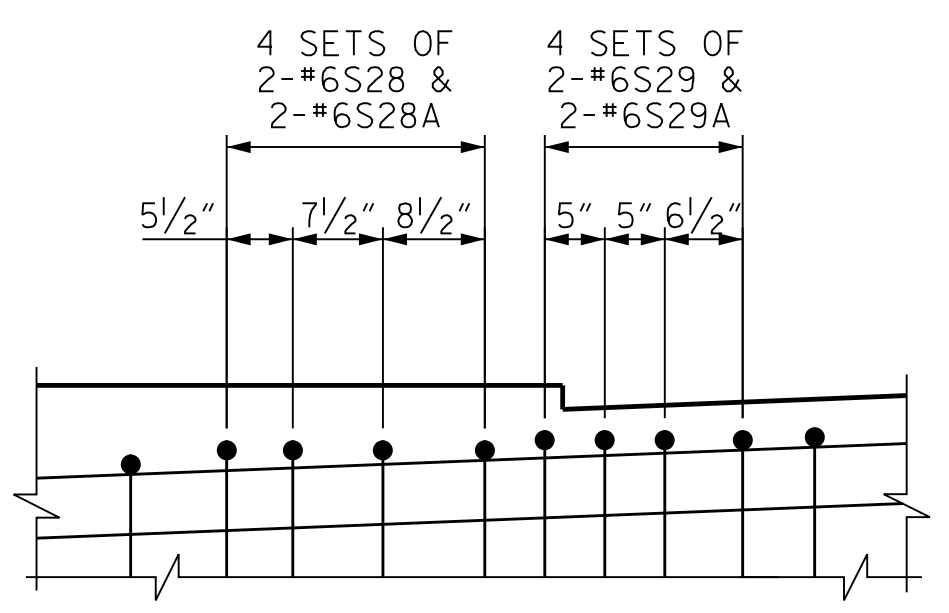


PLAN OF CAP

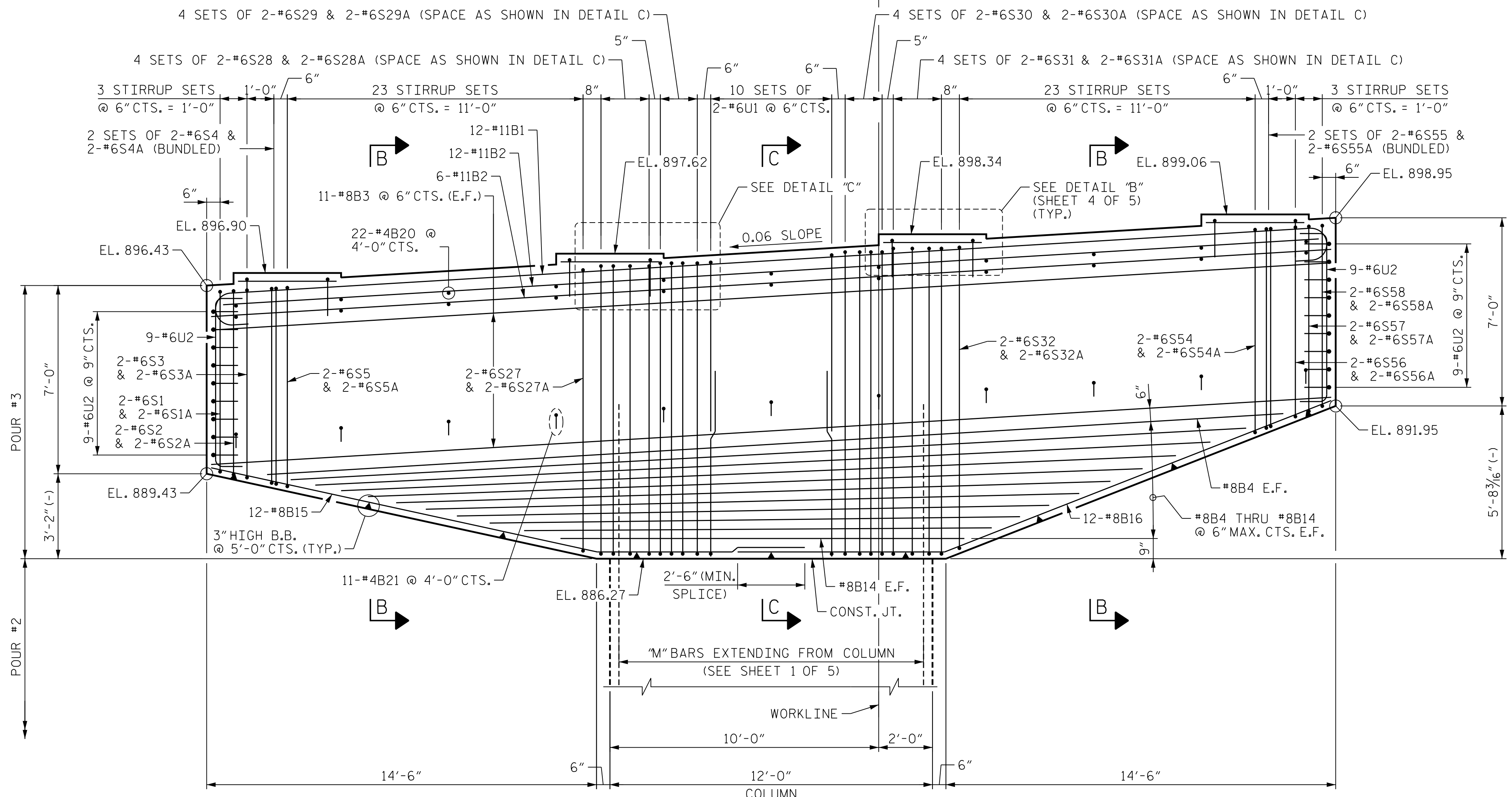


DETAIL "A"
(TYP. @ EA. BEARING)

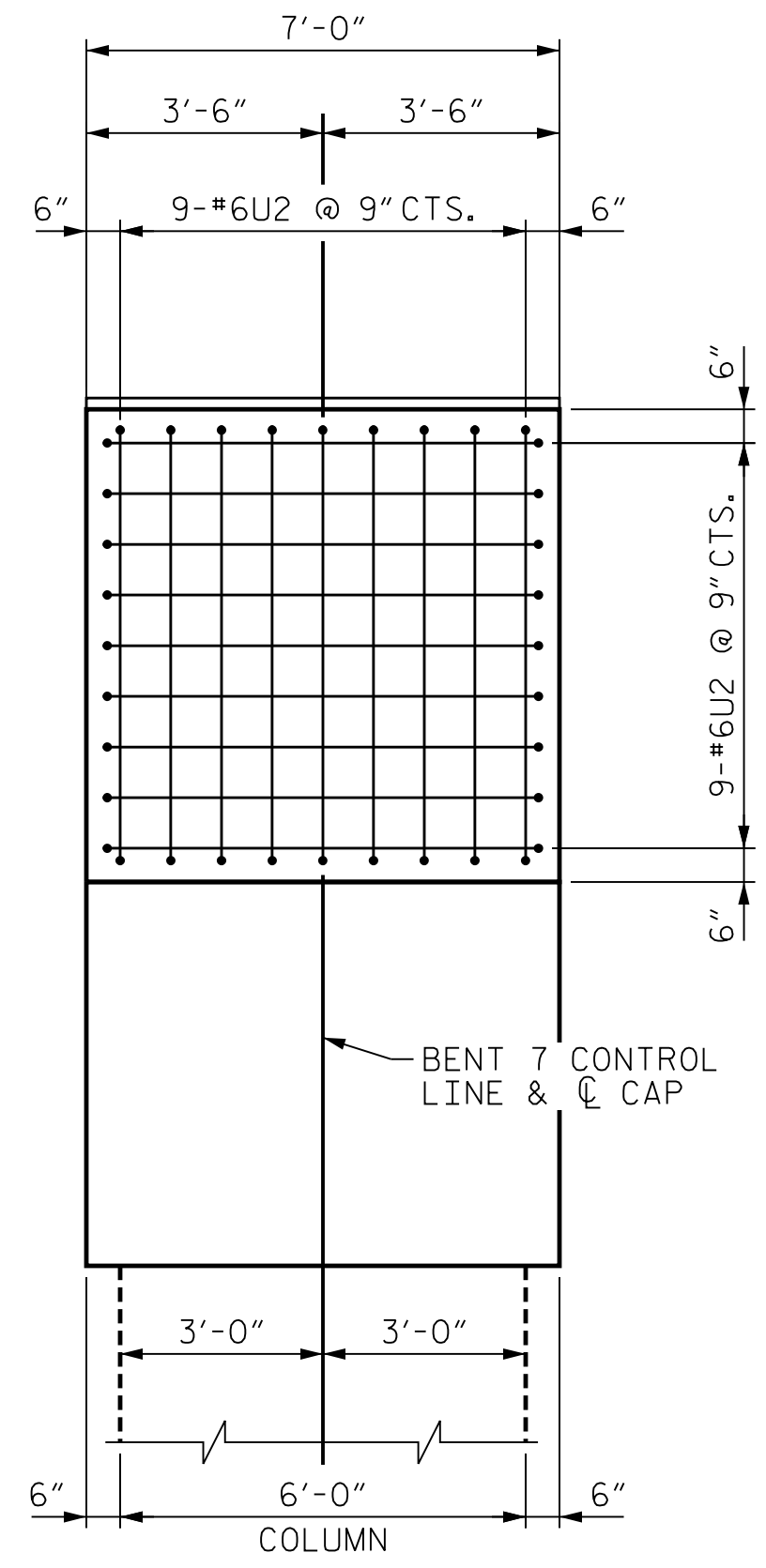


DETAIL "C"

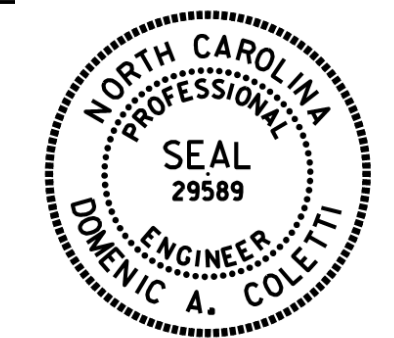
DETAIL SHOWN AT LEFT SIDE OF CAP (SPACING OF STIRRUPS MIRRORRED AT RIGHT SIDE OF CAP WITH BARS #6S30/#6S30A AND #6S31/#6S31A AS SHOWN ON THE ELEVATION)



ELEVATION OF CAP



END VIEW



PROJECT NO. U-2579AB
 FORSYTH COUNTY
 STATION: 58+33.94 -Y15FLYCA-
 SHEET 3 OF 5

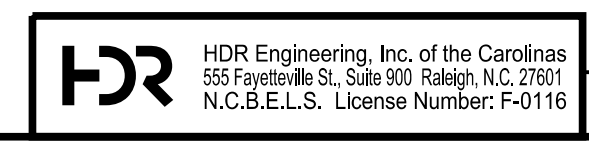
STATE OF NORTH CAROLINA
 DEPARTMENT OF TRANSPORTATION
 RALEIGH

SUBSTRUCTURE
 BENT 7
 BENT CAP PLAN
 & ELEVATION

REVISIONS						SHEET NO. S06-119
NO.	BY:	DATE:	NO.	BY:	DATE:	
1	--	--	3	--	--	TOTAL SHEETS 129
2	--	--	4	--	--	

PLOT DRIVER: NCDOT_pdf_color_eng-50dpi
 USER: PPETERSO DATE: 10/14/2021 TIME: 5:24:57 PM
 FILE: ...SUBSTR

DES BY: K. OLIVER	DATE: 10/19	DWG BY: B. PETERSON	DATE: 12/19
DES CHK: M. WERNER	DATE: 10/19	CHK BY: N. LIU	DATE: 01/20



DOCUMENT NOT CONSIDERED FINAL
 UNLESS ALL SIGNATURES COMPLETED