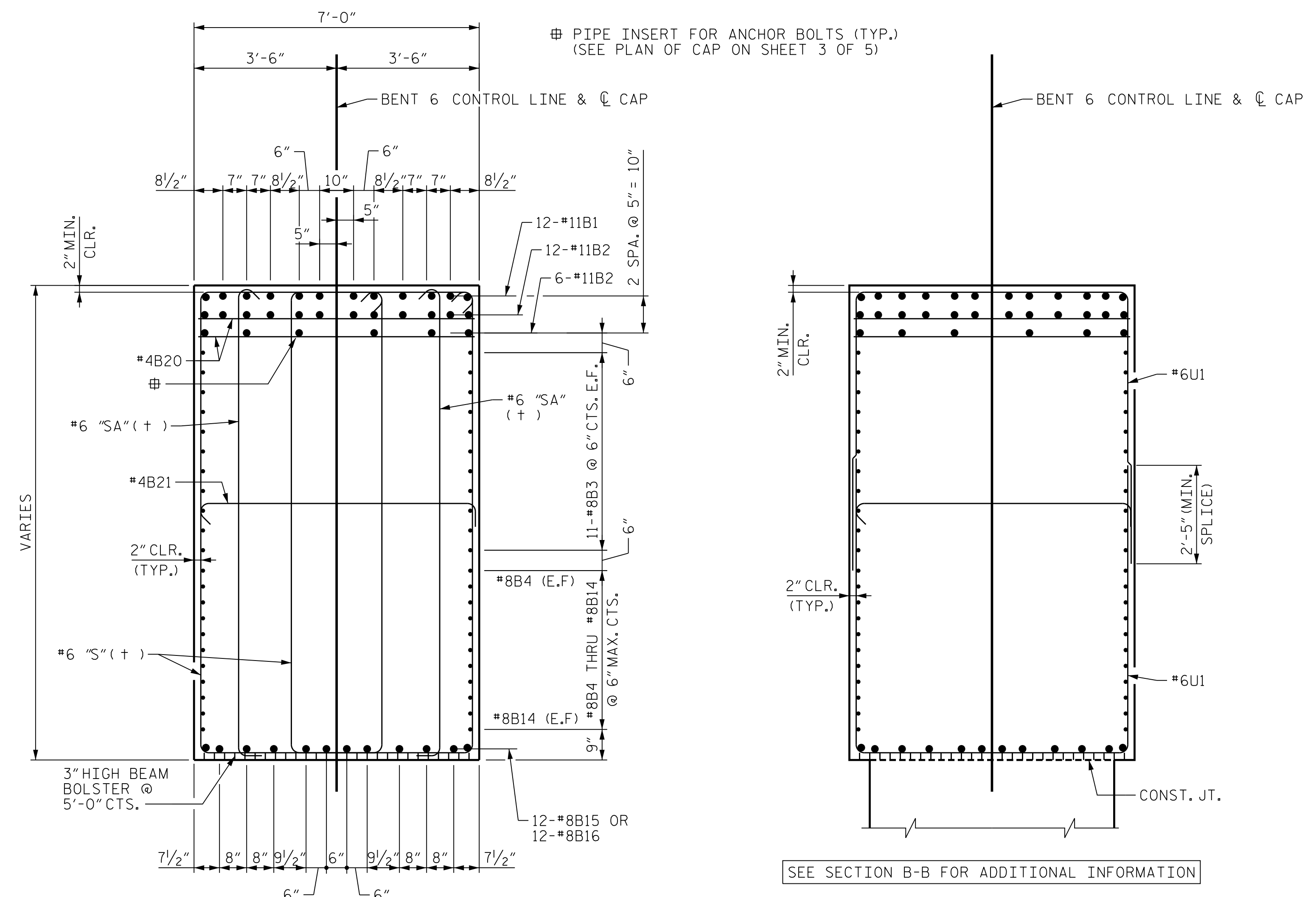
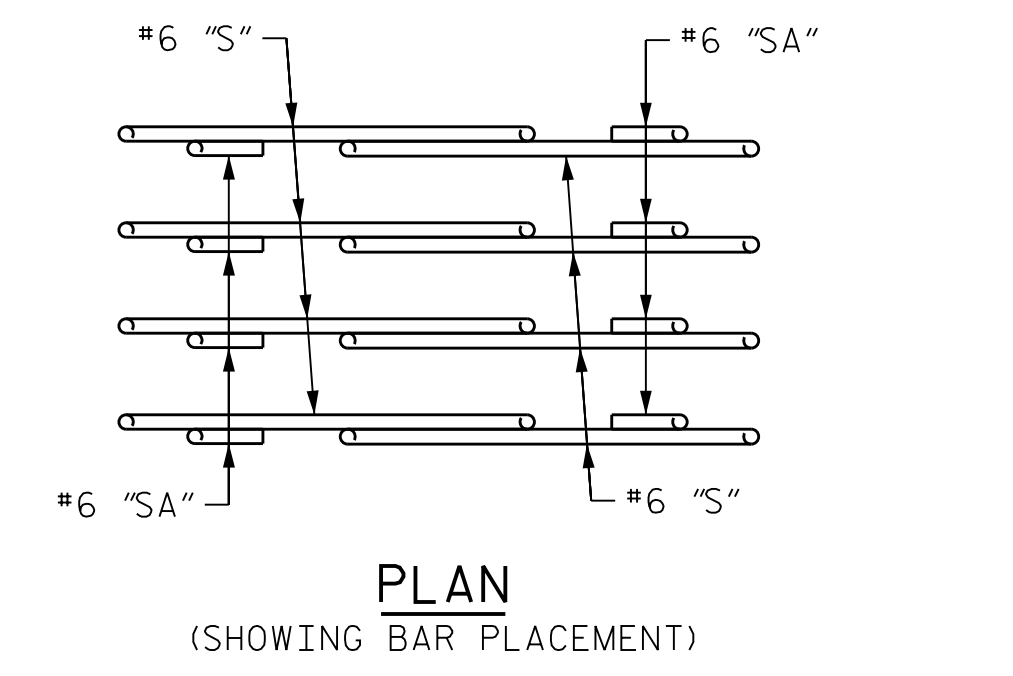


NOTE
SEE SHEET 1 OF 5 FOR NOTES.

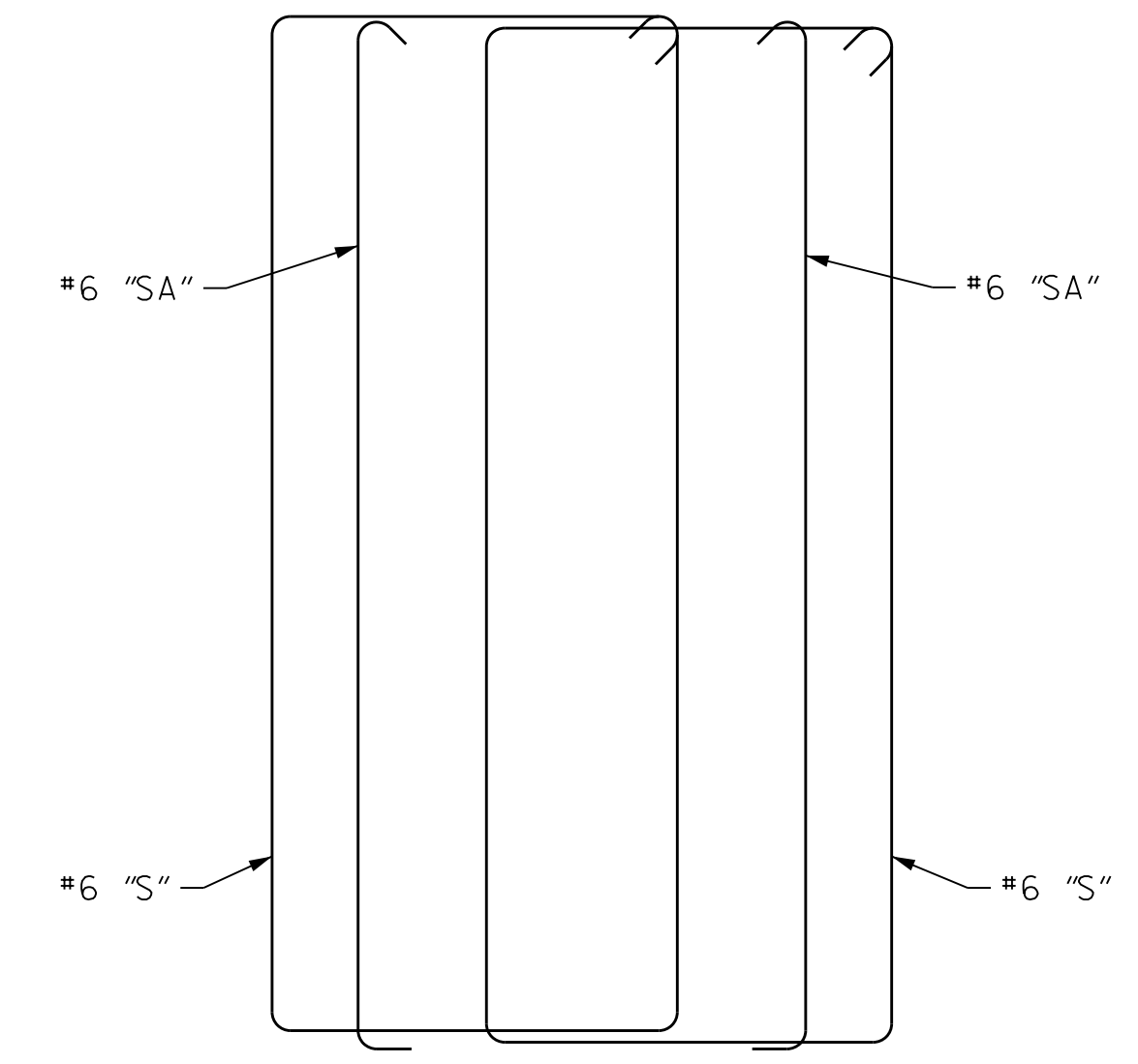


SECTION B-B
(+) SEE "STIRRUP SET DETAIL"

SECTION C-C
COLUMN REINFORCING STEEL NOT SHOWN FOR CLARITY

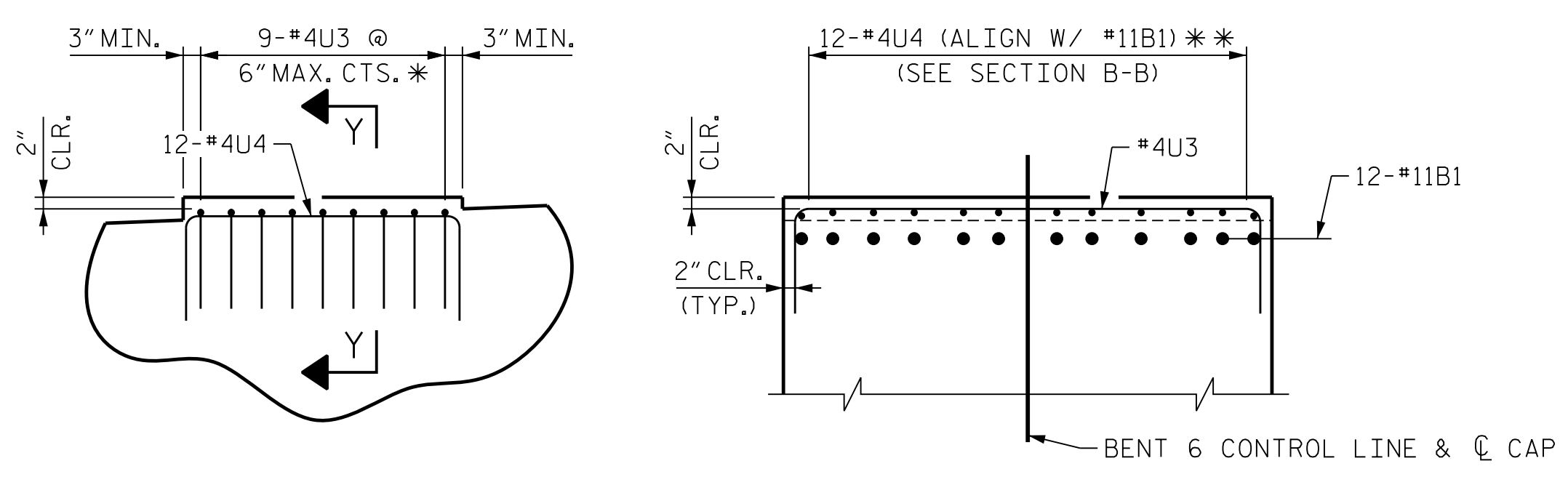


PLAN
(SHOWING BAR PLACEMENT)



ELEVATION
(SCHEMATIC)

STIRRUP SET DETAIL



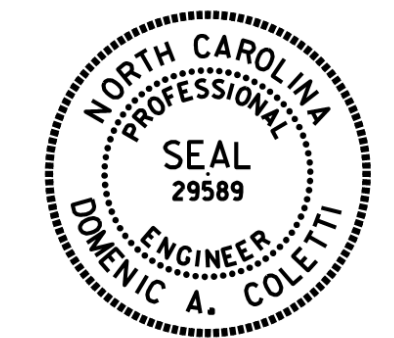
DETAIL "B"

SECTION Y-Y

* NOTE:
#4U3 BARS MAY BE SHIFTED SLIGHTLY AS NECESSARY TO CLEAR PIPE INSERTS FOR ANCHOR BOLTS.

** NOTE:
#4U4 BARS MAY BE SHIFTED AS NECESSARY TO CLEAR #11B1 AND #11B2 BARS.

PROJECT NO. U-2579AB
 FORSYTH COUNTY
 STATION: 58+33.94 -Y15FLYCA-
 SHEET 4 OF 5



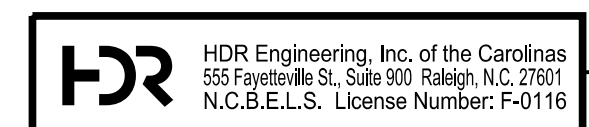
10/15/2021

STATE OF NORTH CAROLINA
 DEPARTMENT OF TRANSPORTATION
 RALEIGH

SUBSTRUCTURE
 BENT 6
 BENT CAP DETAILS

REVISIONS					
NO.	BY:	DATE:	NO.	BY:	DATE:
1	--	--	3	--	--
2	--	--	4	--	--

SHEET NO. 506-115
 TOTAL SHEETS 129



DOCUMENT NOT CONSIDERED FINAL UNLESS ALL SIGNATURES COMPLETED

PLOT DRIVER: NCDOT...
 USER: PPETERSO
 DATE: 10/14/2021
 TIME: 5:24:13 PM
 FILE: ...SUBSTR

DES BY: K. OLIVER	DATE: 10/19	DWG BY: B. PETERSON	DATE: 12/19
DES CHK: M. WERNER	DATE: 10/19	CHK BY: N. LIU	DATE: 01/20