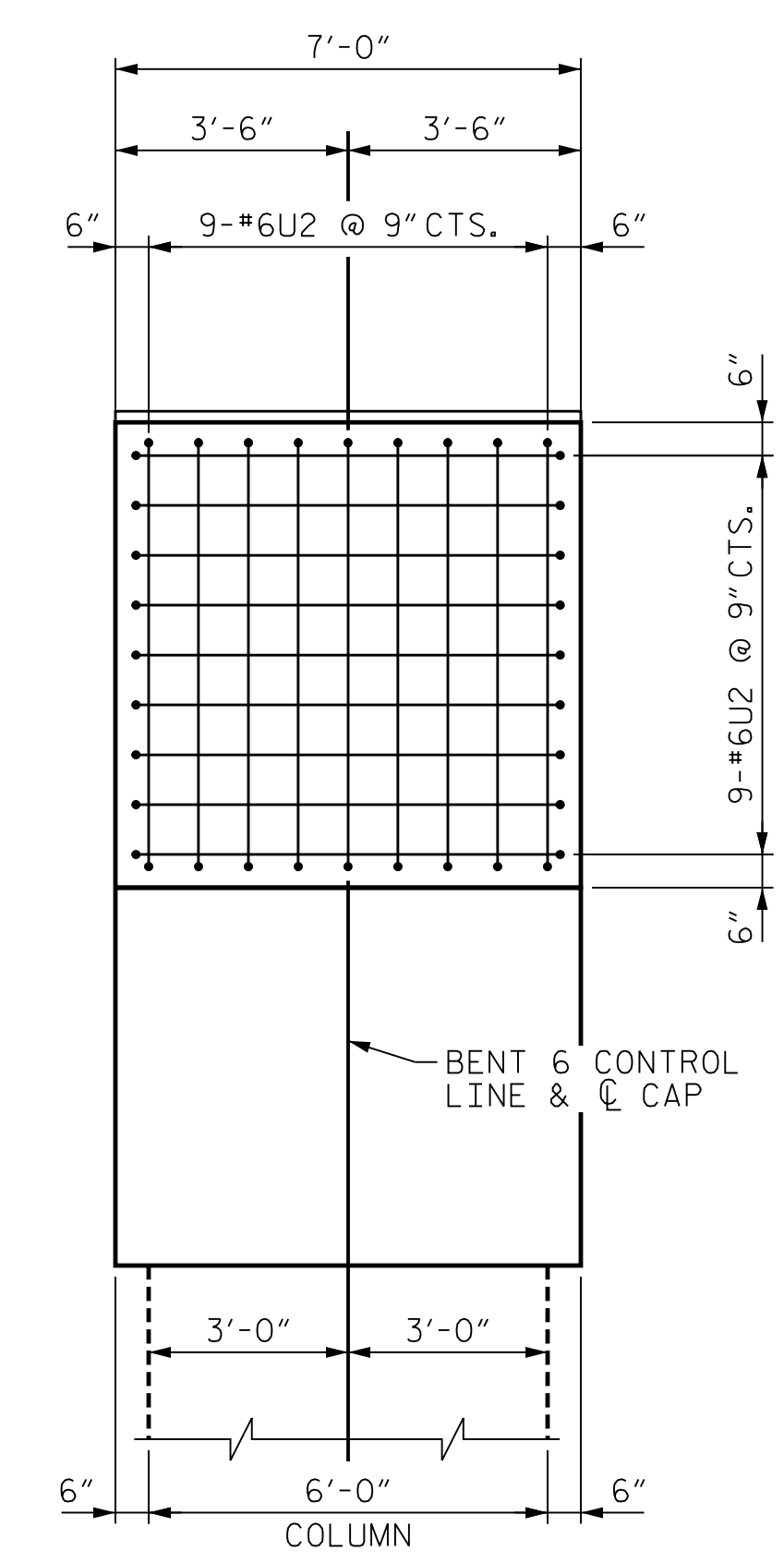
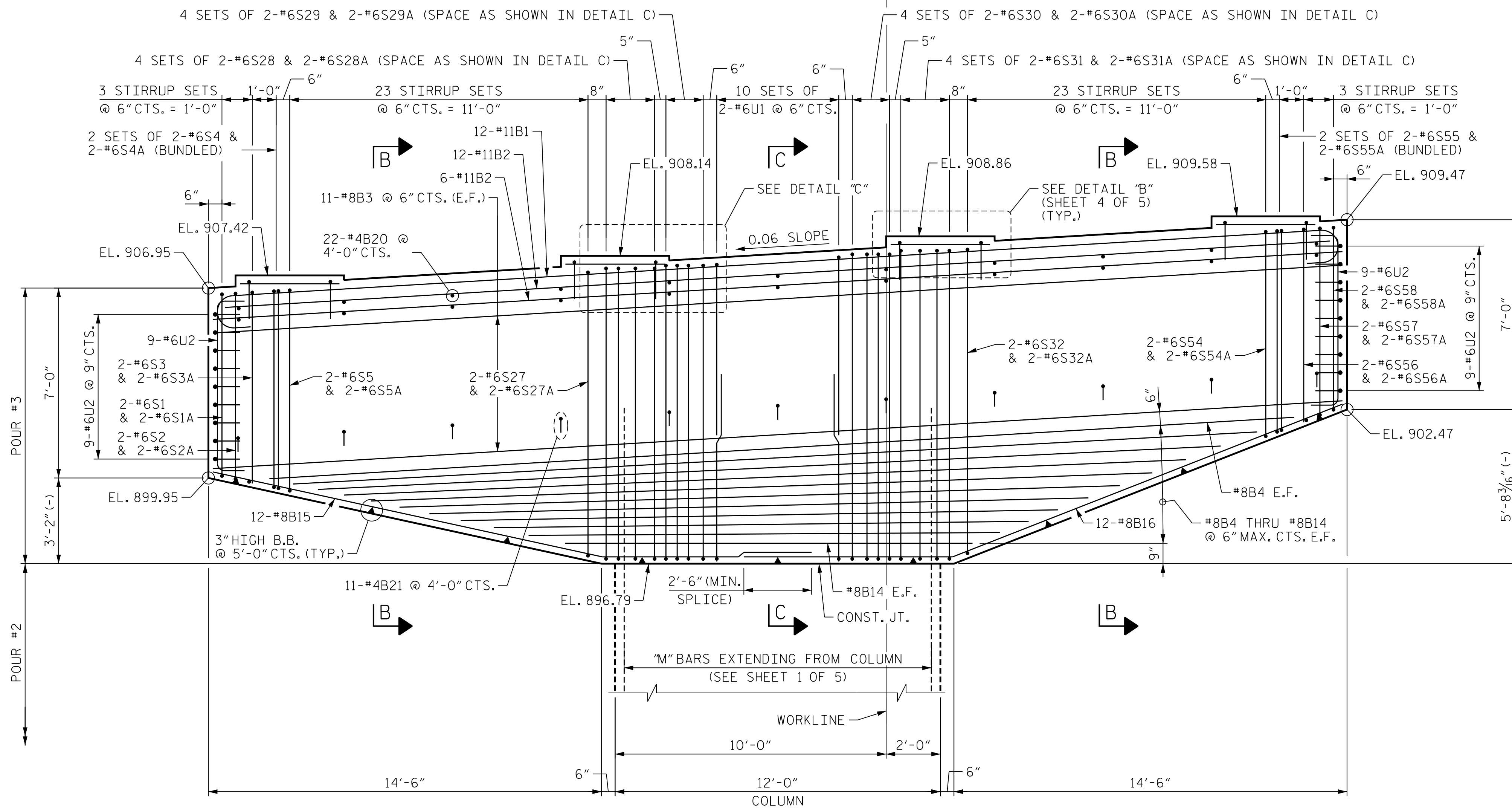
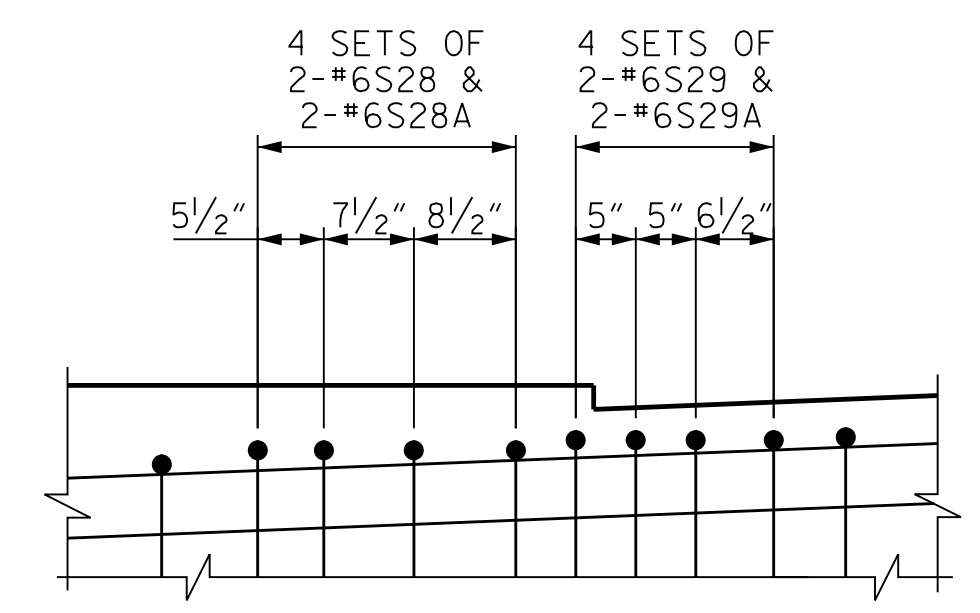
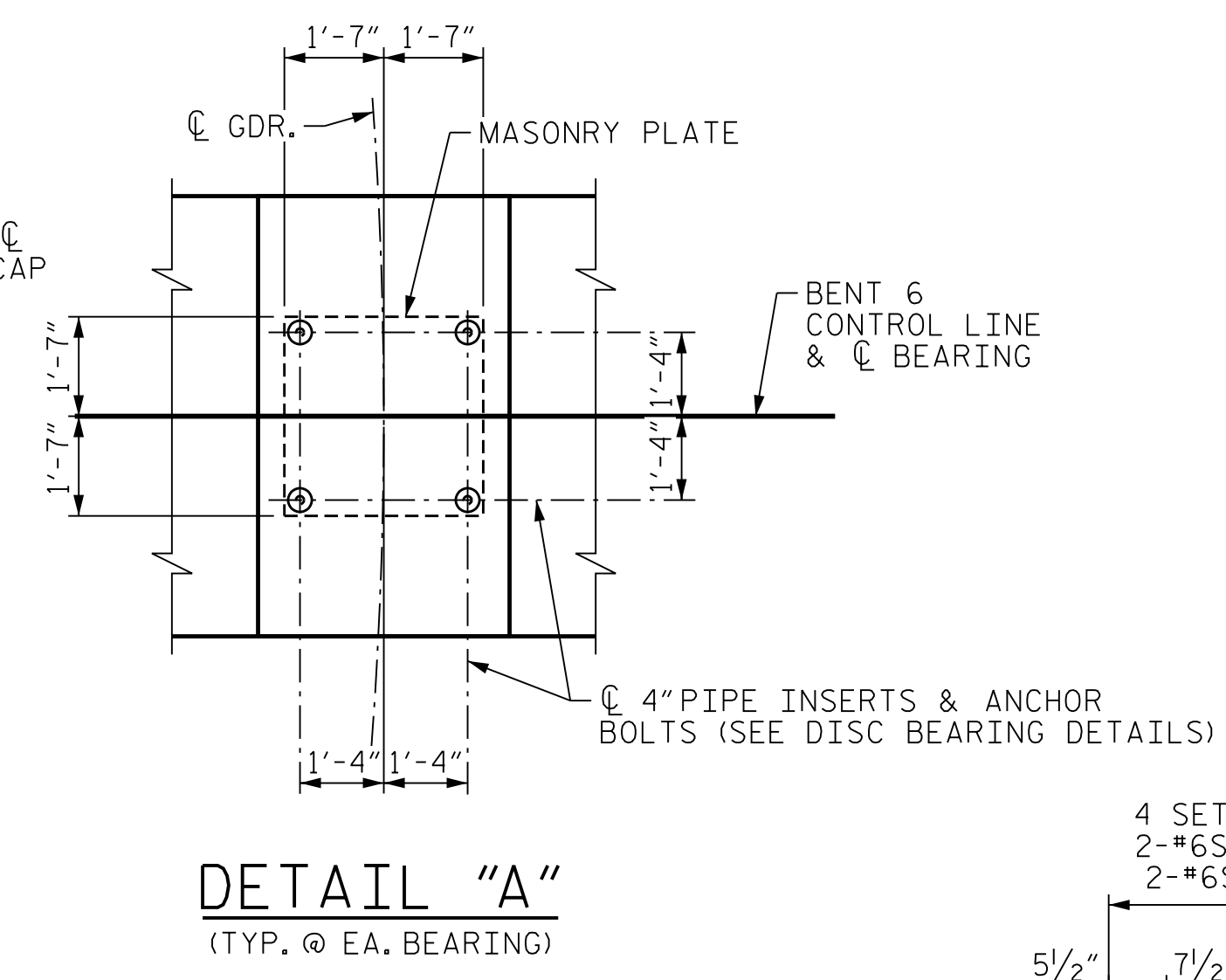
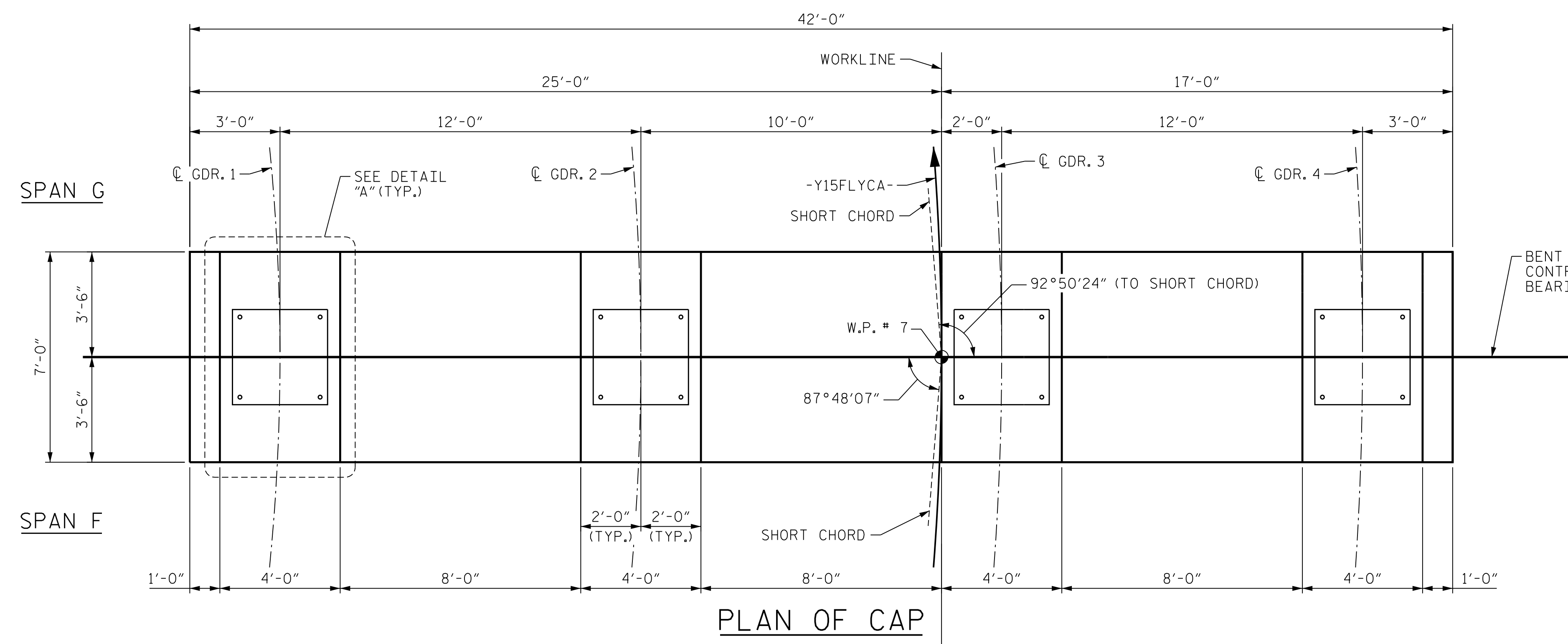


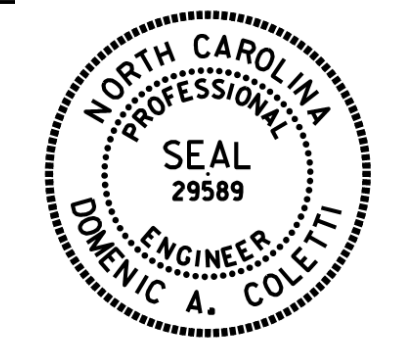
NOTES
FOR SECTIONS B-B AND C-C, SEE
"SUBSTRUCTURE BENT 6 BENT CAP DETAILS"
SHEET 4 OF 5.
FOR ADDITIONAL NOTES, SEE SHEET 1 OF 5.



DETAIL SHOWN AT LEFT SIDE OF CAP (SPACING OF STIRRUPS MIRRORED AT RIGHT SIDE OF CAP WITH BARS #6S30/#6S30A AND #6S31/#6S31A AS SHOWN ON THE ELEVATION)

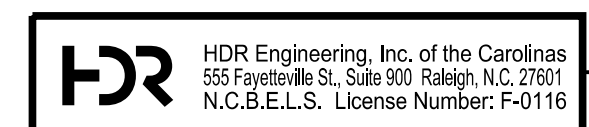
PROJECT NO. U-2579AB
FORSYTH COUNTY
STATION: 58+33.94 -Y15FLYCA-
SHEET 3 OF 5

STATE OF NORTH CAROLINA
DEPARTMENT OF TRANSPORTATION
RALEIGH
SUBSTRUCTURE
BENT 6
BENT CAP PLAN
& ELEVATION



10/15/2021

Table with columns: DES BY, DATE, DWG BY, DATE, DES CHK, DATE, CHK BY, DATE. Includes names like K. OLIVER, B. PETERSON, M. WERNER, N. LIU and dates like 10/19, 12/19, 01/20.



DOCUMENT NOT CONSIDERED FINAL UNLESS ALL SIGNATURES COMPLETED

Table with columns: NO., BY, DATE, NO., BY, DATE. Includes revision numbers 1, 2, 3, 4 and dates.

SHEET NO. S06-114 TOTAL SHEETS 129

PLOT DRIVER: NCDOT... USER: PPETERSO... DATE: 10/14/2021... FILE: ...SUBSTR