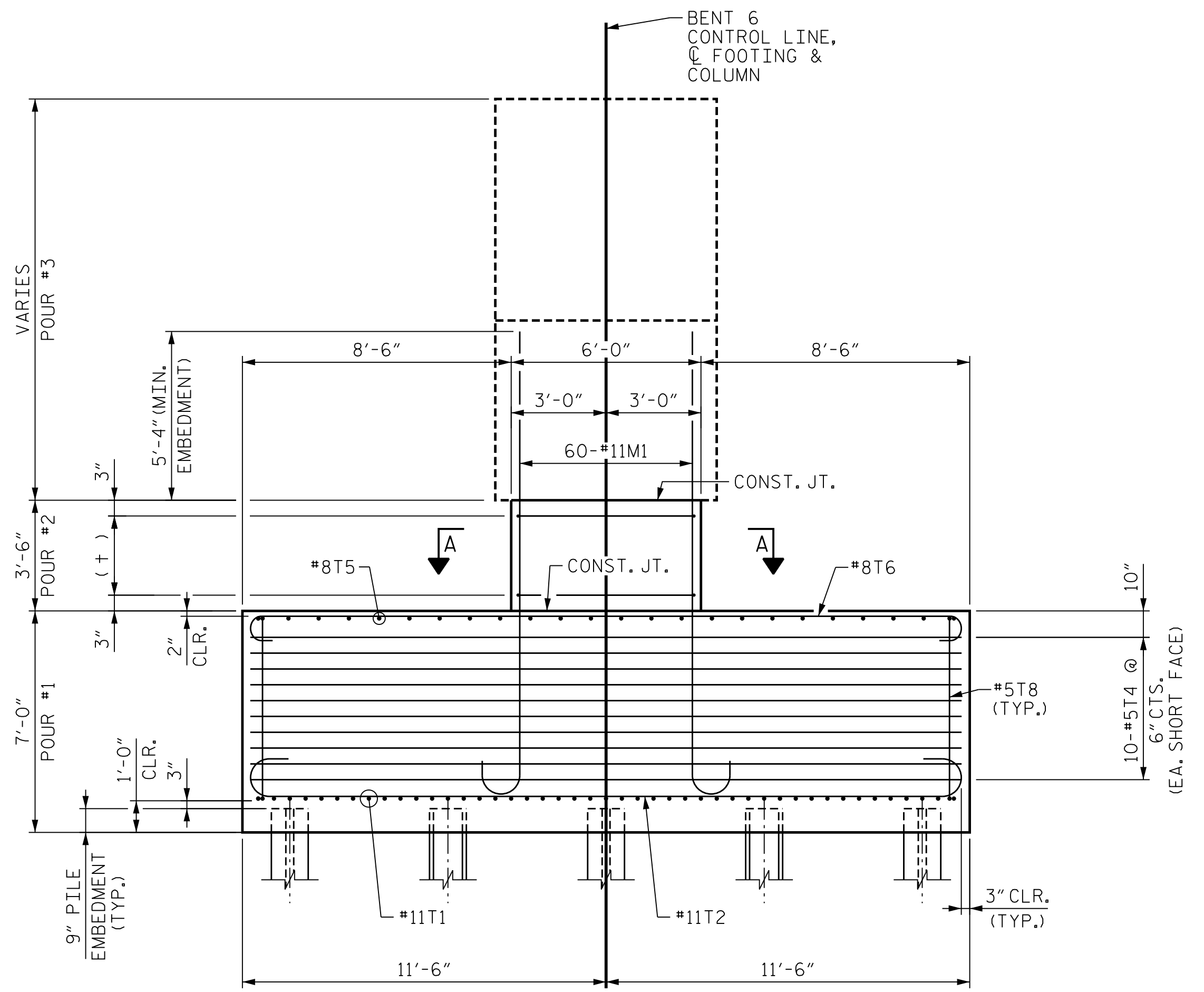


FRONT ELEVATION

+ = 7 SETS OF #5 TIES
 @ 6" MAX. CTS.
 (1 SET = 2-#5S100
 & 3-#5S101 *)

* INVERT ORIENTATION
 OF ALTERNATE #5S101
 TIES



END ELEVATION

NOTES

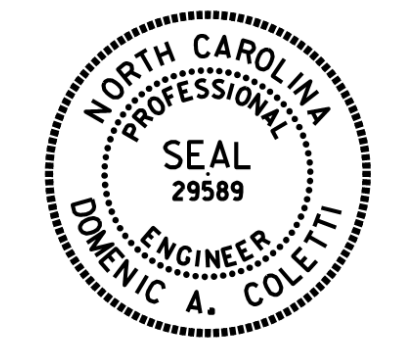
FOR FOOTING PLAN AND SECTION A-A, SEE "SUBSTRUCTURE BENT 6 FOOTING & COLUMN DETAILS", SHEET 2 OF 5.

FOR DETAILS OF BENT CAP, SEE "SUBSTRUCTURE BENT 6 BENT CAP PLAN AND ELEVATION", SHEET 3 OF 5 AND "SUBSTRUCTURE BENT 6 BENT CAP DETAILS", SHEET 4 OF 5.

FOR ADDITIONAL NOTES, SEE "SUBSTRUCTURE BENT 1 ELEVATIONS", SHEET 1 OF 6.

PROJECT NO. U-2579AB
 FORSYTH COUNTY
 STATION: 58+33.94 -Y15FLYCA-

SHEET 1 OF 5

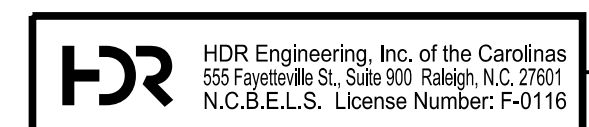


Dominic A. Coletti 10/15/2021

STATE OF NORTH CAROLINA
 DEPARTMENT OF TRANSPORTATION
 RALEIGH

**SUBSTRUCTURE
 BENT 6
 ELEVATIONS**

REVISIONS						SHEET NO. 506-112 TOTAL SHEETS 129
NO.	BY:	DATE:	NO.	BY:	DATE:	
1	--	--	3	--	--	
2	--	--	4	--	--	



**DOCUMENT NOT CONSIDERED FINAL
 UNLESS ALL SIGNATURES COMPLETED**

PLOT DRIVER: NCDOT_pdf_color_eng-50.ppt
 USER: PPETERSO DATE: 10/14/2021
 PENTABLE: NCDOT STRUCTURES DEFAULT PEN.tbl
 TIME: 5:23:42 PM
 FILE: ...SUBSTR

DES BY: <u>K. OLIVER</u>	DATE: <u>11/19</u>	DWG BY: <u>B. PETERSON</u>	DATE: <u>12/19</u>
DES CHK: <u>N. LIU</u>	DATE: <u>11/19</u>	CHK BY: <u>N. LIU</u>	DATE: <u>01/20</u>