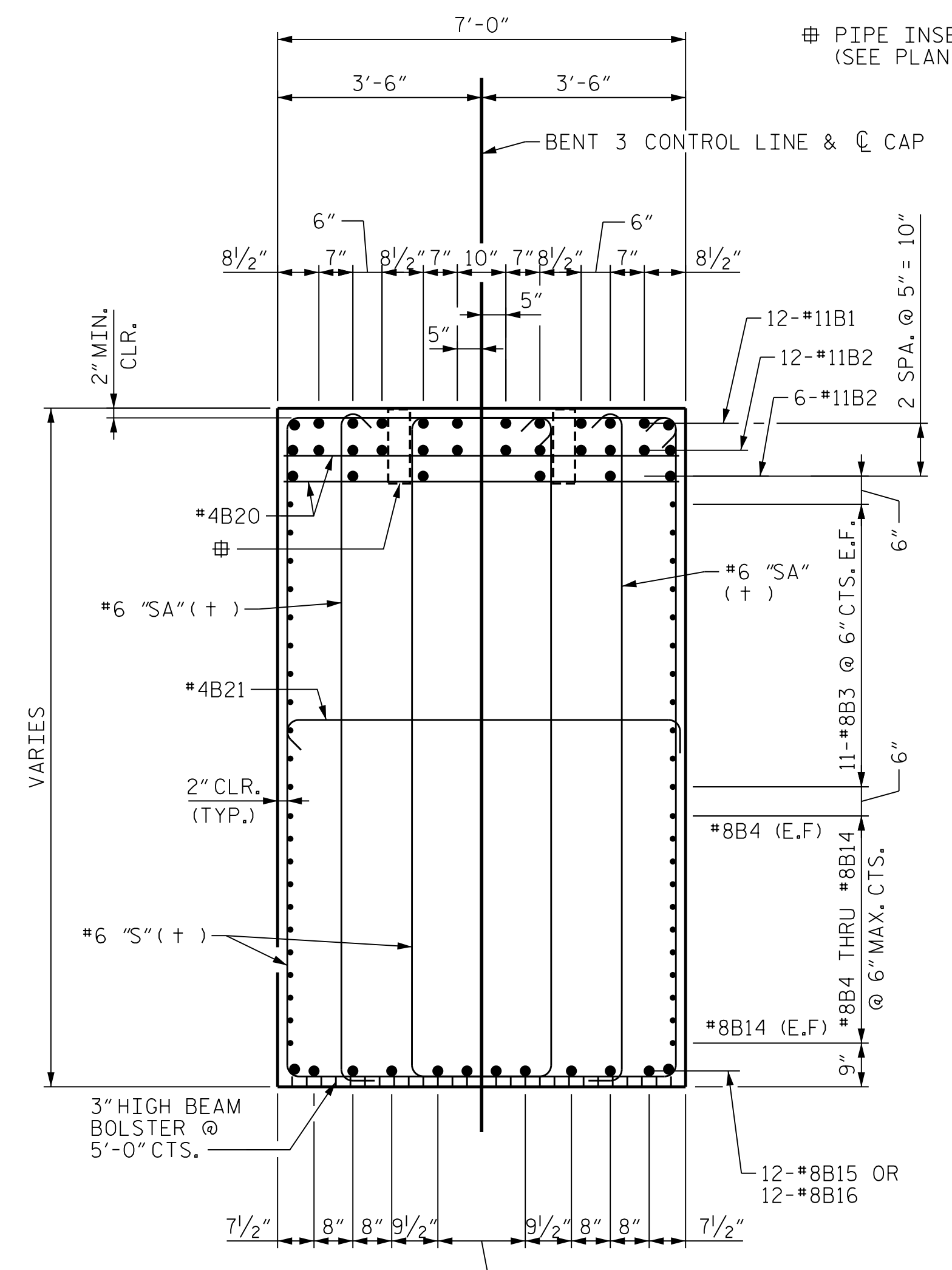
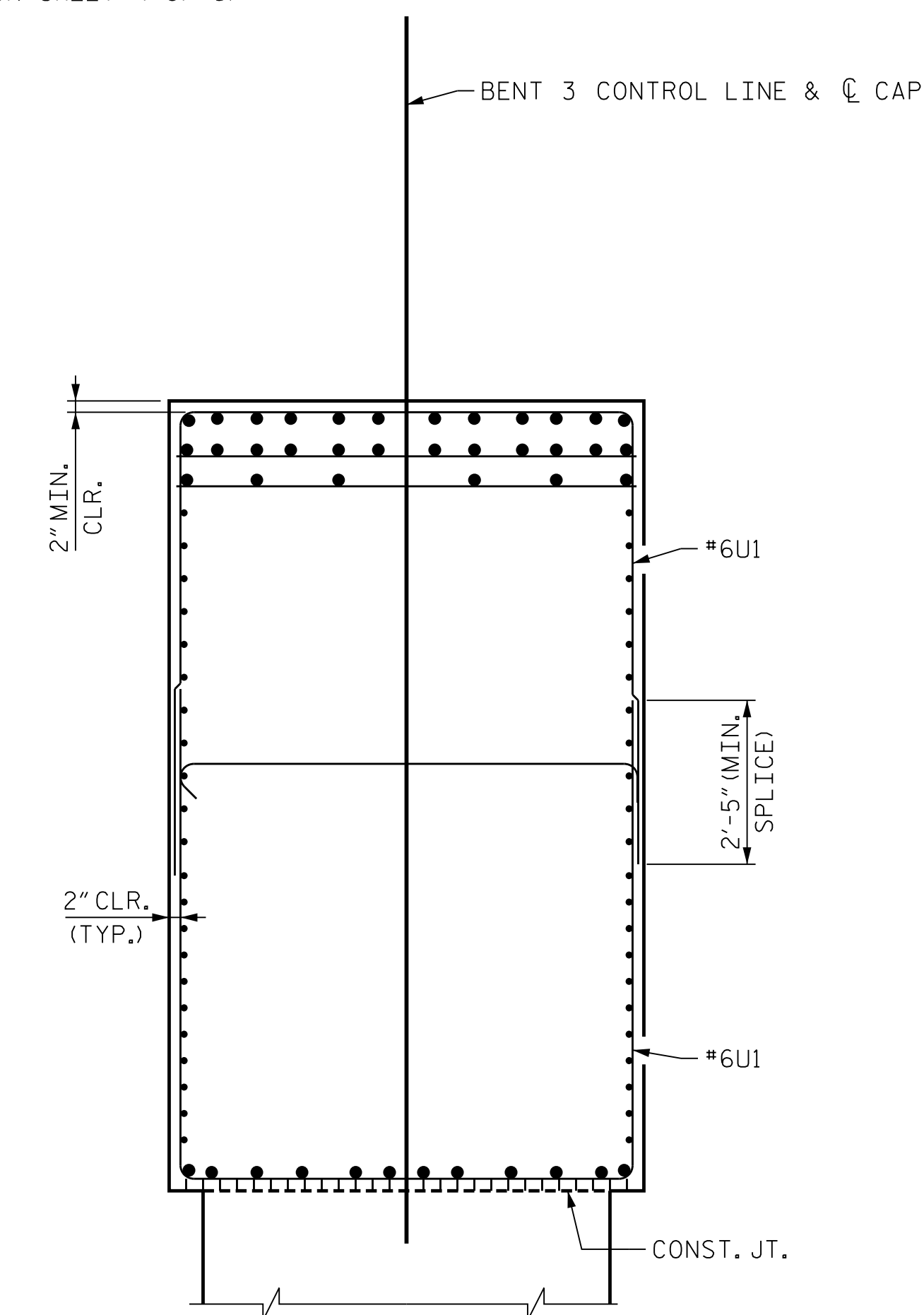


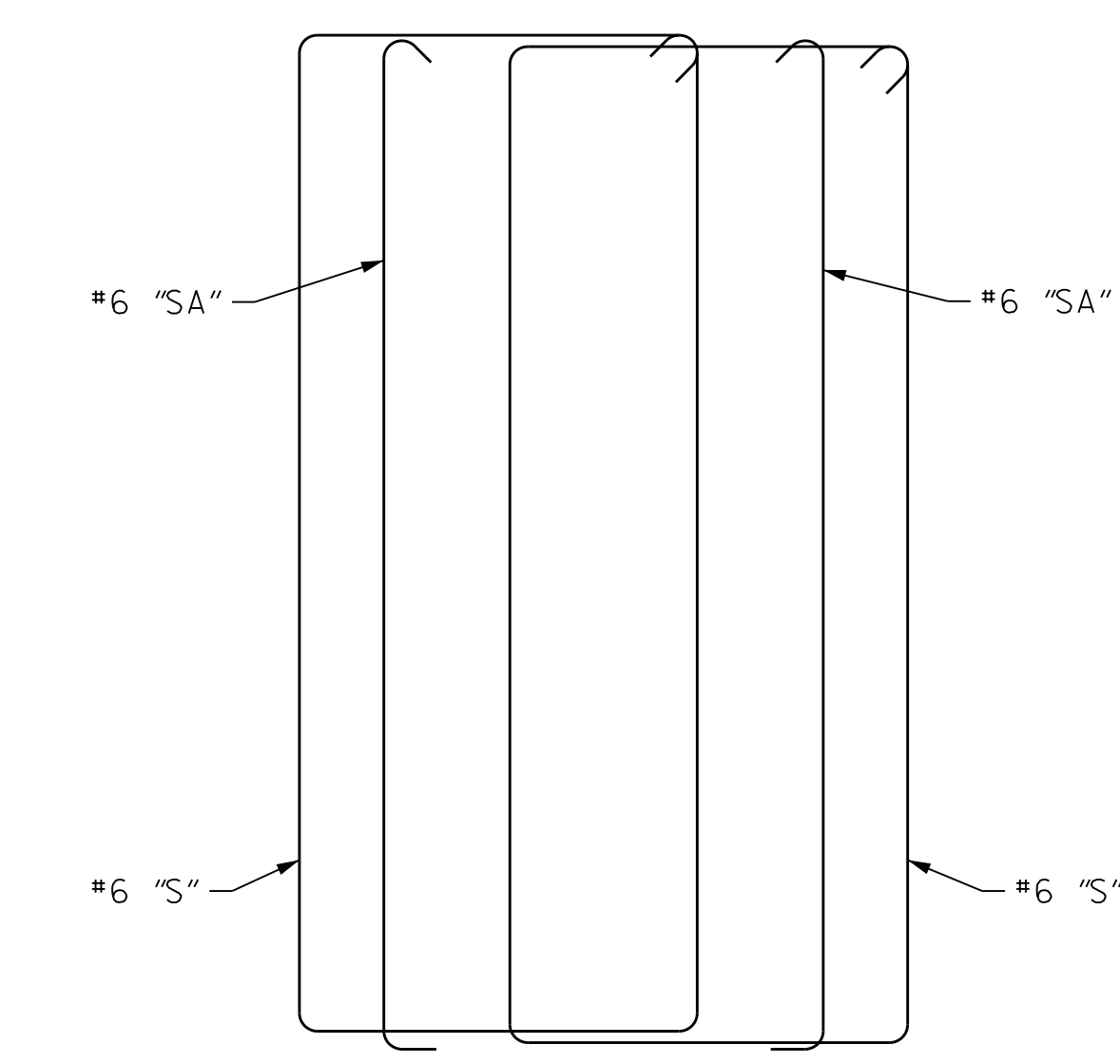
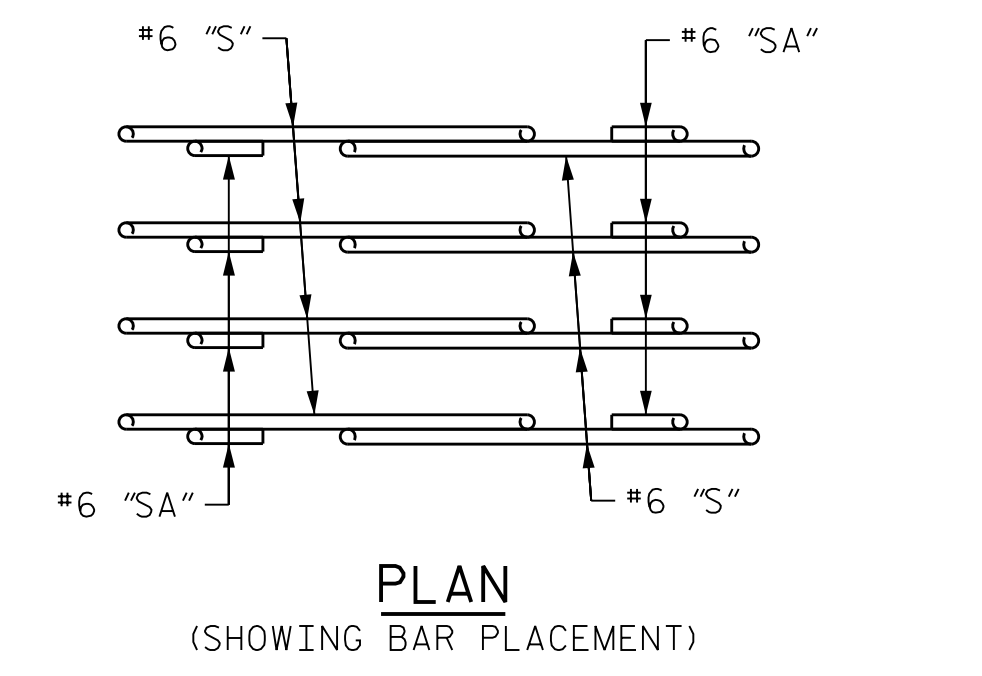
NOTE
SEE SHEETS 1 AND 2 OF 6 FOR NOTES.



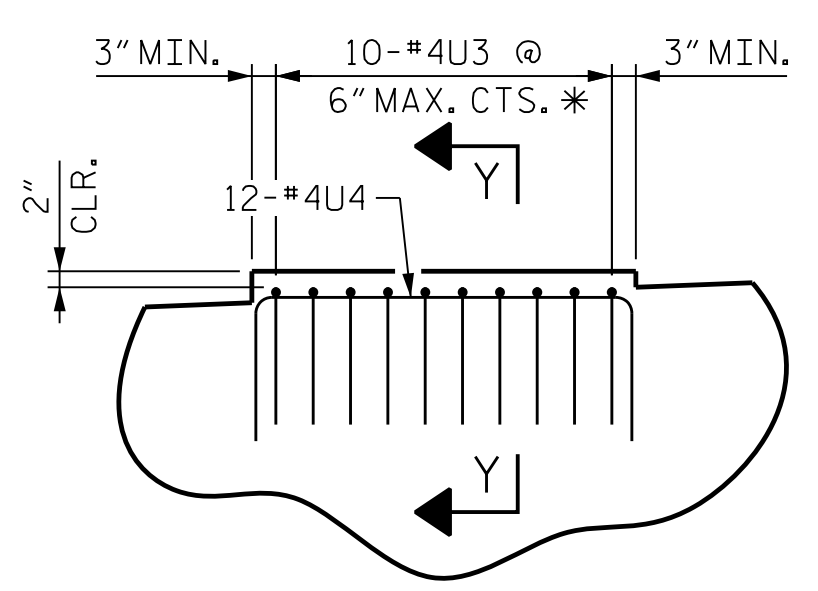
SECTION D-D
(+) SEE "STIRRUP SET DETAIL"



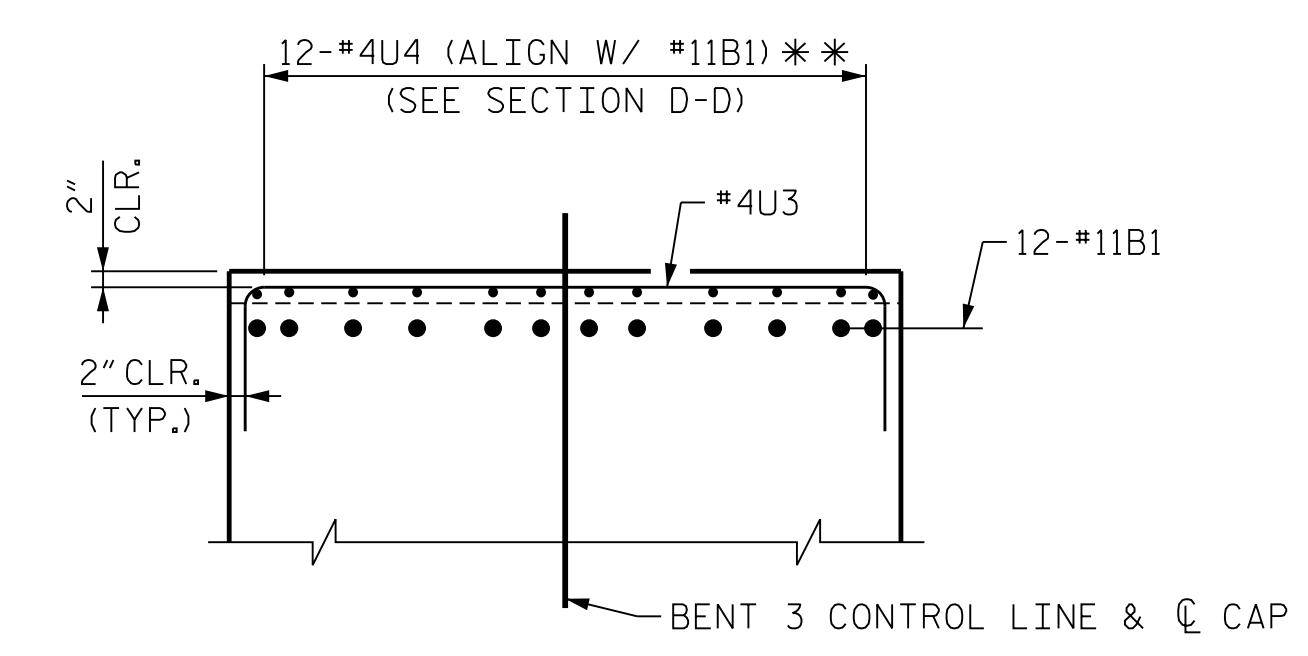
SECTION E-E
COLUMN REINFORCING STEEL NOT SHOWN FOR CLARITY
SEE SECTION D-D FOR ADDITIONAL INFORMATION



ELEVATION
(SCHEMATIC)
STIRRUP SET DETAIL

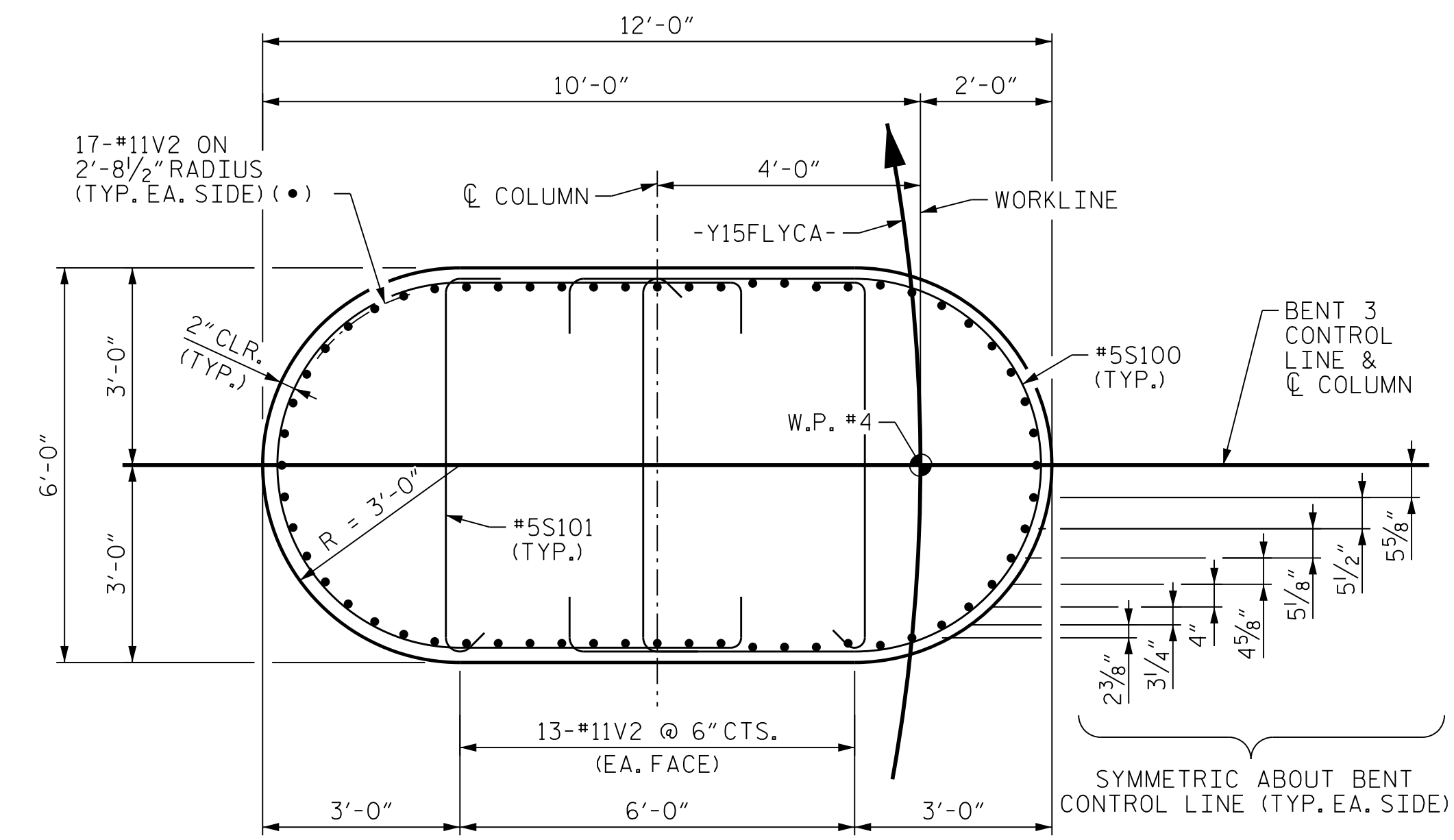


DETAIL "B"



SECTION Y-Y

* NOTE:
#4U3 BARS MAY BE SHIFTED SLIGHTLY AS NECESSARY TO CLEAR PIPE INSERTS FOR ANCHOR BOLTS.
** NOTE:
#4U4 BARS MAY BE SHIFTED AS NECESSARY TO CLEAR #11B1 AND #11B2 BARS.

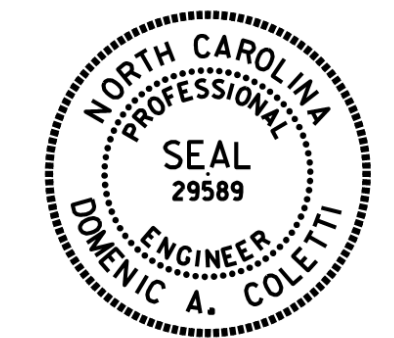


SECTION C-C

PROJECT NO. U-2579AB
FORSYTH COUNTY
STATION: 58+33.94 -Y15FLYCA-
SHEET 5 OF 6

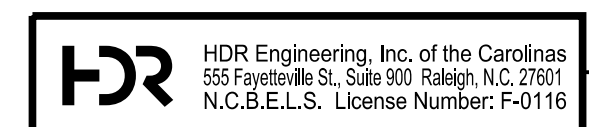
STATE OF NORTH CAROLINA
DEPARTMENT OF TRANSPORTATION
RALEIGH

SUBSTRUCTURE BENT 3 CAP DETAILS



Dominic A. Coletti 10/15/2021

REVISIONS						SHEET NO.	
NO.	BY:	DATE:	NO.	BY:	DATE:	506-099	
1	--	--	3	--	--	TOTAL SHEETS 129	
2	--	--	4	--	--		



DOCUMENT NOT CONSIDERED FINAL UNLESS ALL SIGNATURES COMPLETED

PLOT DRIVER: NCDOT...
USER: PPETERSO
DATE: 10/14/2021
FILE: ...SUBSTR

DES BY: <u>K. OLIVER</u>	DATE: <u>10/19</u>	DWG BY: <u>B. PETERSON</u>	DATE: <u>12/19</u>
DES CHK: <u>M. WERNER</u>	DATE: <u>10/19</u>	CHK BY: <u>N. LIU</u>	DATE: <u>01/20</u>