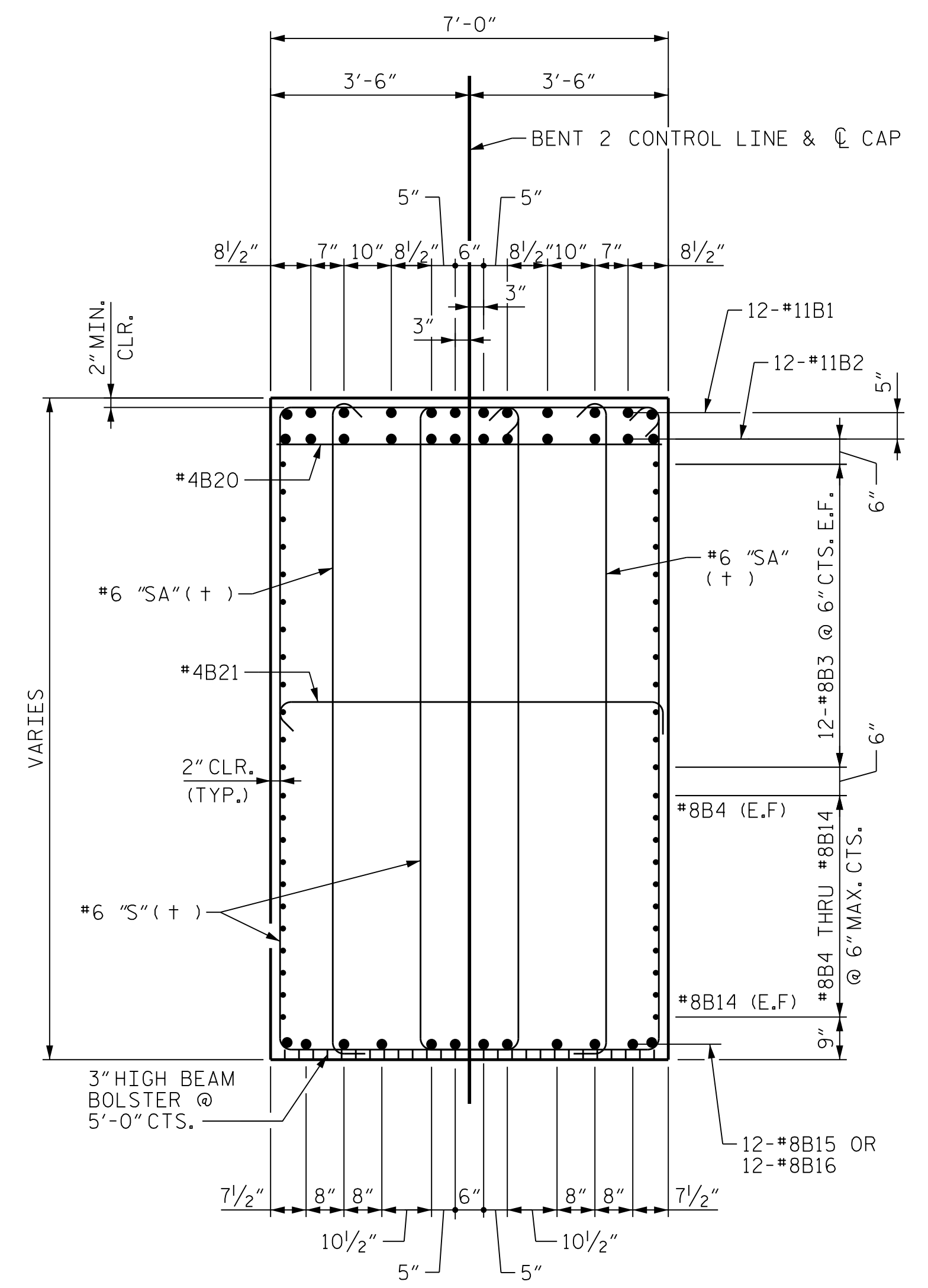
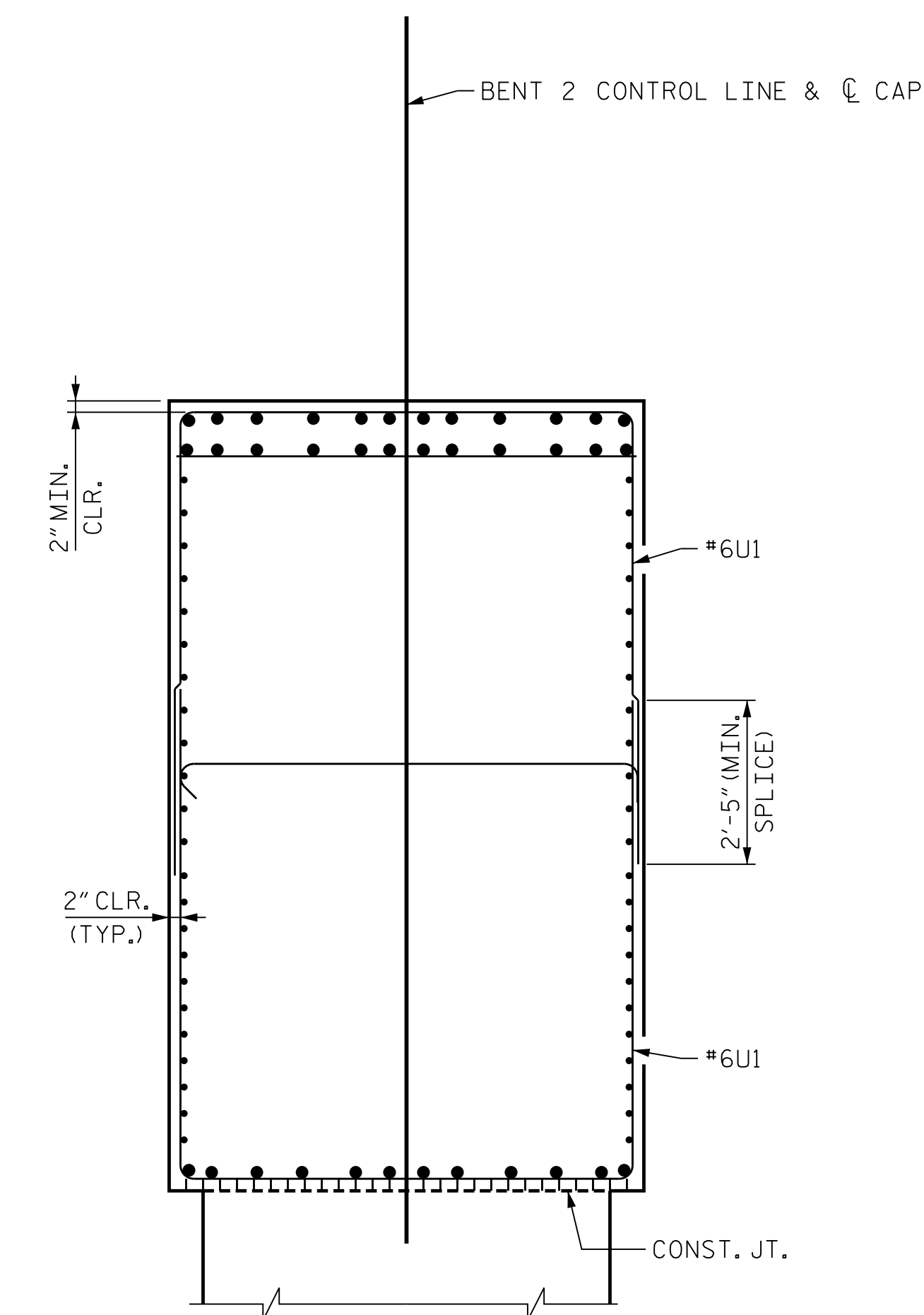


NOTE  
SEE SHEETS 1 AND 2 OF 6 FOR NOTES.

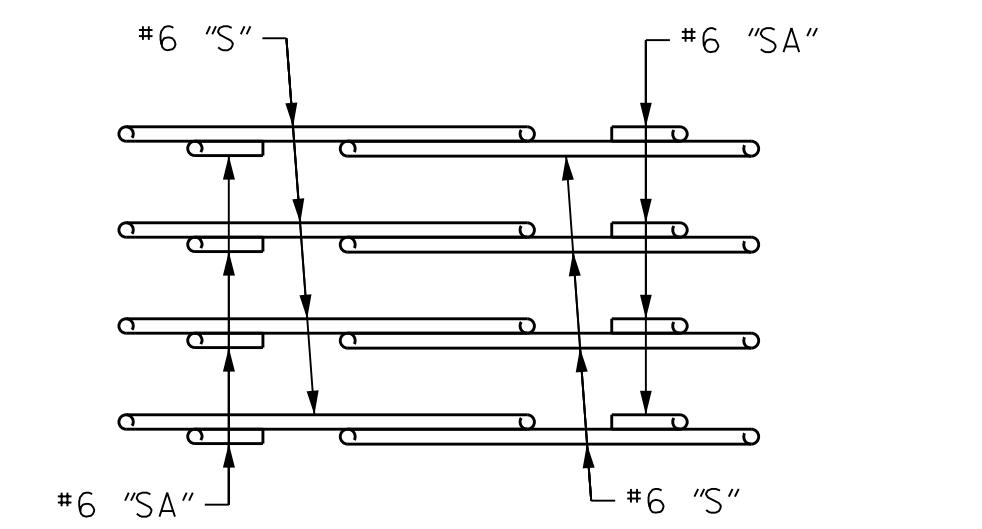


SECTION D-D  
(+) SEE "STIRRUP SET DETAIL"

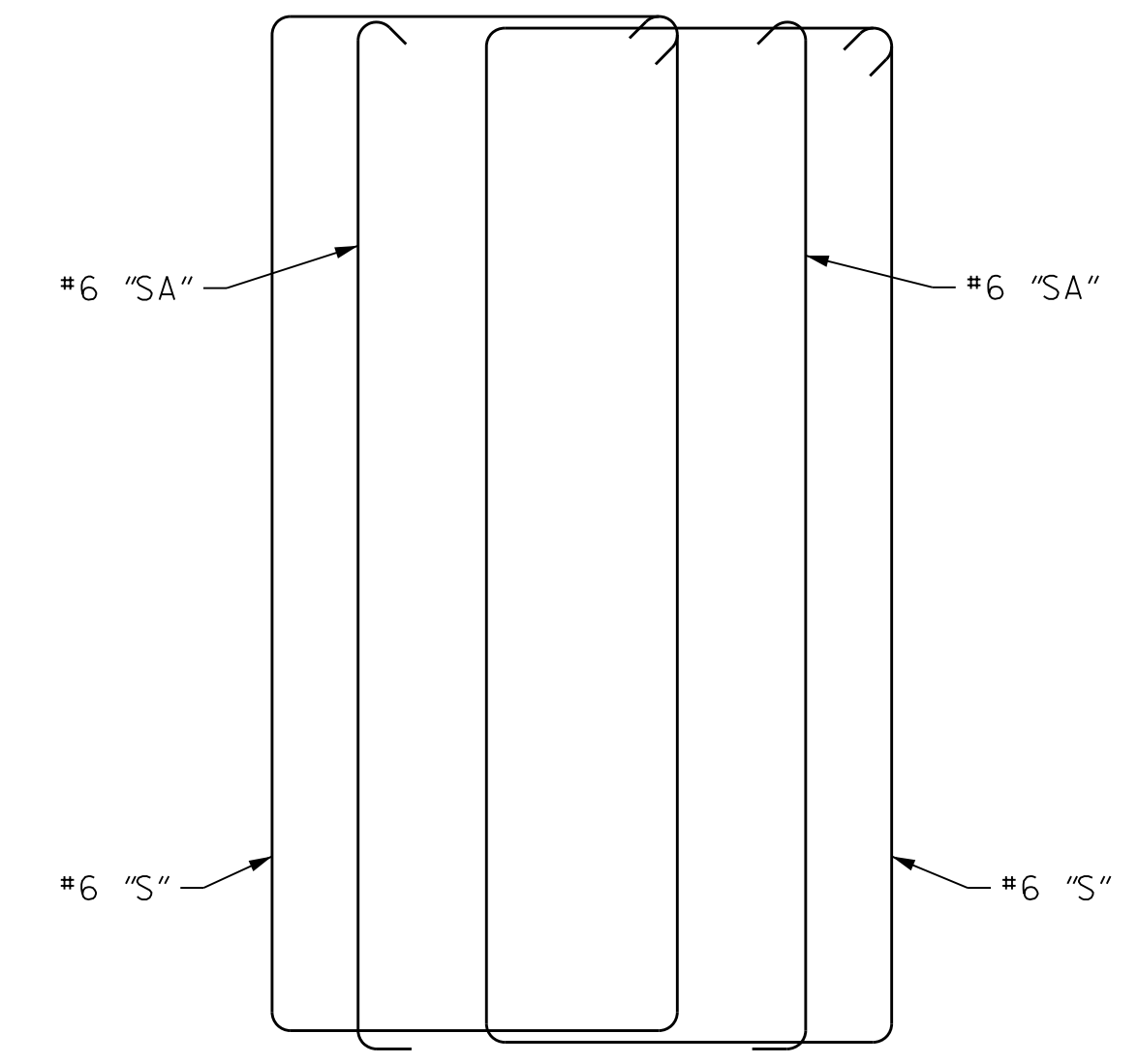


SEE SECTION D-D FOR ADDITIONAL INFORMATION

SECTION E-E  
COLUMN REINFORCING STEEL NOT SHOWN FOR CLARITY

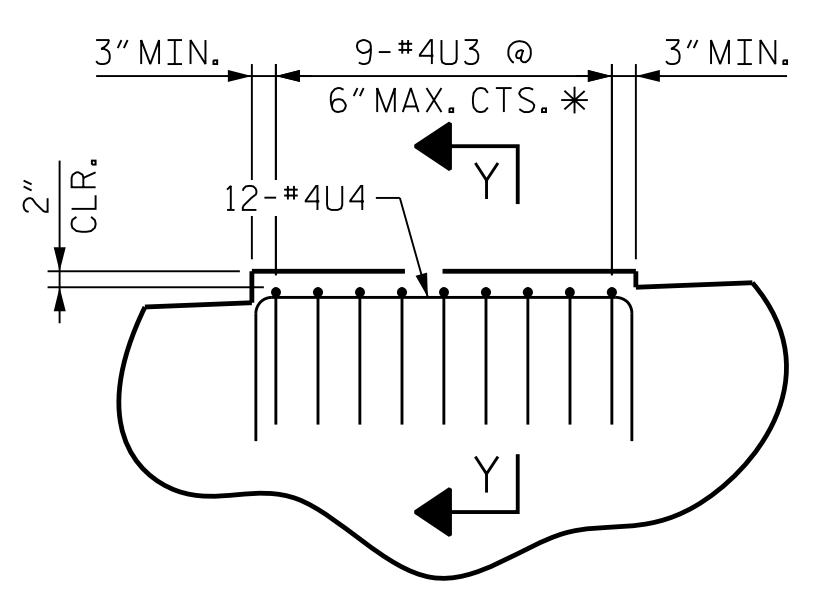


PLAN  
(SHOWING BAR PLACEMENT)

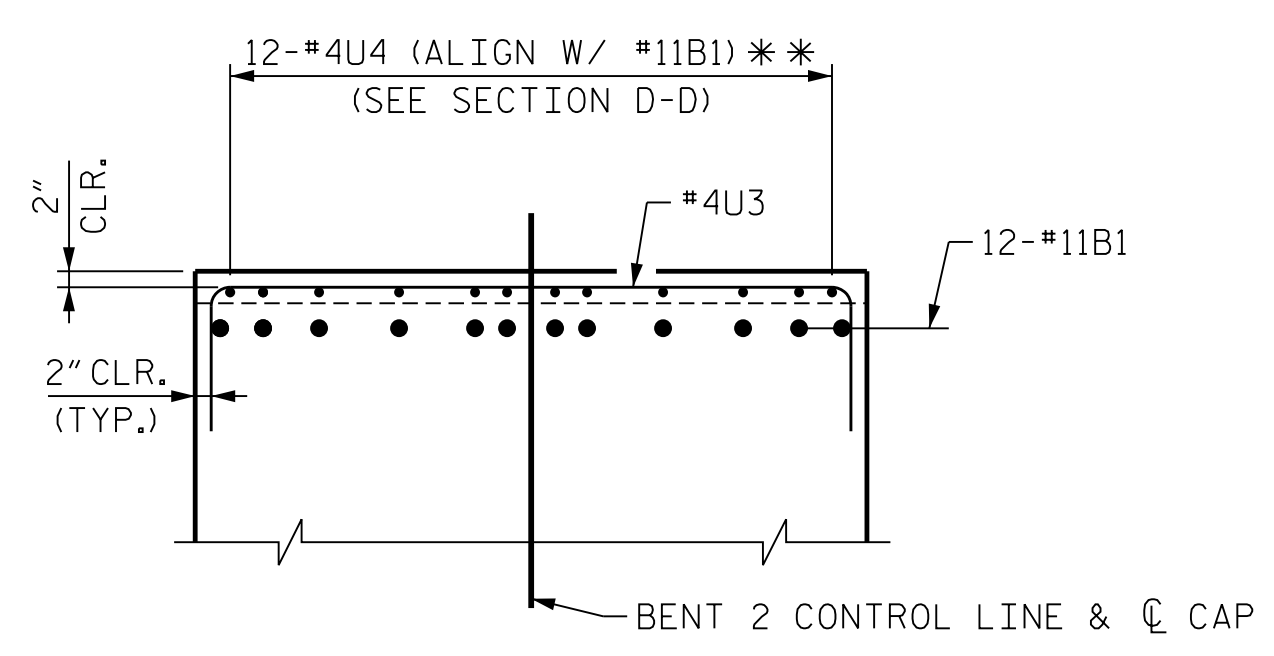


ELEVATION  
(SCHEMATIC)

STIRRUP SET DETAIL

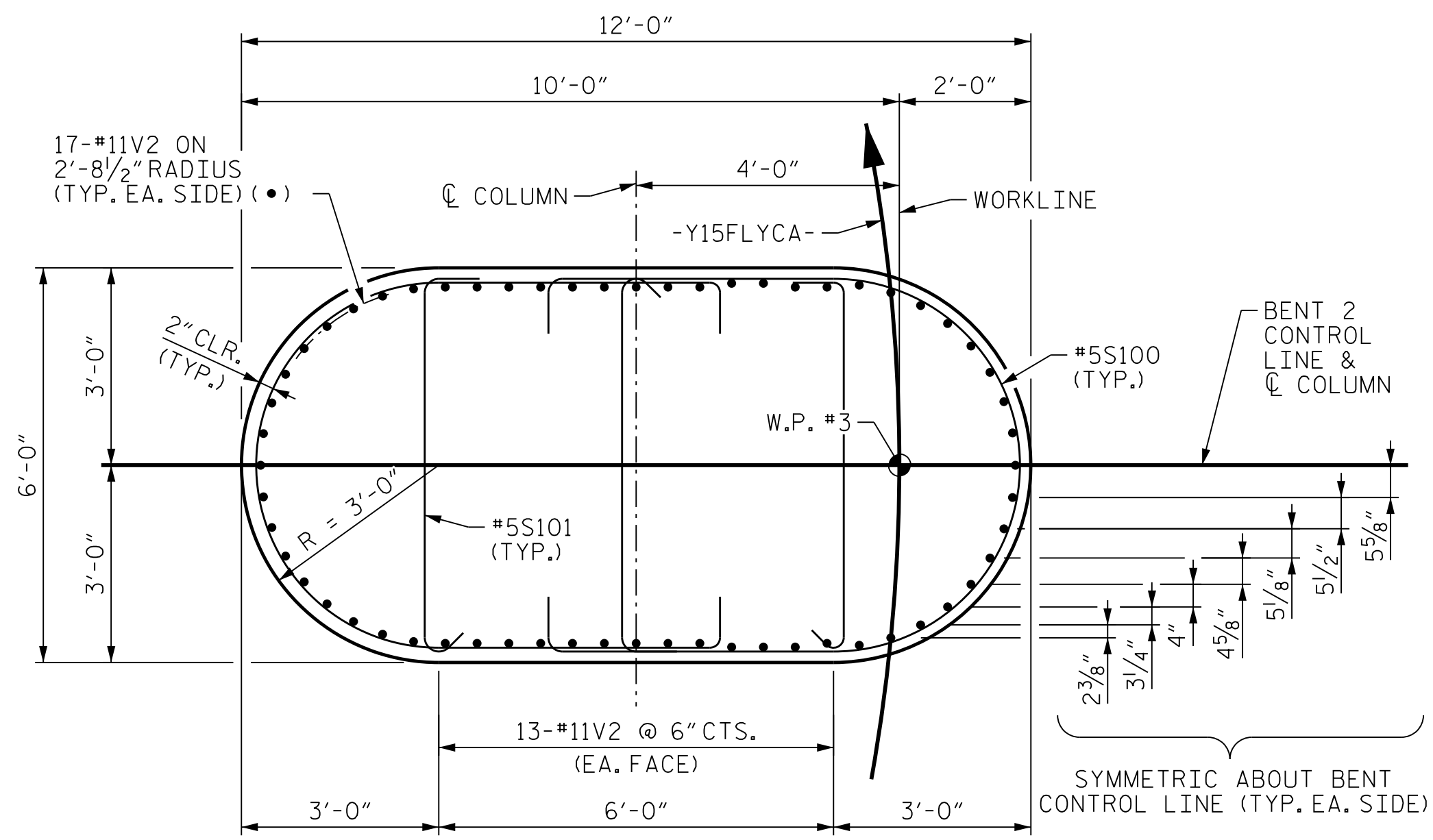


DETAIL "B"



SECTION Y-Y

\* NOTE:  
#4U3 BARS MAY BE SHIFTED SLIGHTLY AS NECESSARY TO CLEAR ANCHOR BOLTS.  
\*\* NOTE:  
#4U4 BARS MAY BE SHIFTED AS NECESSARY TO CLEAR #11B1 AND #11B2 BARS.

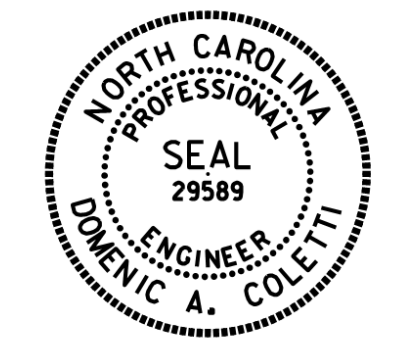


SECTION C-C

PROJECT NO. U-2579AB  
FORSYTH COUNTY  
STATION: 58+33.94 -Y15FLYCA-  
SHEET 5 OF 6

STATE OF NORTH CAROLINA  
DEPARTMENT OF TRANSPORTATION  
RALEIGH

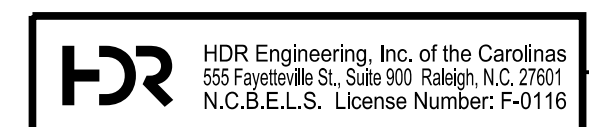
**SUBSTRUCTURE  
BENT 2  
BENT CAP DETAILS**



10/15/2021

PLOT DRIVER: NCDOT... PENTABLE: NCDOT... USER: PPETERSO... DATE: 10/14/2021... FILE: ...SUBSTR

DES BY: K. OLIVER	DATE: 10/19	DWG BY: B. PETERSON	DATE: 12/19
DES CHK: M. WERNER	DATE: 10/19	CHK BY: N. LIU	DATE: 01/20



DOCUMENT NOT CONSIDERED FINAL UNLESS ALL SIGNATURES COMPLETED

REVISIONS						SHEET NO. 506-093 TOTAL SHEETS 129
NO.	BY:	DATE:	NO.	BY:	DATE:	
1	--	--	3	--	--	
2	--	--	4	--	--	