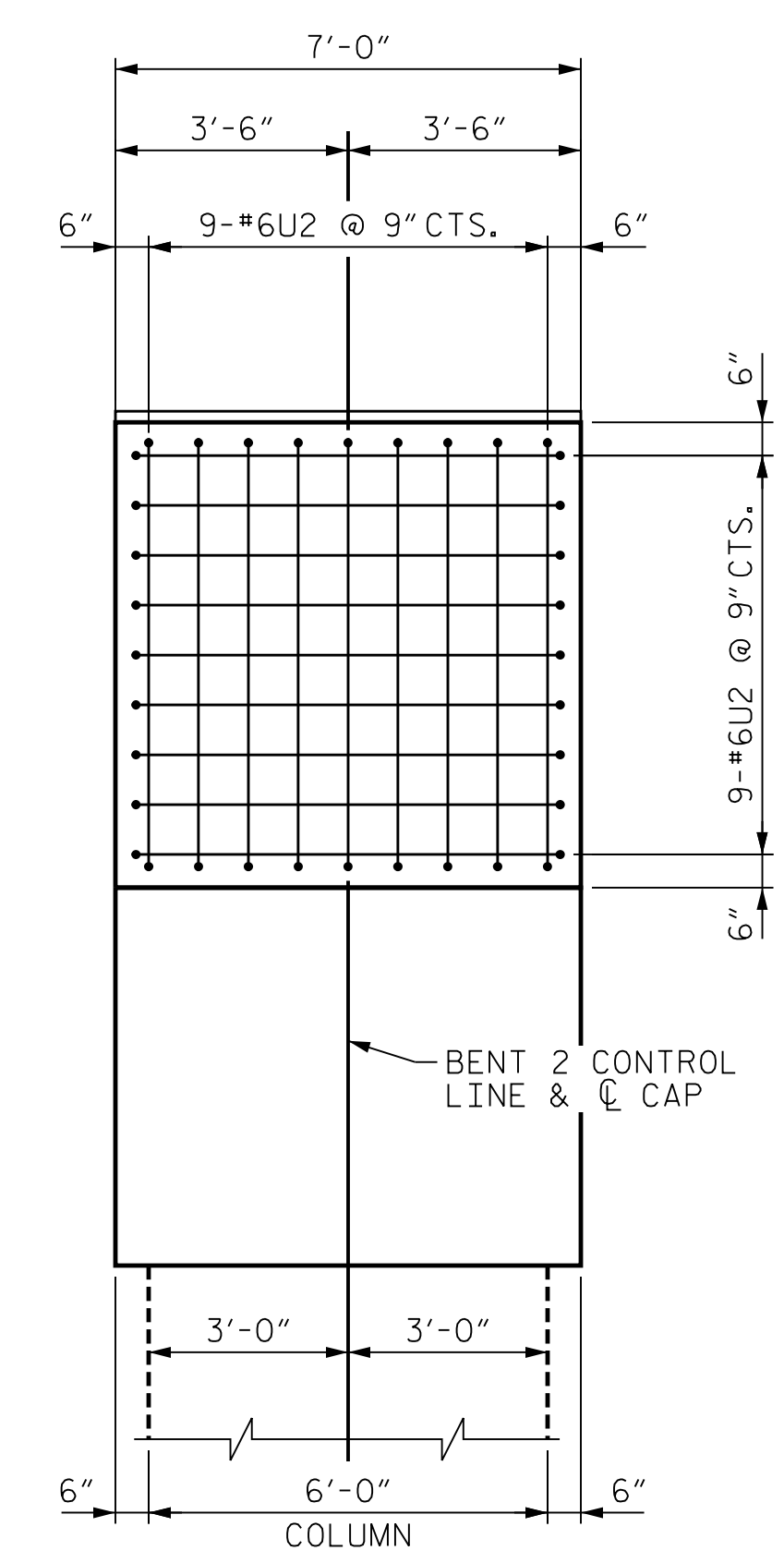
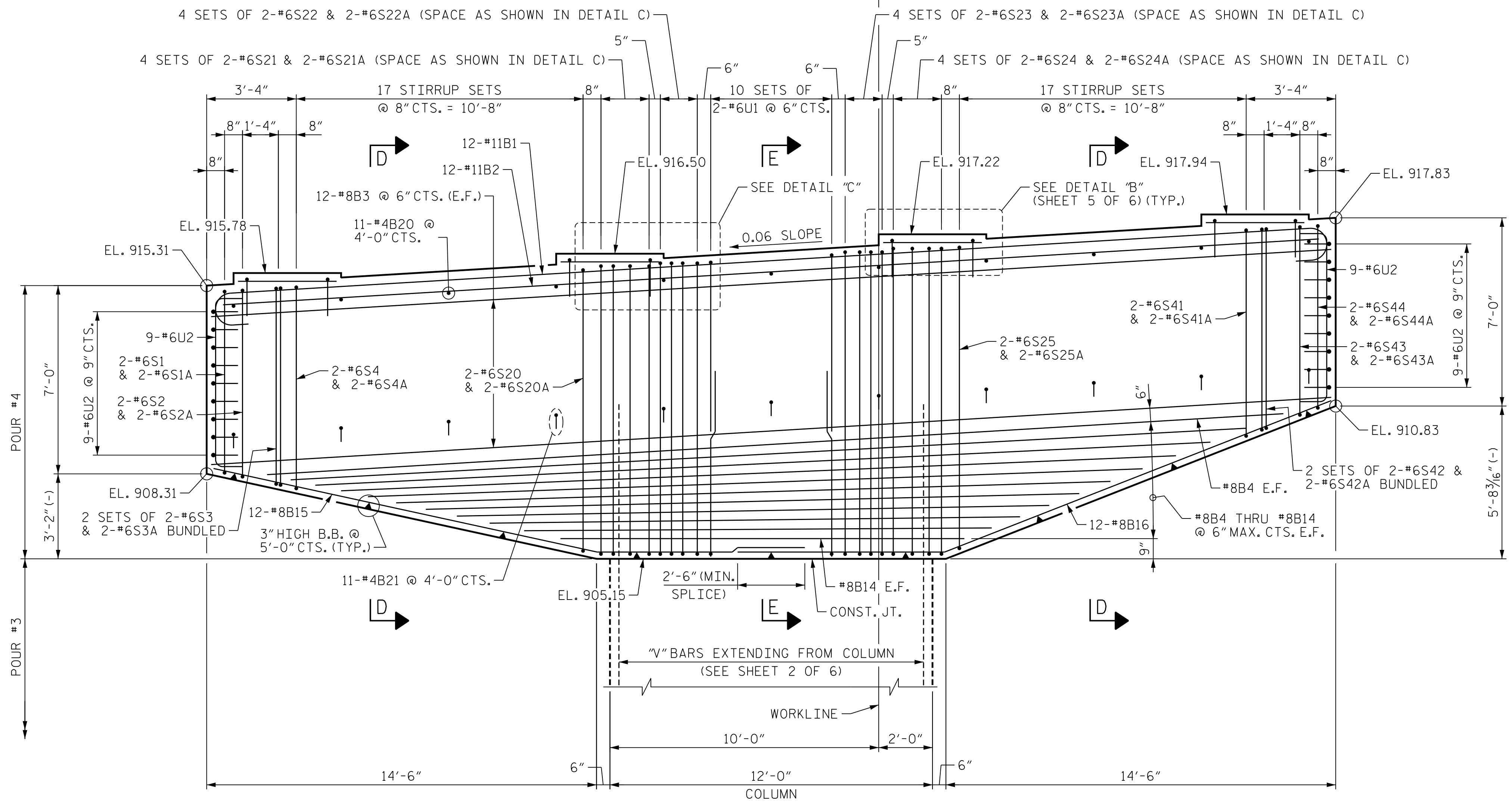
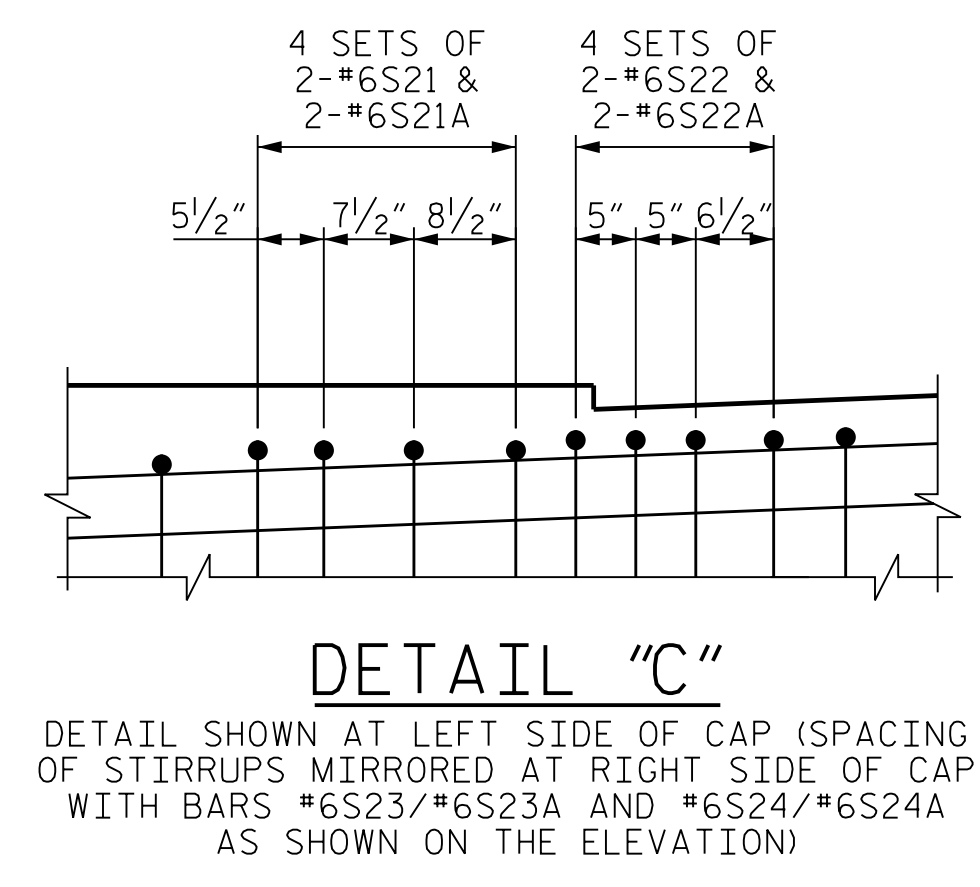
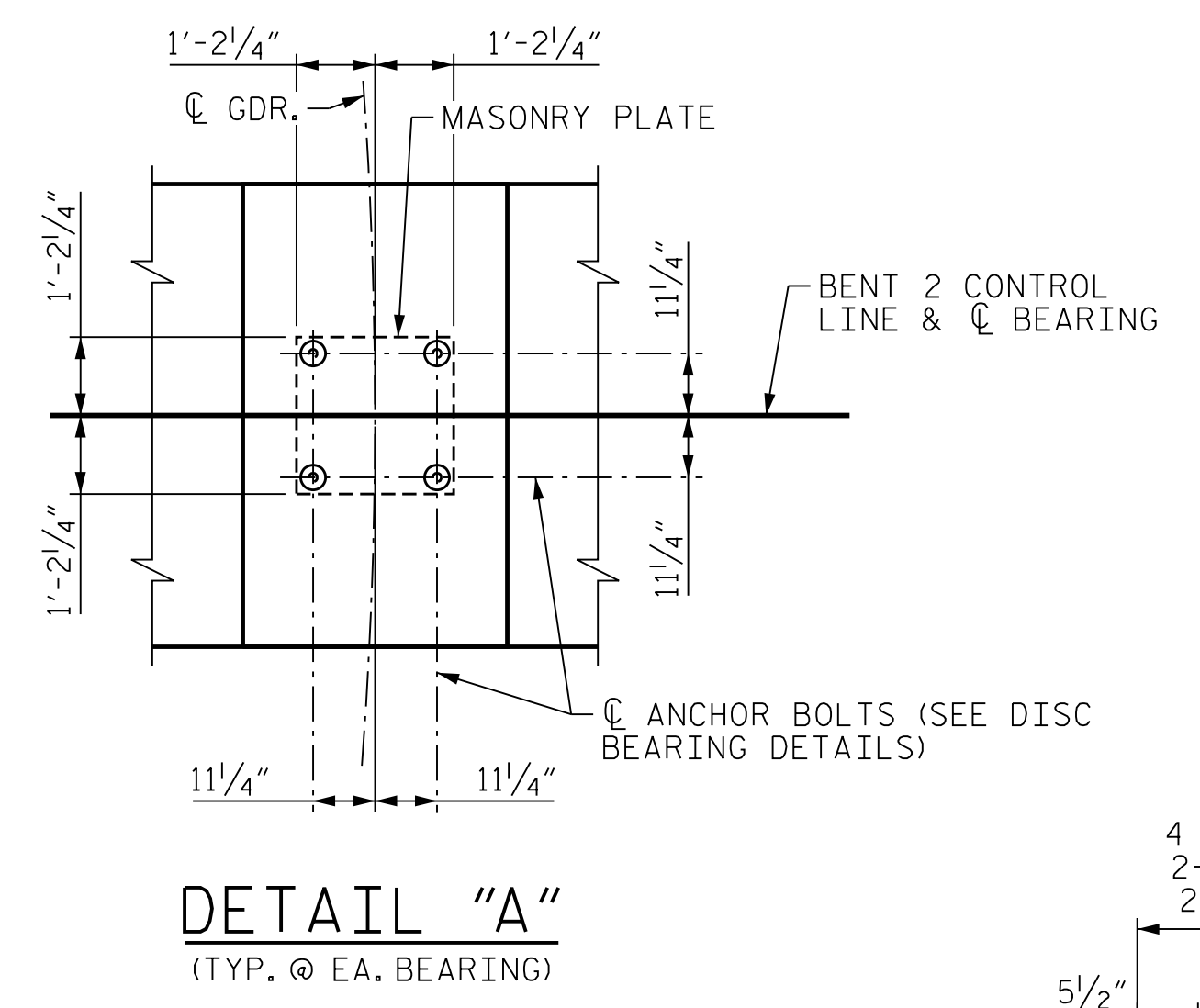
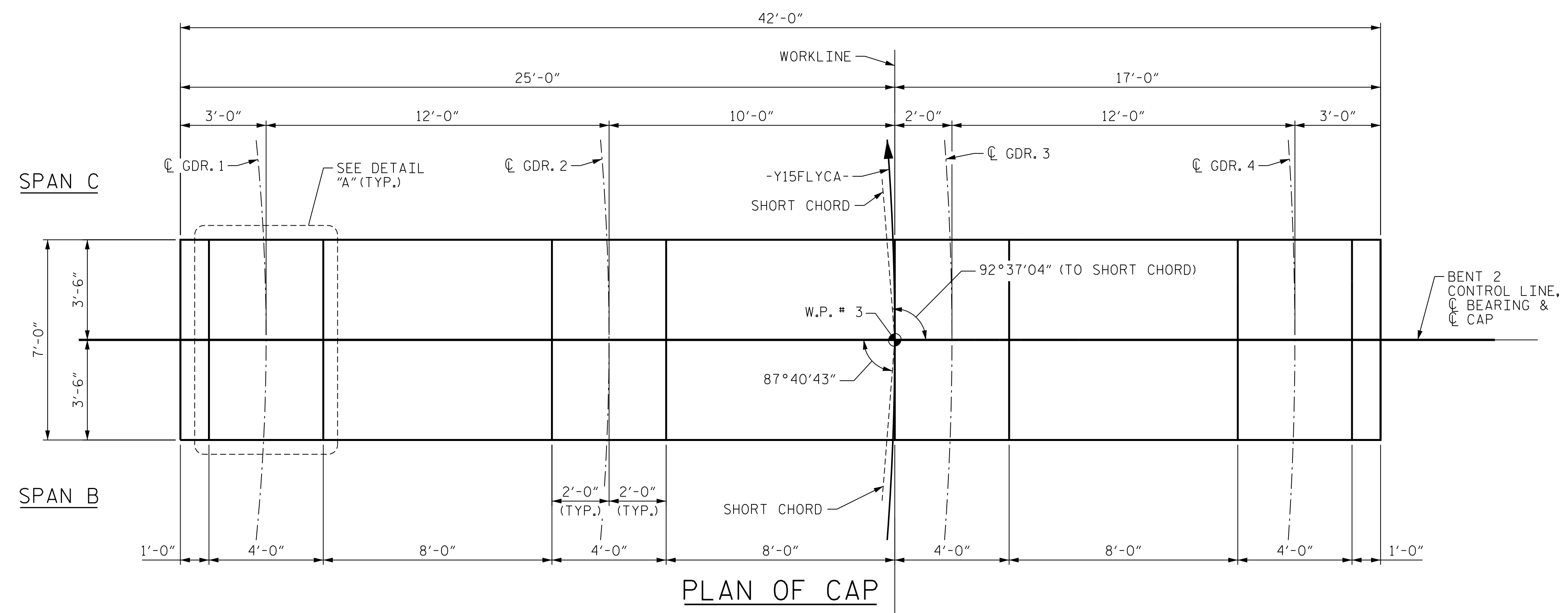
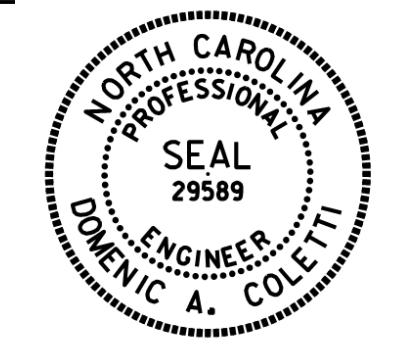


NOTES
FOR SECTIONS D-D AND E-E, SEE "SUBSTRUCTURE BENT 2 BENT CAP DETAILS" SHEET 5 OF 6.
FOR ADDITIONAL NOTES, SEE SHEETS 1 AND 2 OF 6.



PROJECT NO. U-2579AB
FORSYTH COUNTY
STATION: 58+33.94 -Y15FLYCA-
SHEET 4 OF 6

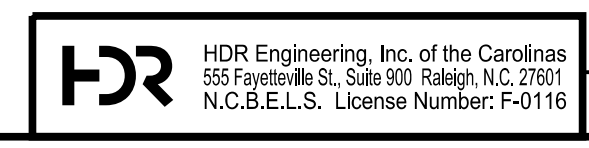


STATE OF NORTH CAROLINA
DEPARTMENT OF TRANSPORTATION
RALEIGH
SUBSTRUCTURE
BENT 2
BENT CAP PLAN &
ELEVATION

REVISIONS						SHEET NO. S06-092 TOTAL SHEETS 129
NO.	BY:	DATE:	NO.	BY:	DATE:	
1	--	--	3	--	--	TOTAL SHEETS 129
2	--	--	4	--	--	

PLOT DRIVER: NCDOT...
USER: PPETERSO
DATE: 10/14/2021
FILE: ...SUBSTR

DES BY: K. OLIVER	DATE: 10/19	DWG BY: B. PETERSON	DATE: 12/19
DES CHK: M. WERNER	DATE: 10/19	CHK BY: N. LIU	DATE: 01/20



DOCUMENT NOT CONSIDERED FINAL
UNLESS ALL SIGNATURES COMPLETED
10/15/2021