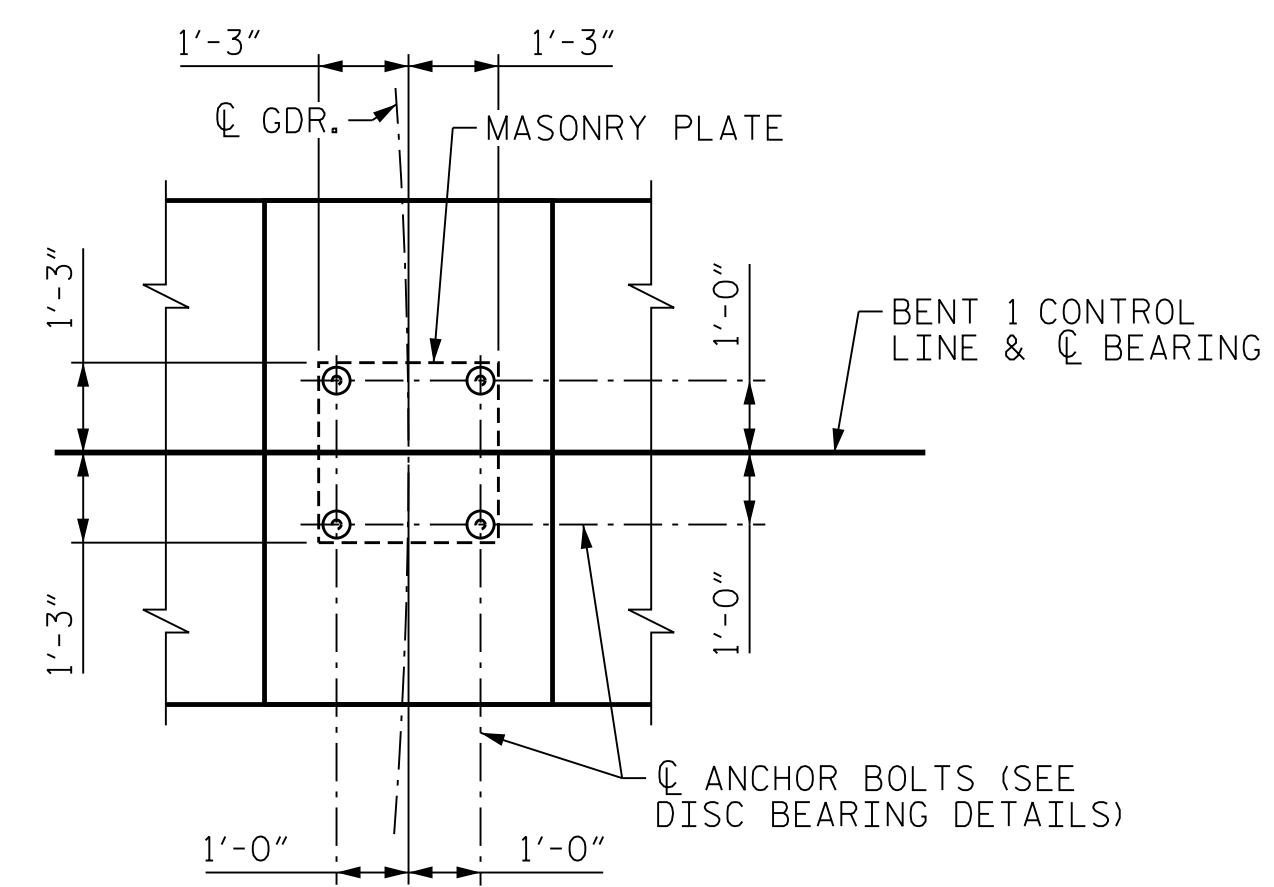
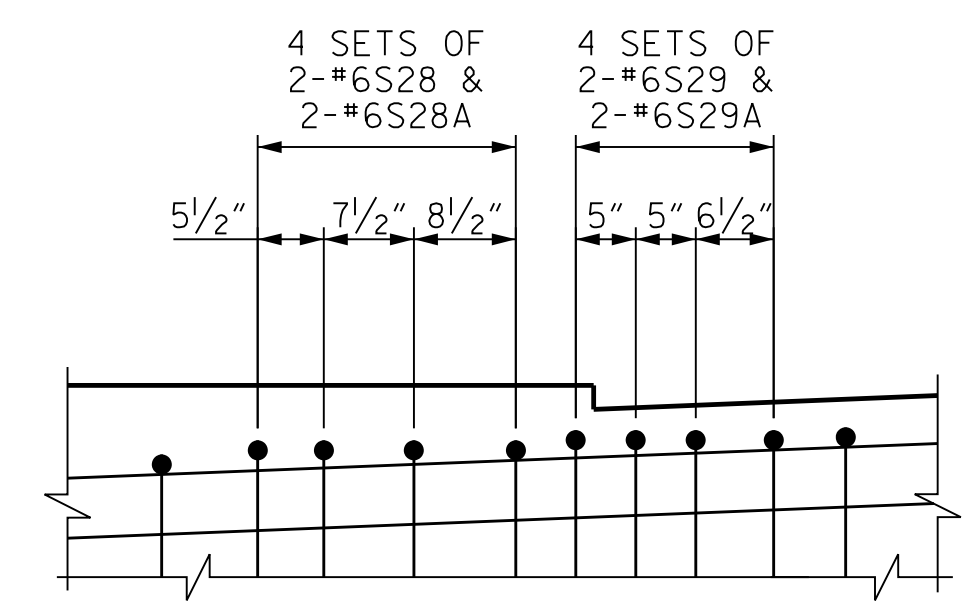


PLAN OF CAP

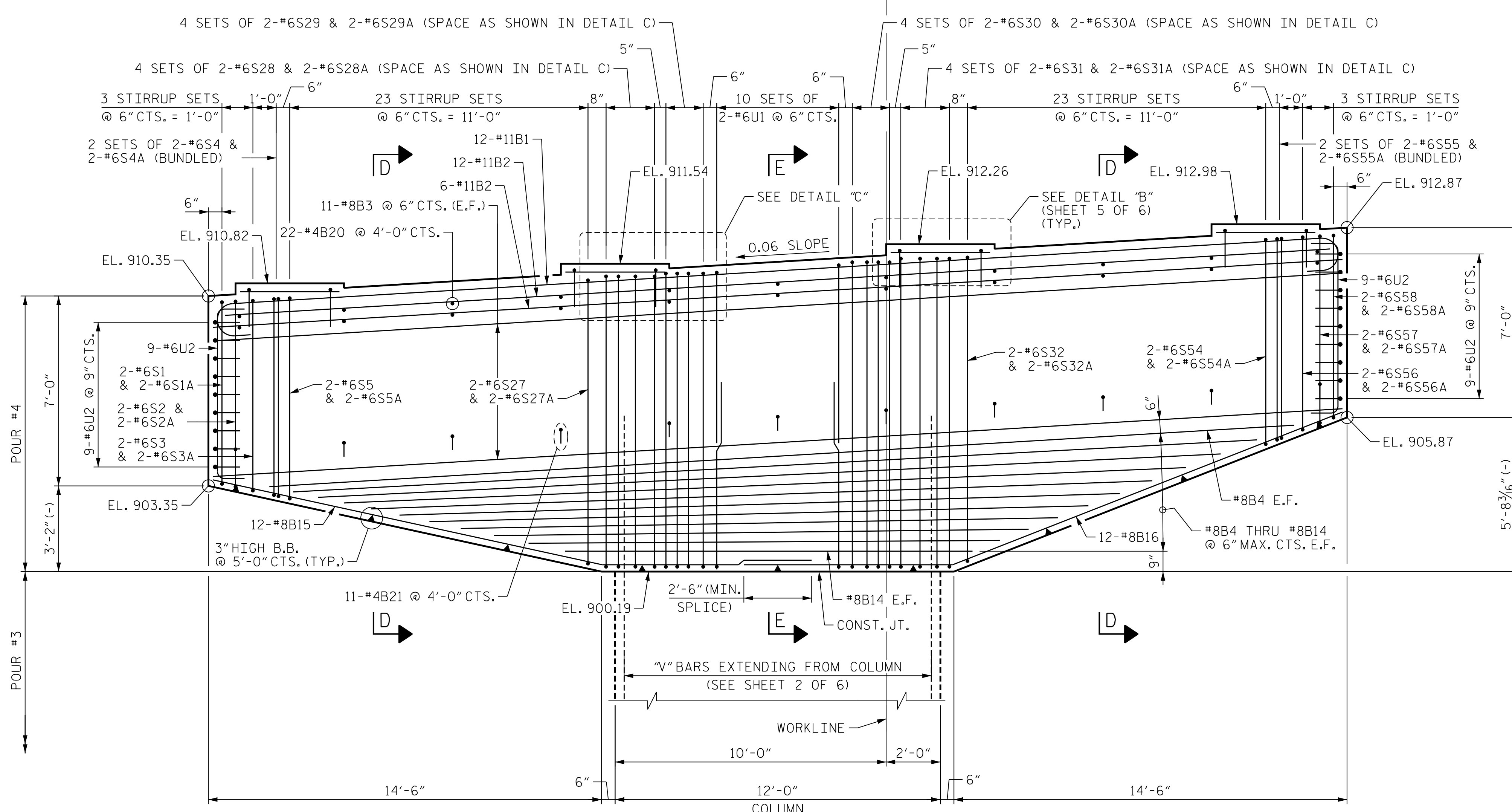


DETAIL "A"  
(TYP. @ EA. BEARING)

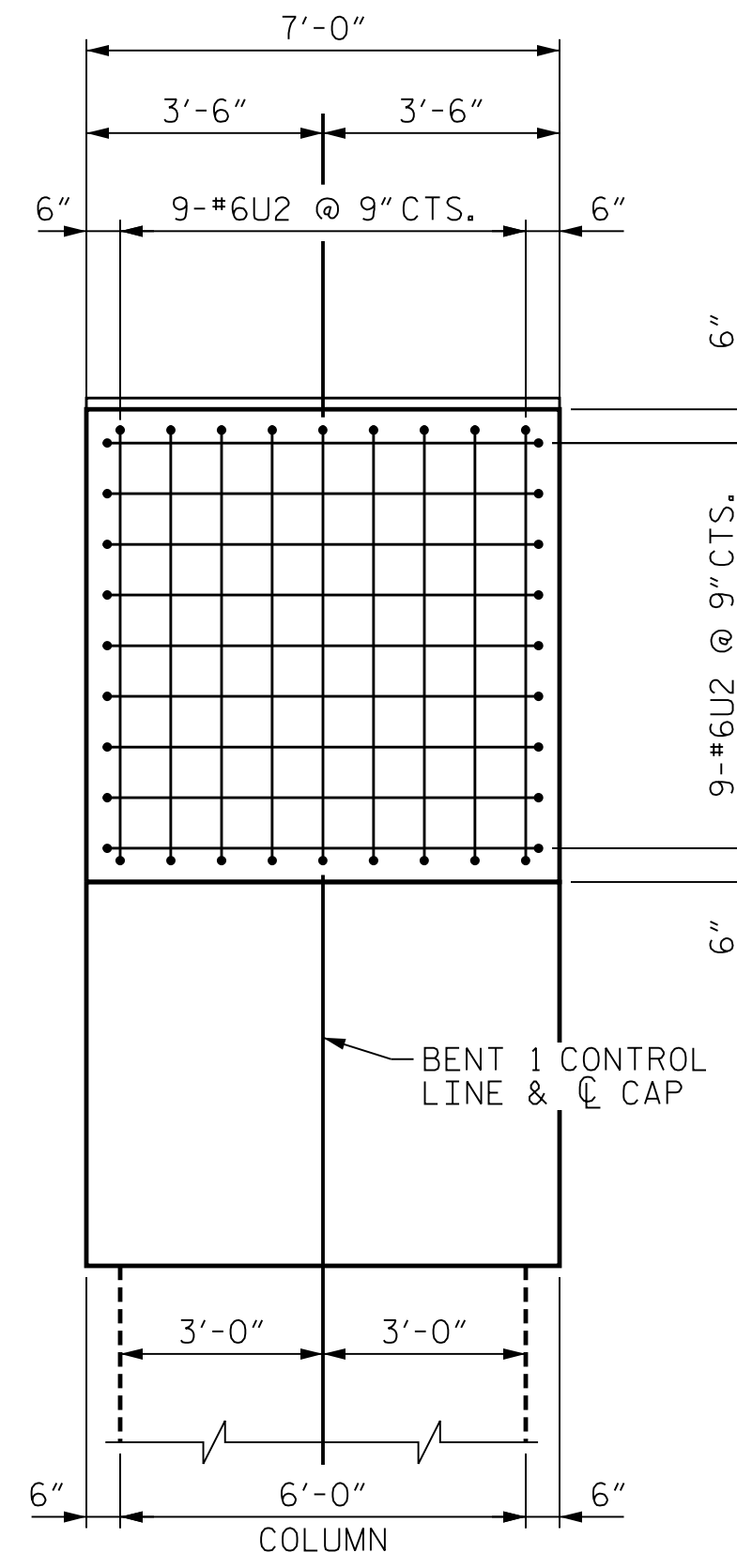


DETAIL "C"

DETAIL SHOWN AT LEFT SIDE OF CAP (SPACING OF STIRRUPS MIRRORED AT RIGHT SIDE OF CAP WITH BARS #6S30/#6S30A AND #6S31/#6S31A AS SHOWN ON THE ELEVATION)

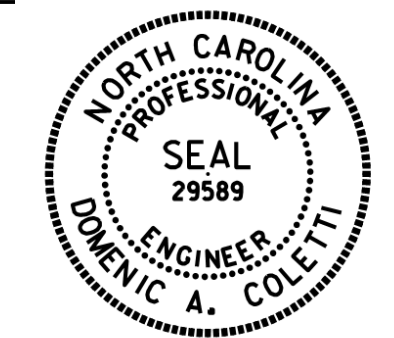


ELEVATION OF CAP



END VIEW

PROJECT NO. U-2579AB  
 FORSYTH COUNTY  
 STATION: 58+33.94 -Y15FLYCA-  
 SHEET 4 OF 6



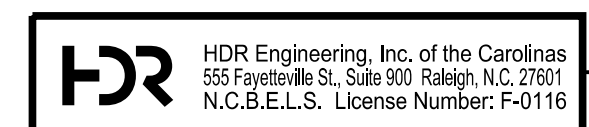
10/15/2021

STATE OF NORTH CAROLINA  
 DEPARTMENT OF TRANSPORTATION  
 RALEIGH

SUBSTRUCTURE  
 BENT 1  
 BENT CAP PLAN  
 AND ELEVATION

REVISIONS						SHEET NO. S06-086
NO.	BY:	DATE:	NO.	BY:	DATE:	
1	--	--	3	--	--	TOTAL SHEETS 129
2	--	--	4	--	--	

DES BY: K. OLIVER	DATE: 10/19	DWG BY: B. PETERSON	DATE: 12/19
DES CHK: M. WERNER	DATE: 10/19	CHK BY: N.LIU	DATE: 01/20



DOCUMENT NOT CONSIDERED FINAL UNLESS ALL SIGNATURES COMPLETED

PLOT DRIVER: NCDOT\_pdf\_color\_eng-50dpi  
 USER: PPETERSO  
 DATE: 10/14/2021  
 TIME: 5:19:22 PM  
 FILE: ...SUBSTR