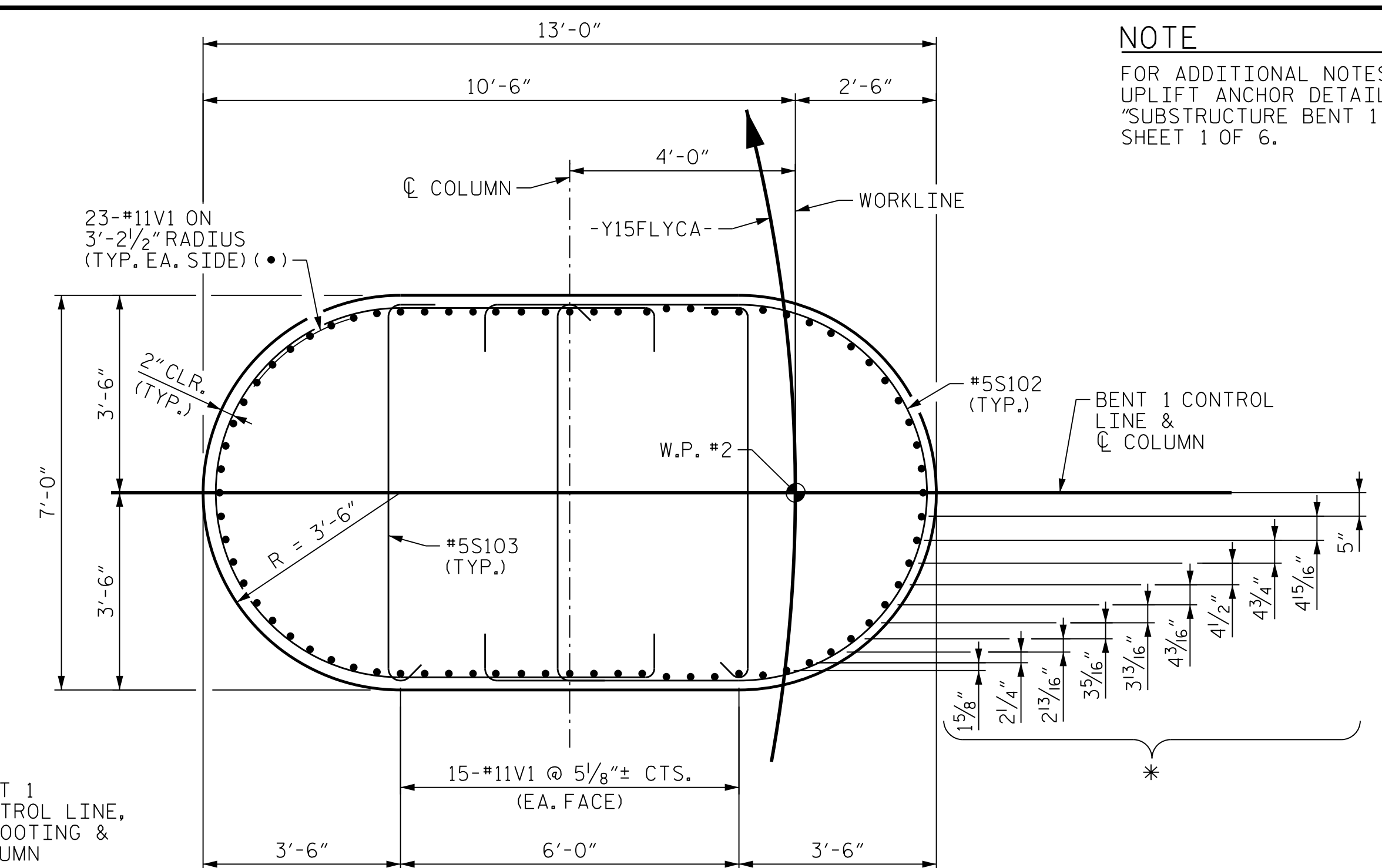
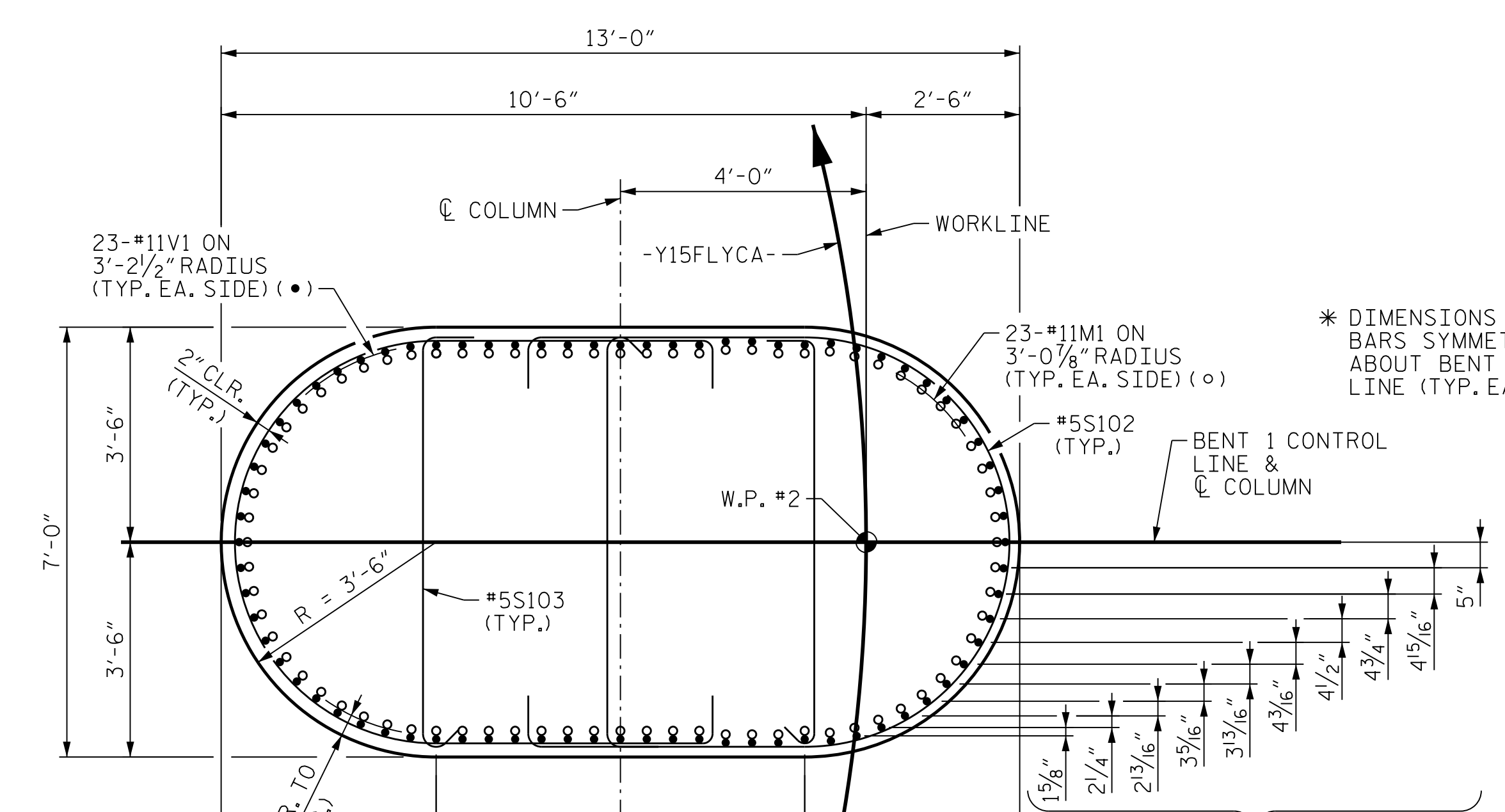


FOOTING PLAN



SECTION B-B



SECTION A-A

NOTE
FOR ADDITIONAL NOTES AND PILE UPLIFT ANCHOR DETAIL, SEE "SUBSTRUCTURE BENT 1 ELEVATIONS", SHEET 1 OF 6.

PROJECT NO. U-2579AB
 FORSYTH COUNTY
 STATION: 58+33.94 -Y15FLYCA-

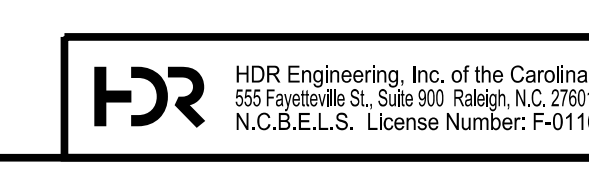
SHEET 3 OF 6



Dominic A. Coletti 10/15/2021

STATE OF NORTH CAROLINA
 DEPARTMENT OF TRANSPORTATION
 RALEIGH
**SUBSTRUCTURE
 BENT 1
 FOOTING & COLUMN
 DETAILS**

REVISIONS					
NO.	BY:	DATE:	NO.	BY:	DATE:
1	--	--	3	--	--
2	--	--	4	--	--



DOCUMENT NOT CONSIDERED FINAL
 UNLESS ALL SIGNATURES COMPLETED

SHEET NO. S06-085
 TOTAL SHEETS 129

PLOT DRIVER: NCDOT_pdf_color_eng-50dpi
 USER: PPETERSO DATE: 10/14/2021
 FILE: ...SUBSTR

DES BY: <u>K. OLIVER</u>	DATE: <u>11/19</u>	DWG BY: <u>B. PETERSON</u>	DATE: <u>12/19</u>
DES CHK: <u>N. LIU</u>	DATE: <u>11/19</u>	CHK BY: <u>N. LIU</u>	DATE: <u>01/20</u>