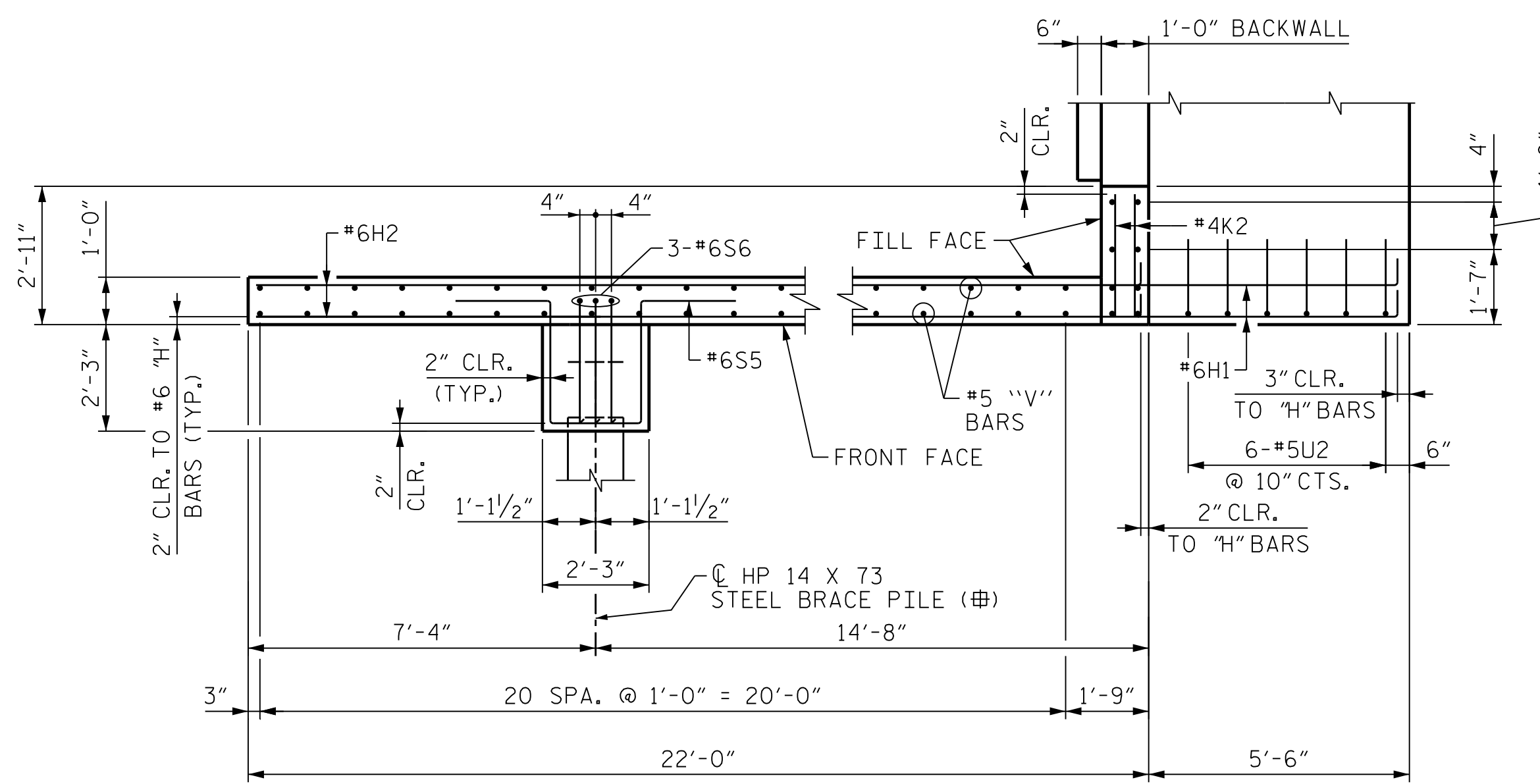
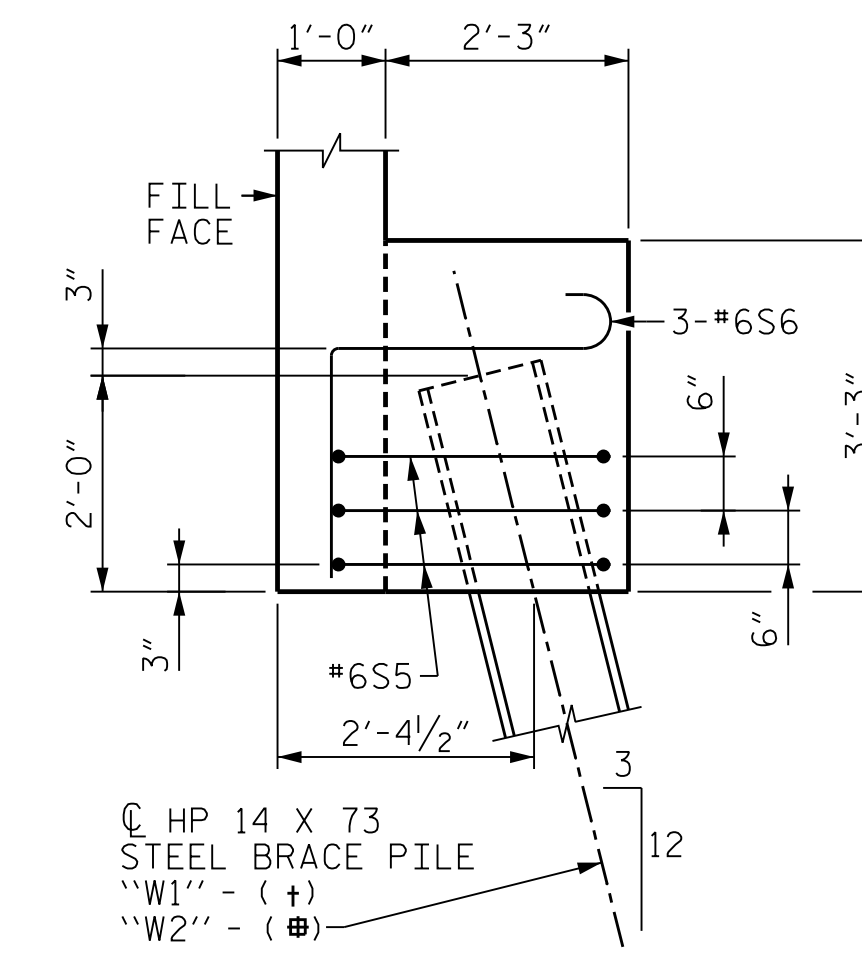


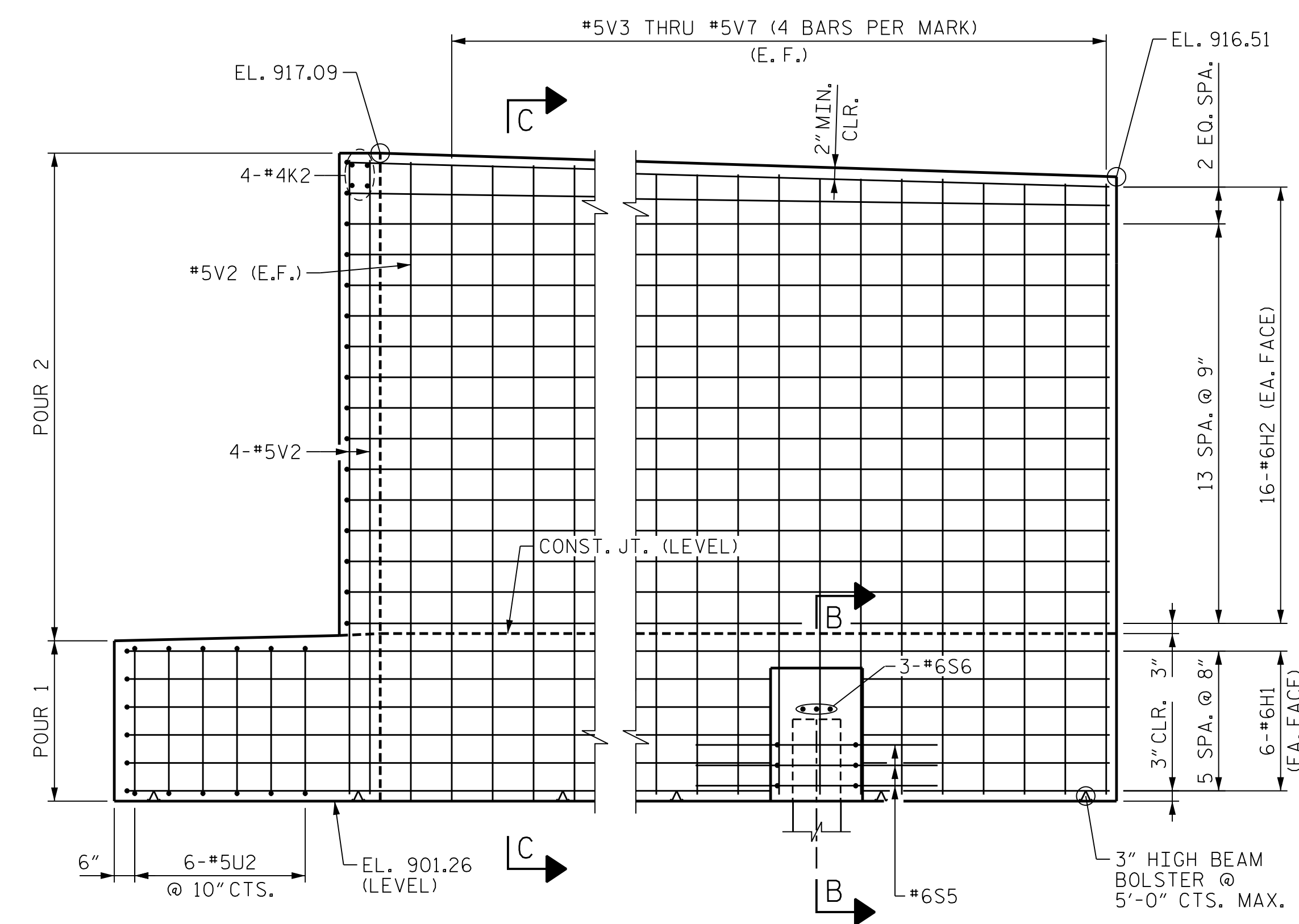
PLAN - WINGWALL "W1"



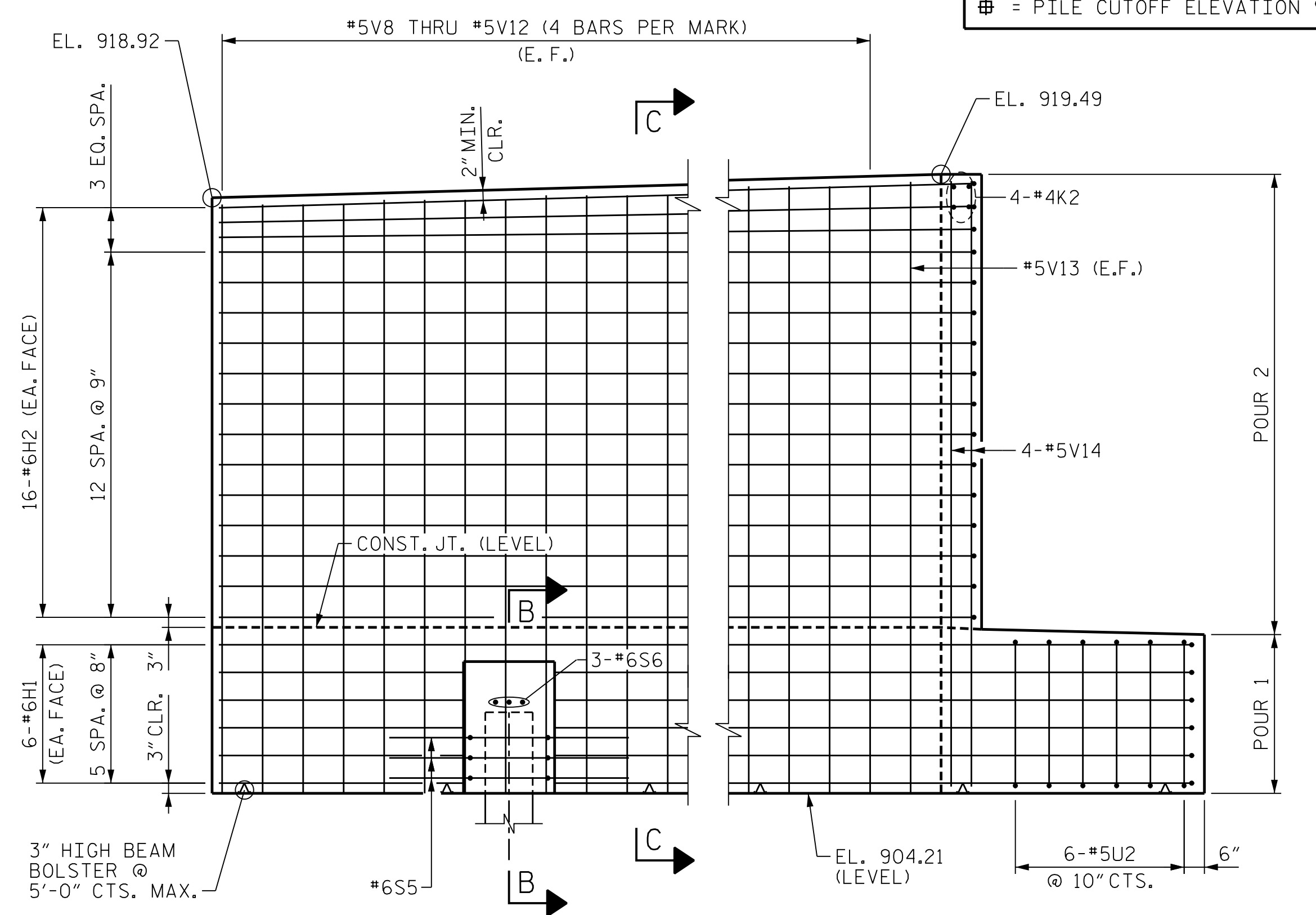
PLAN - WINGWALL "W2"



SECTION B-B

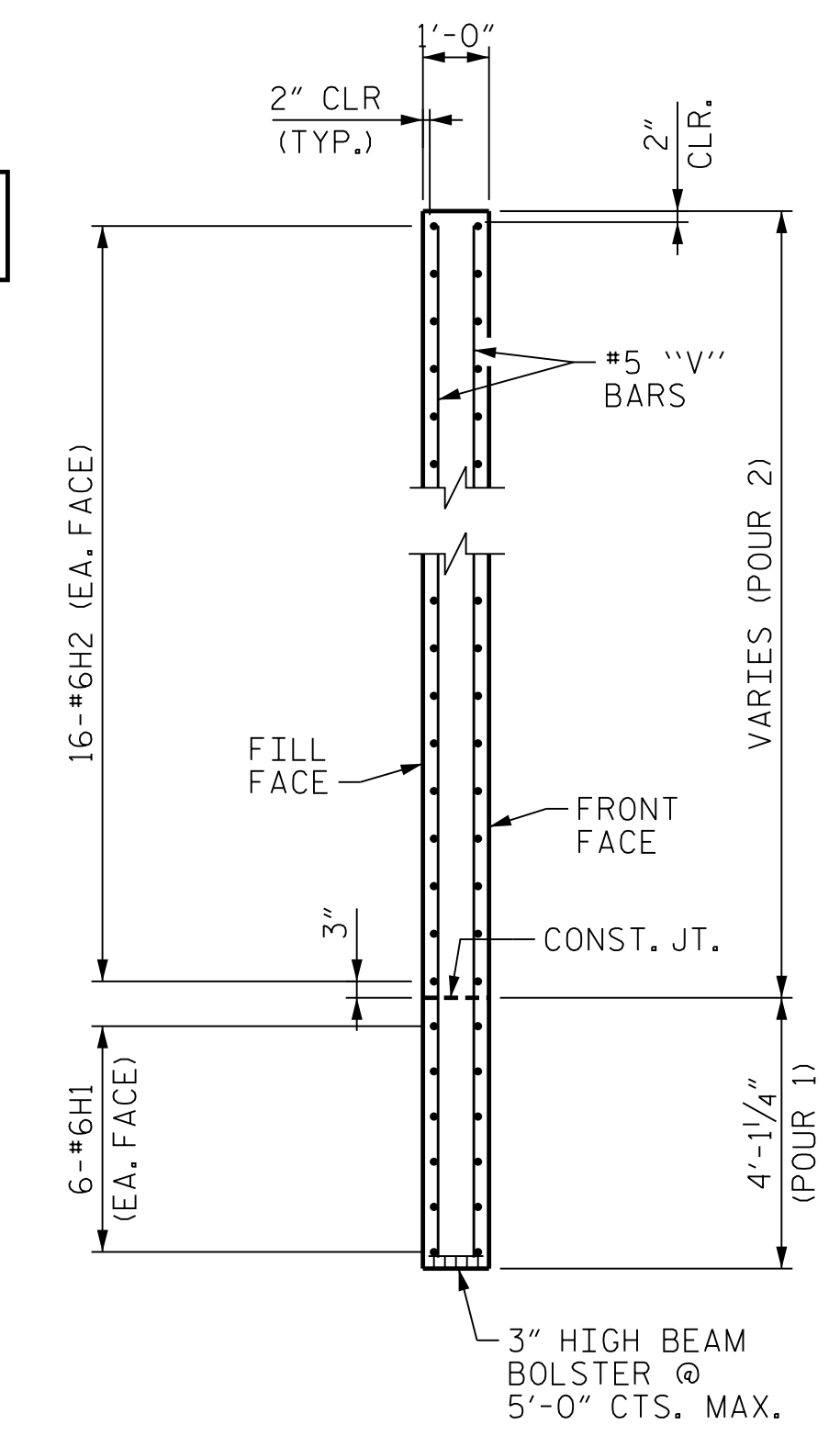


ELEVATION - WINGWALL "W1"



ELEVATION - WINGWALL "W2"

† = PILE CUTOFF ELEVATION 903.26
= PILE CUTOFF ELEVATION 906.21



SECTION C-C

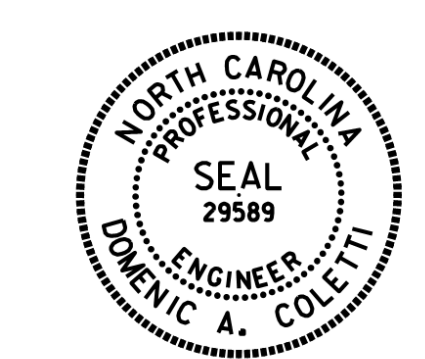
PROJECT NO. U-2579AB
FORSYTH COUNTY
STATION: 58+33.94 -Y15FLYCA-
SHEET 3 OF 4

STATE OF NORTH CAROLINA
DEPARTMENT OF TRANSPORTATION
RALEIGH

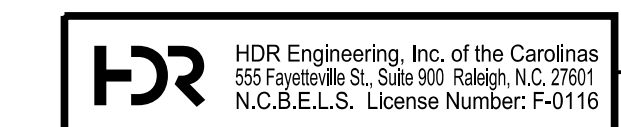
**SUBSTRUCTURE
END BENT 1
WING DETAILS**

| REVISIONS | | | | | |
|-----------|-----|-------|-----|-----|-------|
| NO. | BY: | DATE: | NO. | BY: | DATE: |
| 1 | -- | -- | 3 | -- | -- |
| 2 | -- | -- | 4 | -- | -- |

SHEET NO. S06-081
TOTAL SHEETS 129



Dominic A. Coletti 10/15/2021



DOCUMENT NOT CONSIDERED FINAL UNLESS ALL SIGNATURES COMPLETED

PLOT DRIVER: NCDOT_pdf_color_eng-50.ppt
USER: PPETERSO DATE: 10/14/2021 TIME: 5:18:33 PM
FILE: ...SUBSTR

DES BY: M. BARNES DATE: 07/19
DES CHK: J. EARNEST DATE: 07/19
DWG BY: B. PETERSON DATE: 07/19
CHK BY: J. EARNEST DATE: 08/19