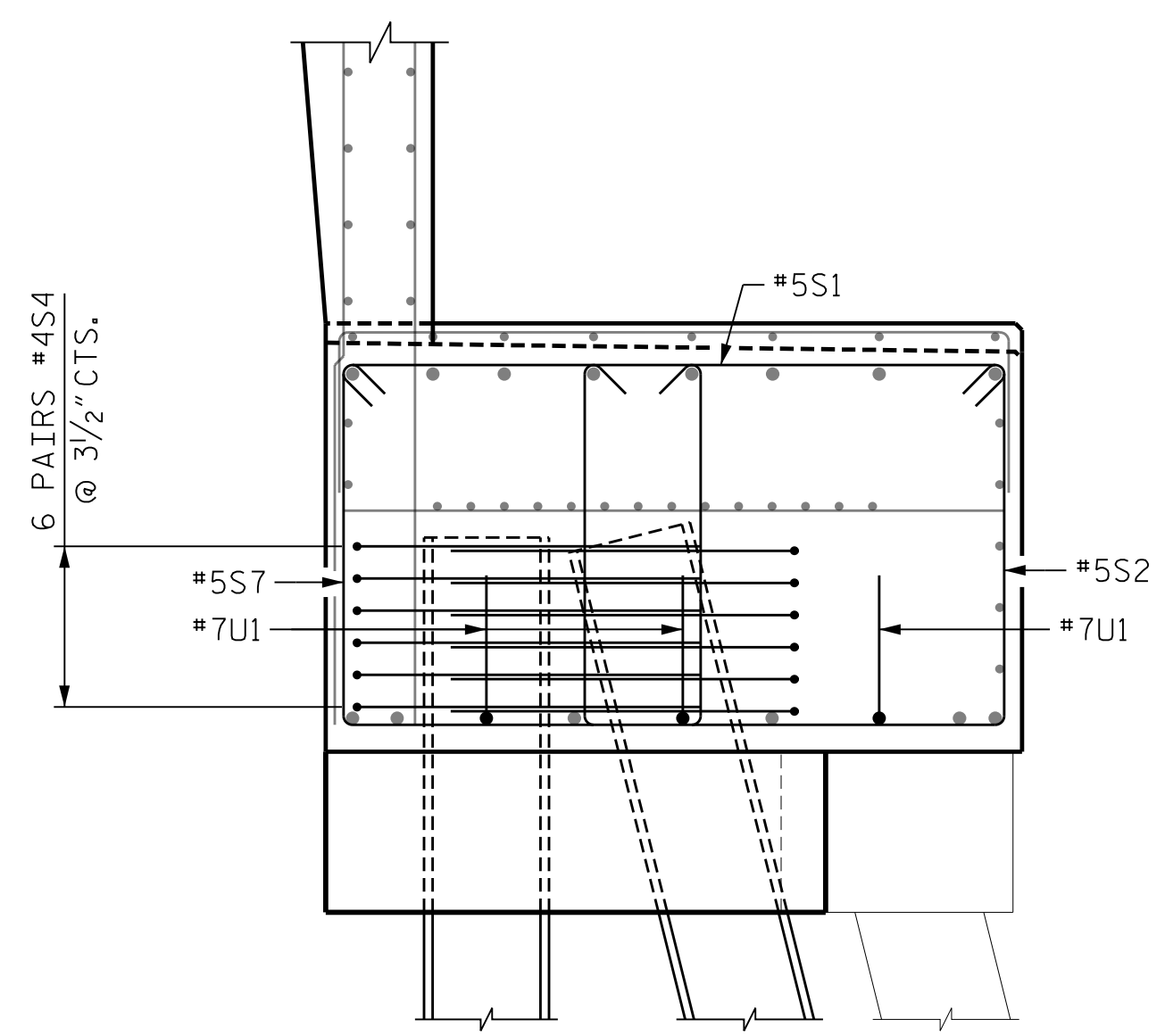
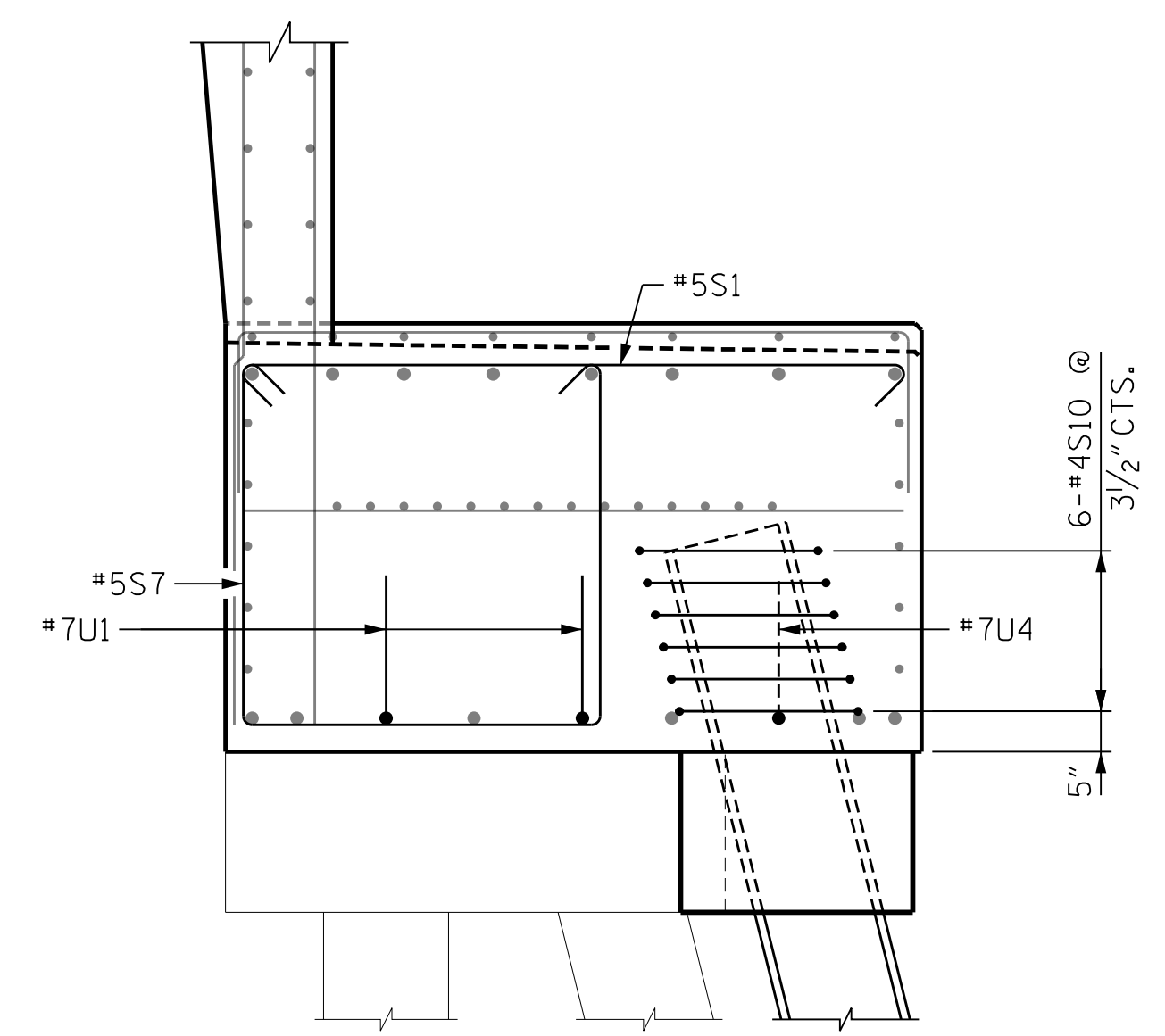


PLAN OF STIRRUPS AND "U" BARS
(TOP & BOTTOM "B" BARS AND S1 BARS NOT SHOWN FOR CLARITY)



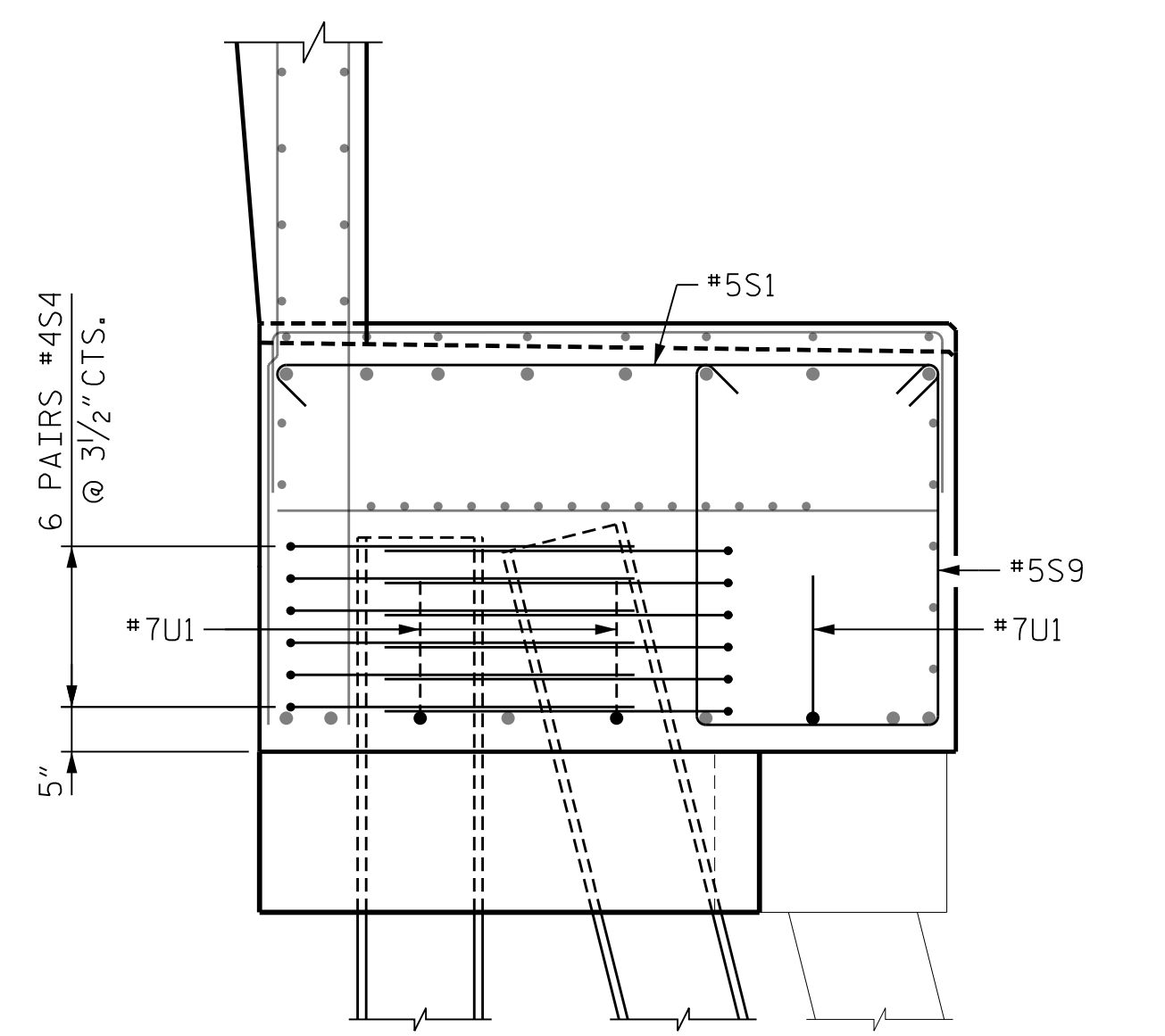
SECTION D-D

SEE SECTION A-A ON "SUBSTRUCTURE END BENT 1"
SHEET 4 OF 4 FOR MORE INFORMATION



SECTION E-E

SEE SECTION A-A ON "SUBSTRUCTURE END BENT 1"
SHEET 4 OF 4 FOR MORE INFORMATION



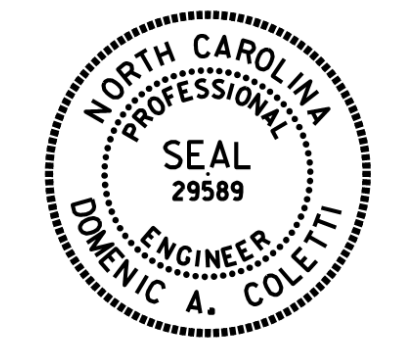
SECTION F-F

SEE SECTION A-A ON "SUBSTRUCTURE END BENT 1"
SHEET 4 OF 4 FOR MORE INFORMATION

PROJECT NO. U-2579AB
FORSYTH COUNTY
STATION: 58+33.94 -Y15FLYCA-
SHEET 2 OF 4

STATE OF NORTH CAROLINA
DEPARTMENT OF TRANSPORTATION
RALEIGH

**SUBSTRUCTURE
END BENT 1
PLAN AND ELEVATION**



Dominic A. Coletti 10/15/2021

PLOT DRIVER: NCDOT.pdf_color_eng-50.ppt
USER: PPETERSO DATE: 10/14/2021
FILE: ...SUBSTR

DES BY: M. BARNES	DATE: 07/19	DWG BY: B. PETERSON	DATE: 07/19
DES CHK: J. EARNEST	DATE: 07/19	CHK BY: J. EARNEST	DATE: 08/19



**DOCUMENT NOT CONSIDERED FINAL
UNLESS ALL SIGNATURES COMPLETED**

REVISIONS						SHEET NO. 506-080 TOTAL SHEETS 129
NO.	BY:	DATE:	NO.	BY:	DATE:	
1	--	--	3	--	--	
2	--	--	4	--	--	