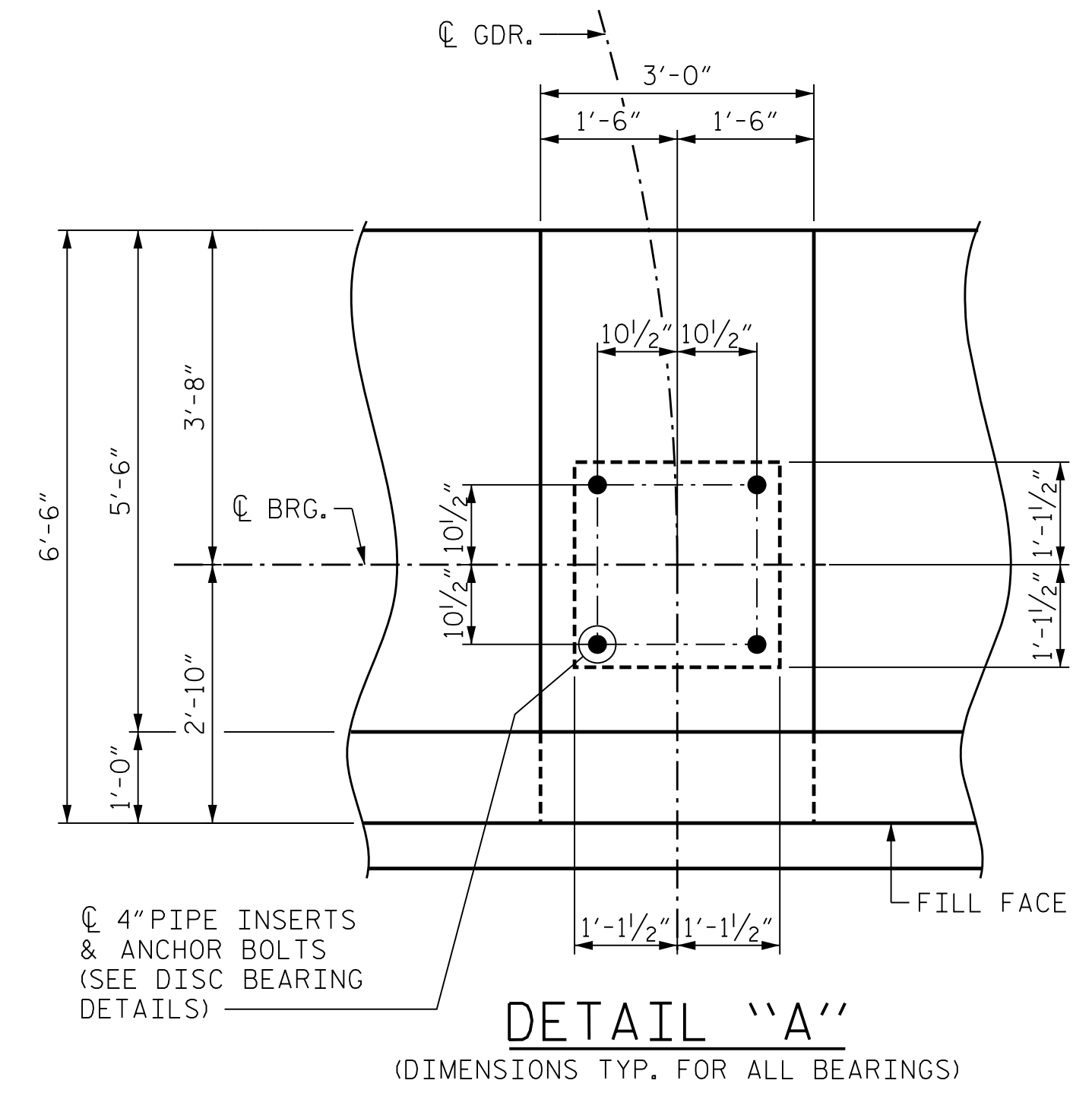


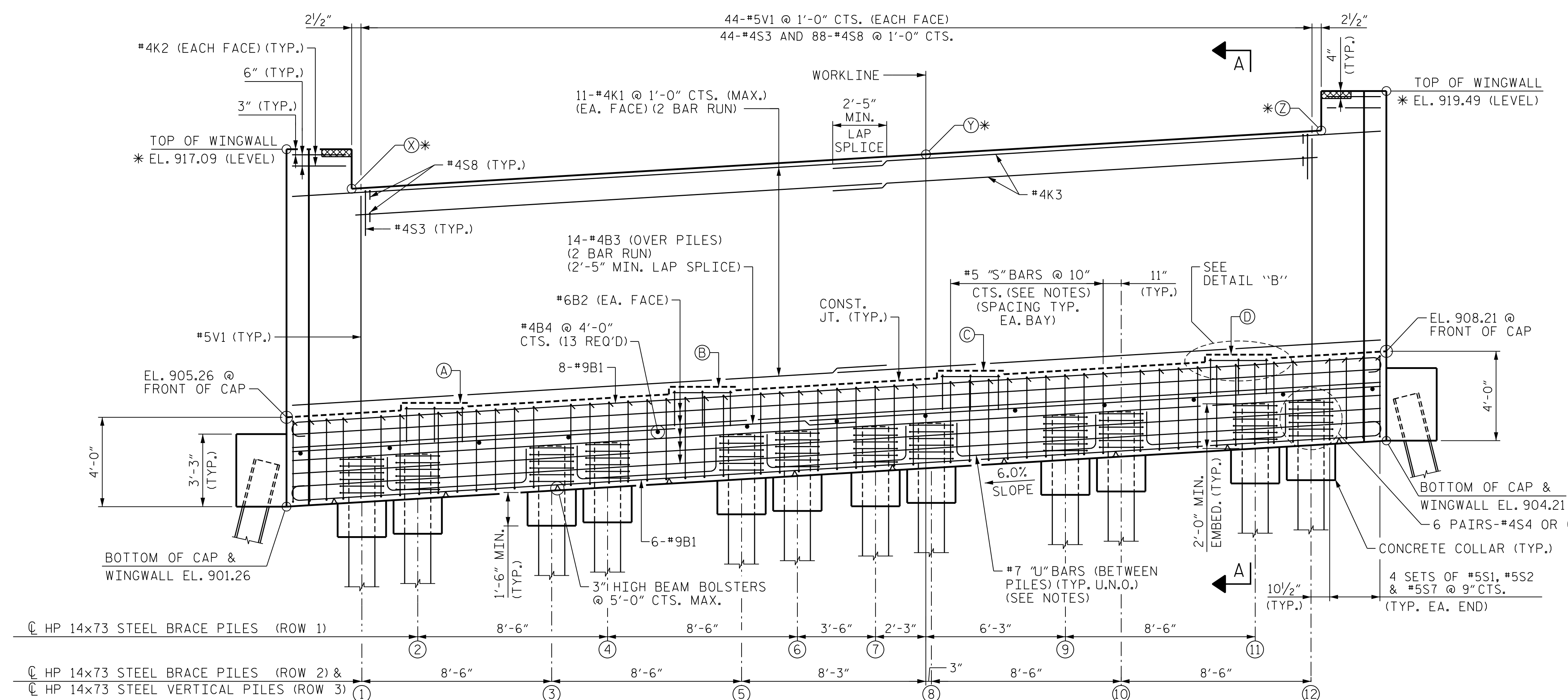
† = THE CONCRETE IN THE SHADED AREA OF THE WING SHALL BE POURED AFTER THE BARRIER RAILS ARE CAST IF SLIP FORMING IS USED.

PLAN

NOTES
 FOR SECTION A-A AND ADDITIONAL NOTES SEE "END BENT 1 SECTION & DETAILS".
 SEE "SUBSTRUCTURE END BENT 1" SHEET 2 OF 4 FOR SPACING AND BAR MARKS OF #4 "S" BARS AROUND PILES, #5 STIRRUPS AND #7 "U" BARS.

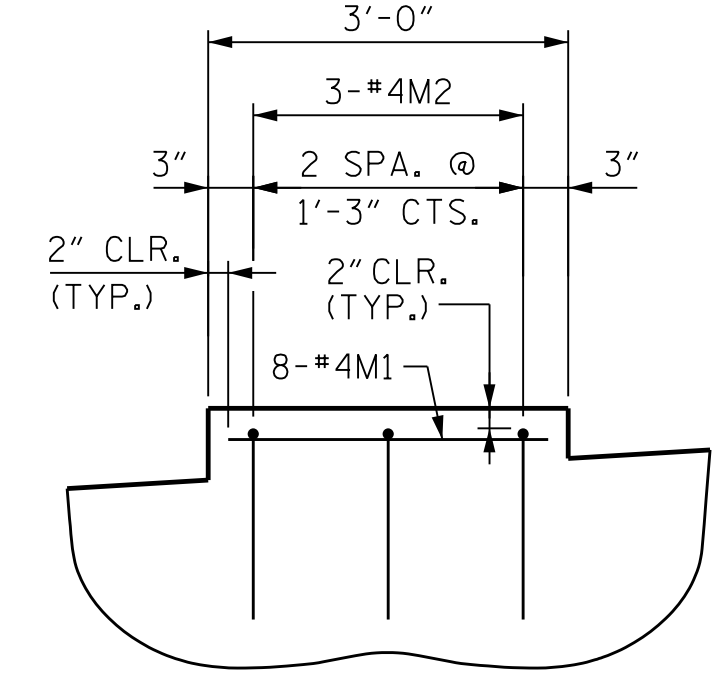


DETAIL "A"
 (DIMENSIONS TYP. FOR ALL BEARINGS)



ELEVATION

ELEVATION TABLE	
LOCATION	ELEVATION
A	905.91
B	906.63
C	907.35
D	908.07
* X	915.33
* Y	916.86
* Z	917.92
* AT FILL FACE	



DETAIL "B"
 (TYP. FOR ALL GIRDERS)

TOP OF PILE ELEVATIONS	
LOCATION	ELEVATION
1	903.50
2	903.65
3	904.01
4	904.16
5	904.52
6	904.67
7	904.88
8	905.03
9	905.39
10	905.54
11	905.90
12	906.05

PROJECT NO. U-2579AB
 FORSYTH COUNTY
 STATION: 58+33.94 -Y15FLYCA-

SHEET 1 OF 4



STATE OF NORTH CAROLINA
 DEPARTMENT OF TRANSPORTATION
 RALEIGH
**SUBSTRUCTURE
 END BENT 1
 PLAN AND ELEVATION**

REVISIONS						SHEET NO.	
NO.	BY:	DATE:	NO.	BY:	DATE:	506-079	
1	--	--	3	--	--	TOTAL SHEETS	
2	--	--	4	--	--	129	

PLOT DRIVER: NCDOT_pdf_color_eng-50dpi
 USER: PETERSON
 DATE: 10/14/2021
 TIME: 5:18:22 PM
 FILE: ...SUBSTR

DES BY: M. BARNES DATE: 07/19
 DES CHK: J. EARNEST DATE: 07/19
 DWG BY: B. PETERSON DATE: 07/19
 CHK BY: J. EARNEST DATE: 08/19



DOCUMENT NOT CONSIDERED FINAL
 UNLESS ALL SIGNATURES COMPLETED
 10/15/2021