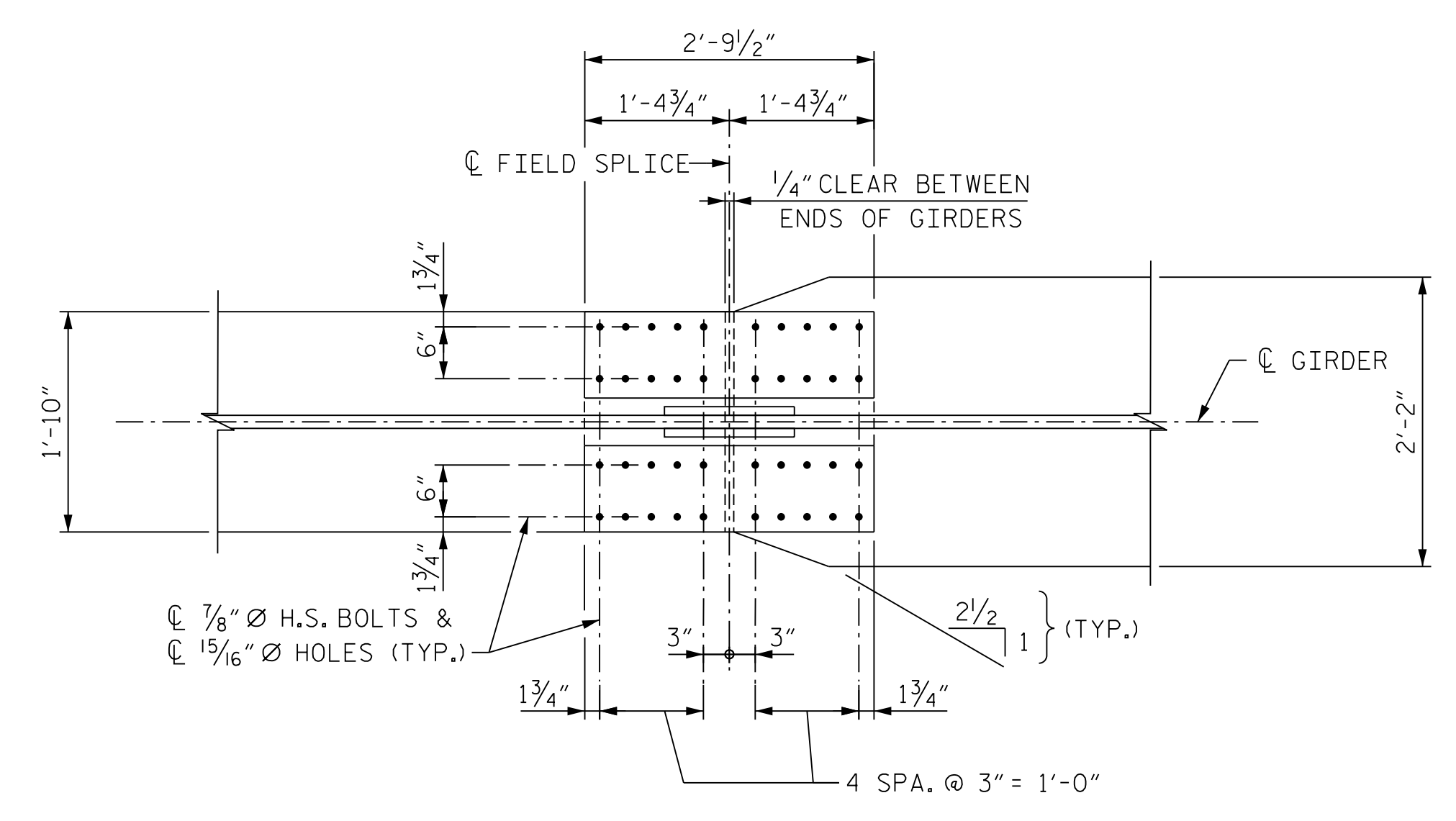
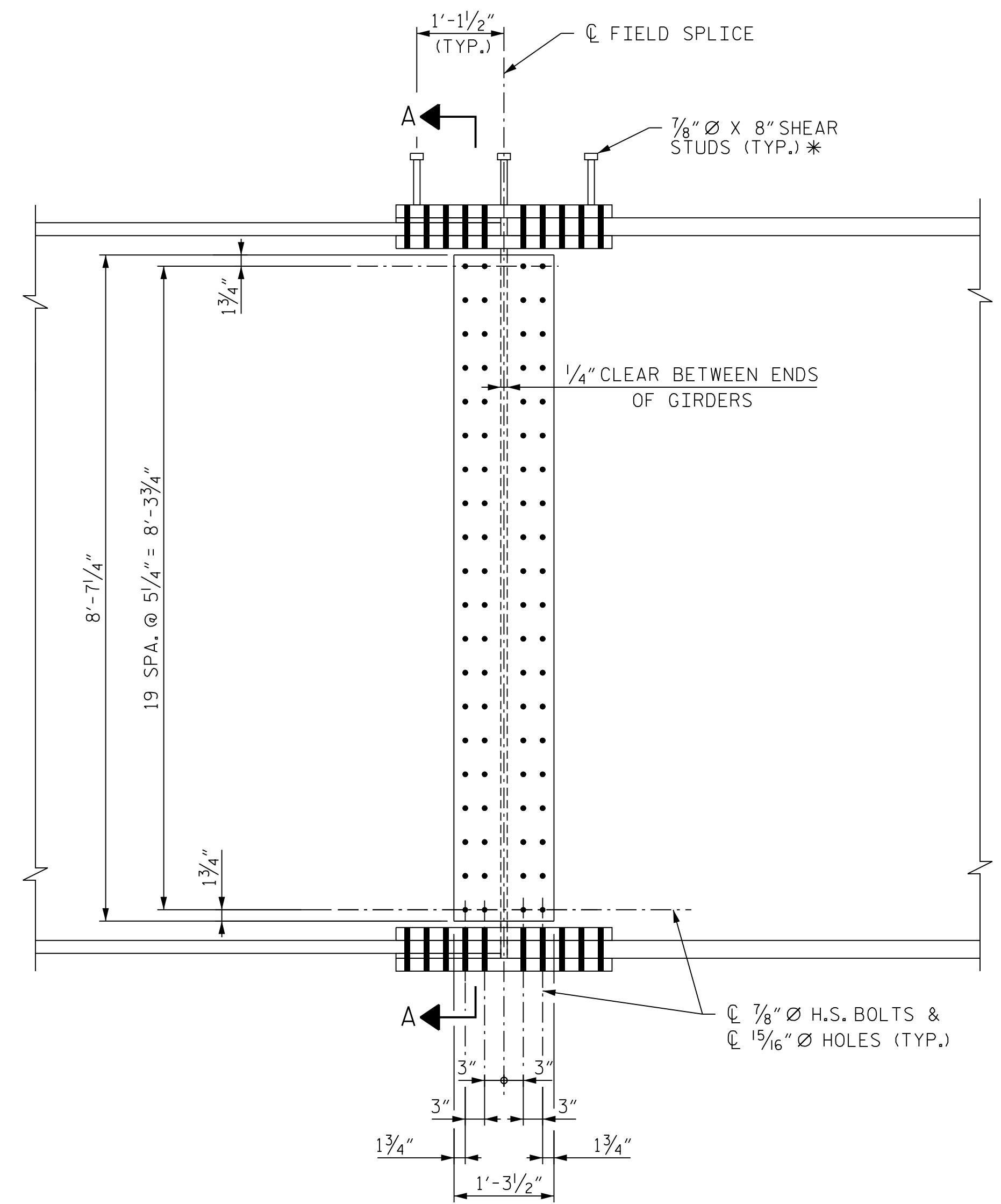


PLAN (TOP OF TOP FLANGE)
(STUDS NOT SHOWN FOR CLARITY)

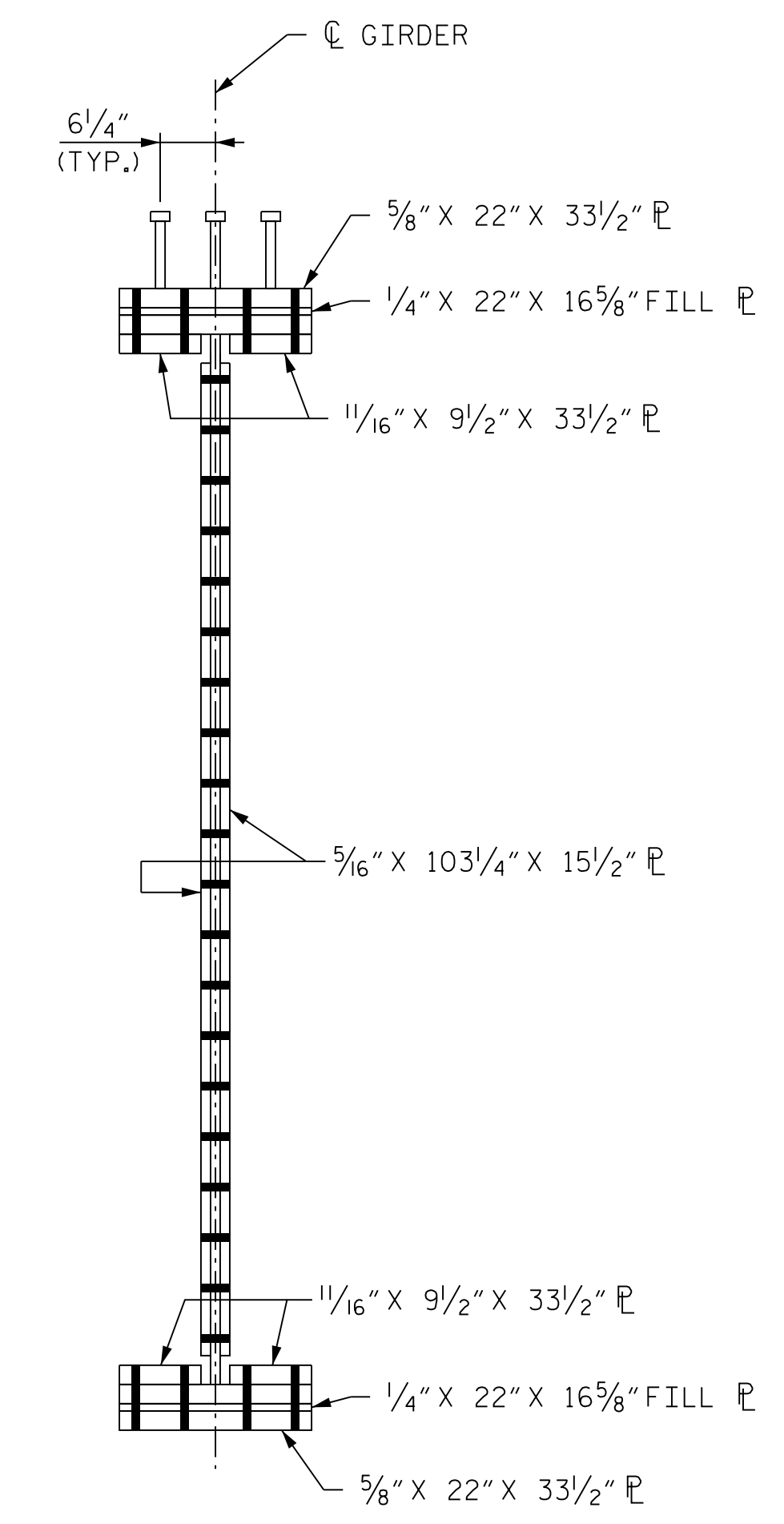


PLAN (TOP OF BOTTOM FLANGE)

* = SHEAR STUDS ARE TO BE SHOP WELDED ON TOP OF PLATE BEFORE FIELD ASSEMBLY



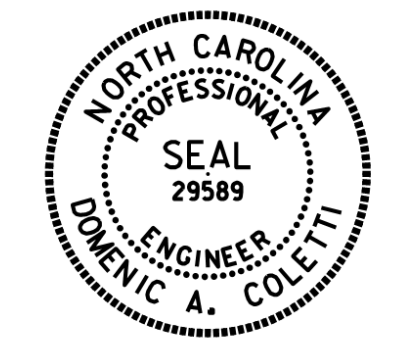
ELEVATION



SECTION A-A

NOTE
ORIENTATION OF PLAN AND ELEVATION VIEWS MAY VARY BASED ON FIELD SPLICE LOCATION

PROJECT NO. U-2579AB
FORSYTH COUNTY
 STATION: 58+33.94 -Y15FLYCA-
 SHEET 14 OF 14



STATE OF NORTH CAROLINA
 DEPARTMENT OF TRANSPORTATION
 RALEIGH

**SUPERSTRUCTURE
 BOLTED FIELD SPLICE
 DETAILS - TYPE "N"**

PLOT DRIVER: NCDOT_pdf_color_eng-50dpi
 USER: PPETERSO DATE: 10/14/2021
 FILE: ... \SUPERS

DES BY: M. NEHEISEL	DATE: 06/19	DWG BY: B. PETERSON	DATE: 06/19
DES CHK: G. SCHMITZ	DATE: 08/19	CHK BY: G. SCHMITZ	DATE: 09/19



10/15/2021

**DOCUMENT NOT CONSIDERED FINAL
 UNLESS ALL SIGNATURES COMPLETED**

REVISIONS					
NO.	BY:	DATE:	NO.	BY:	DATE:
1	--	--	3	--	--
2	--	--	4	--	--

SHEET NO. 506-053
TOTAL SHEETS 129