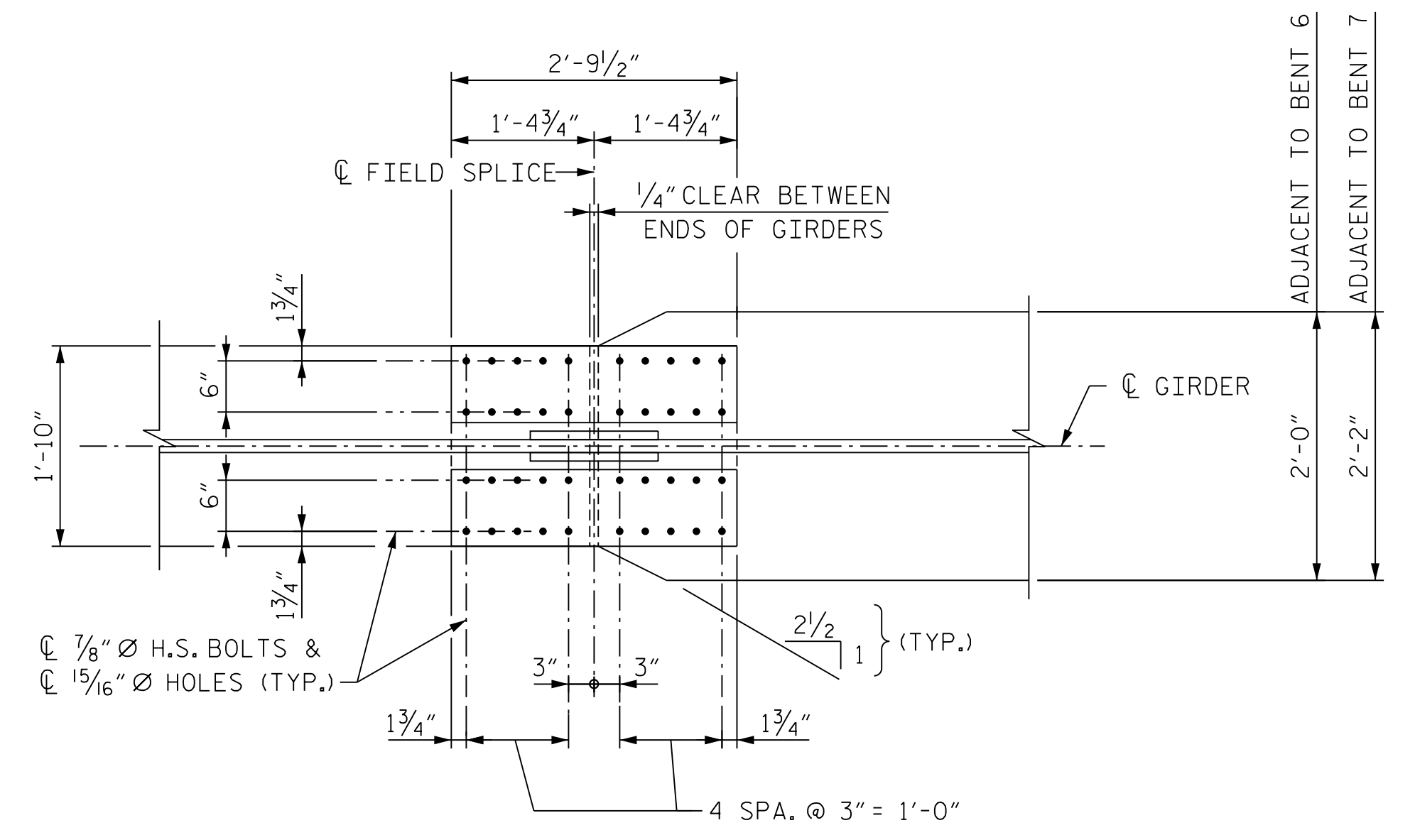
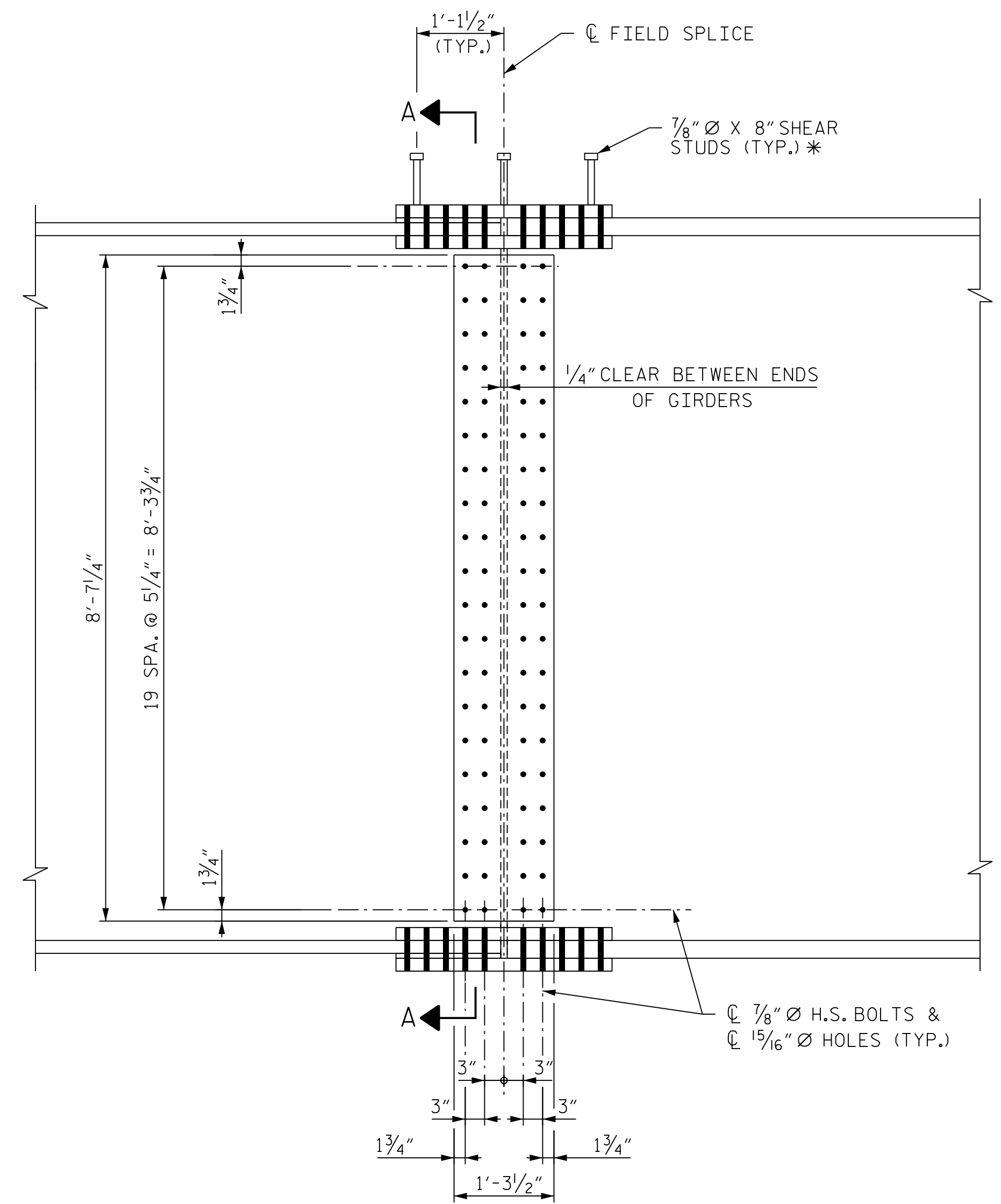


PLAN (TOP OF TOP FLANGE)
(STUDS NOT SHOWN FOR CLARITY)

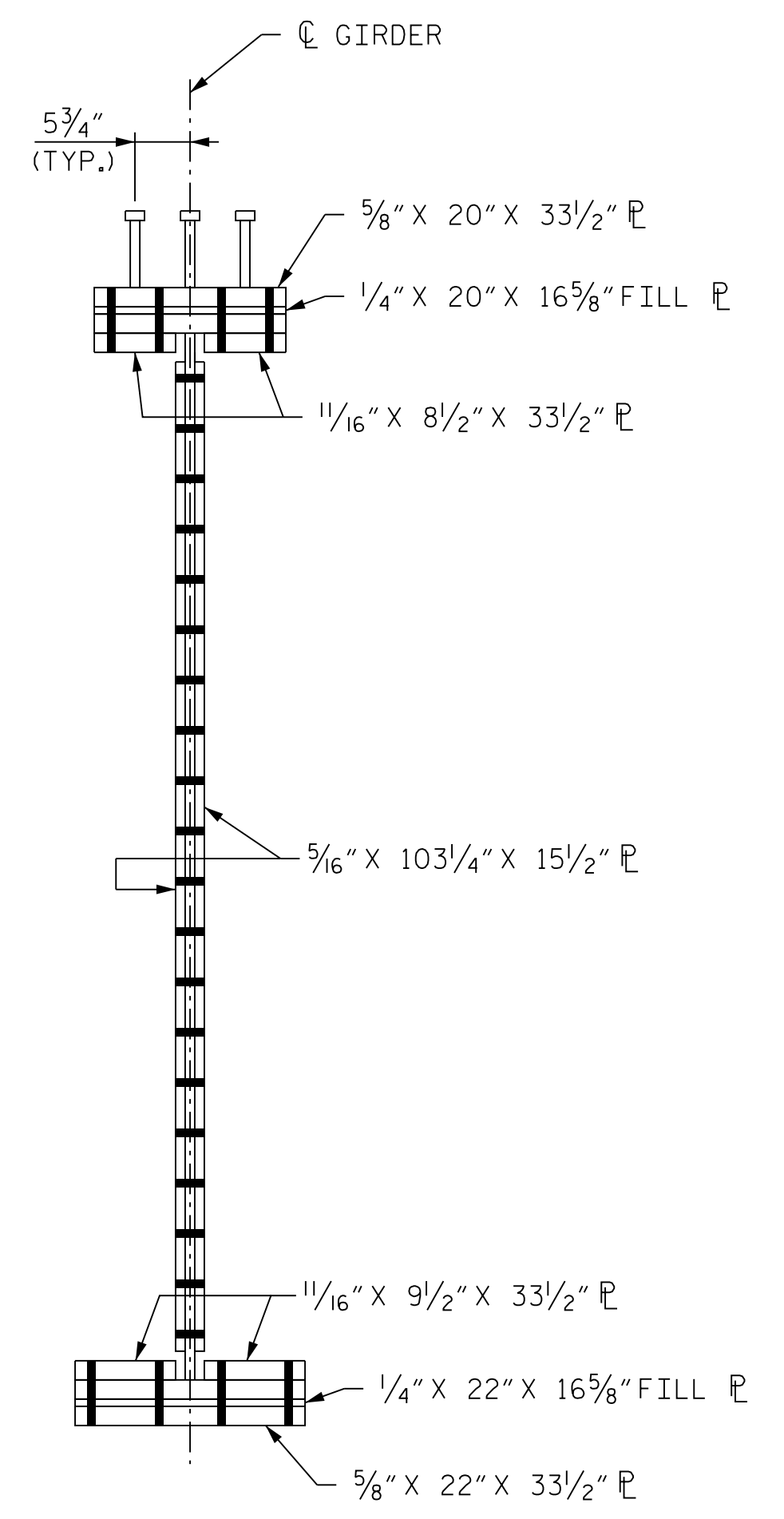
* = SHEAR STUDS ARE TO BE SHOP WELDED ON TOP OF PLATE BEFORE FIELD ASSEMBLY



PLAN (TOP OF BOTTOM FLANGE)



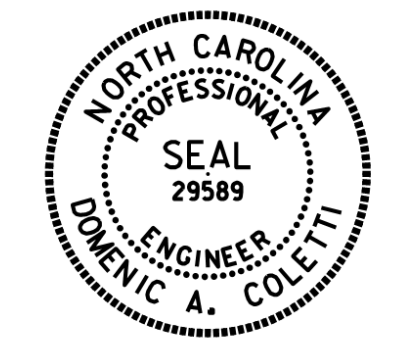
ELEVATION



SECTION A-A

NOTE
ORIENTATION OF PLAN AND ELEVATION VIEWS MAY VARY BASED ON FIELD SPLICE LOCATION

PROJECT NO. U-2579AB
FORSYTH COUNTY
 STATION: 58+33.94 -Y15FLYCA-
 SHEET 13 OF 14



Dominic A. Coletti 10/15/2021

STATE OF NORTH CAROLINA
 DEPARTMENT OF TRANSPORTATION
 RALEIGH

**SUPERSTRUCTURE
 BOLTED FIELD SPLICE
 DETAILS - TYPE "M"**

REVISIONS						SHEET NO. S06-052 TOTAL SHEETS 129
NO.	BY:	DATE:	NO.	BY:	DATE:	
1	--	--	3	--	--	
2	--	--	4	--	--	



**DOCUMENT NOT CONSIDERED FINAL
 UNLESS ALL SIGNATURES COMPLETED**

PLOT DRIVER: NCDOT_pdf_color_eng-50dpi
 USER: PPETERSO DATE: 10/14/2021
 PENTABLE: NCDOT_STRUCTURES_DEFAULT_PEN.tbl
 TIME: 5:15:24 PM
 FILE: ... \SUPERS

DES BY: <u>M. NEHEISEL</u>	DATE: <u>06/19</u>	DWG BY: <u>B. PETERSON</u>	DATE: <u>06/19</u>
DES CHK: <u>D. OLDS</u>	DATE: <u>08/19</u>	CHK BY: <u>G. SCHMITZ</u>	DATE: <u>09/19</u>