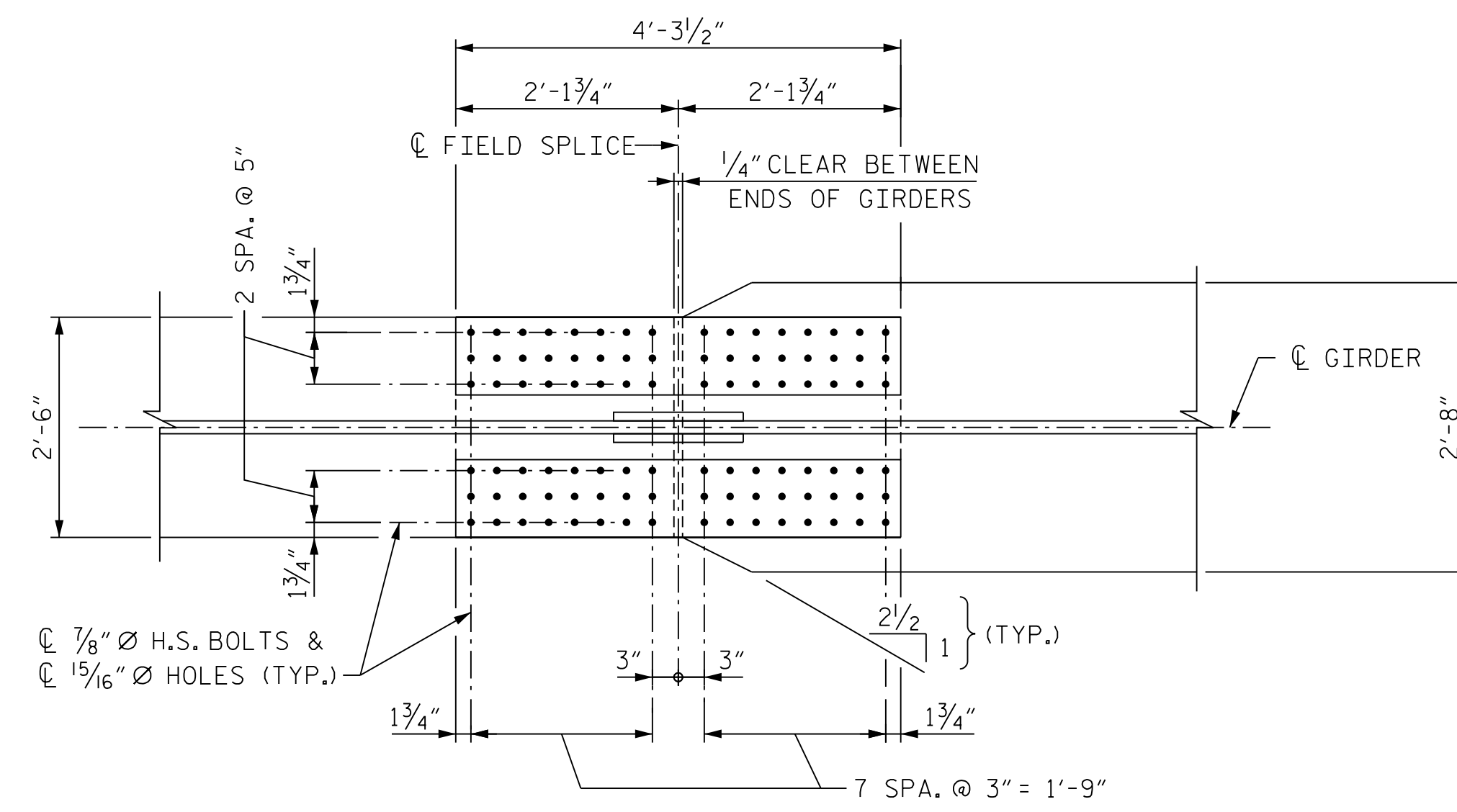


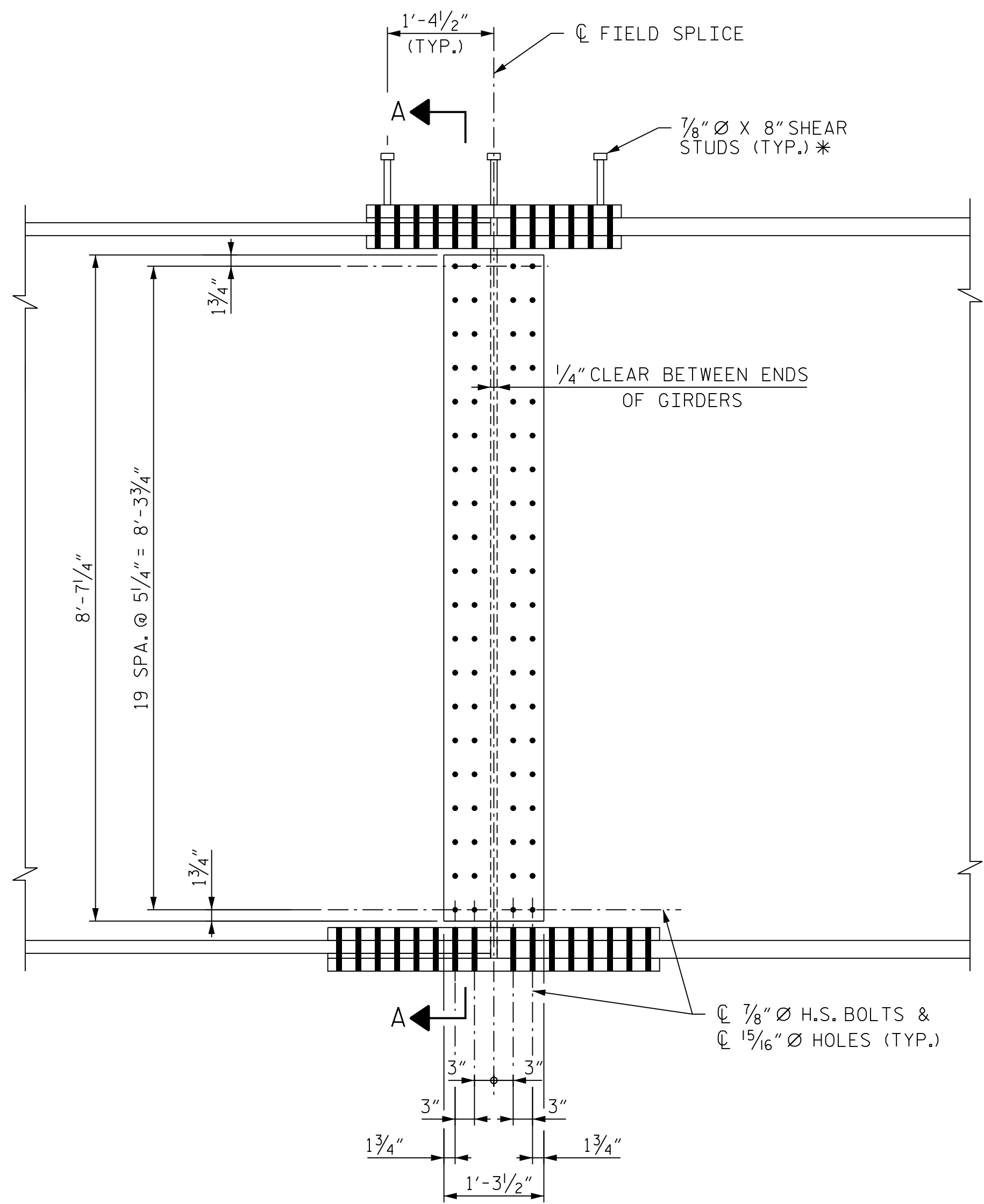
**PLAN (TOP OF TOP FLANGE)**

(STUDS NOT SHOWN FOR CLARITY)

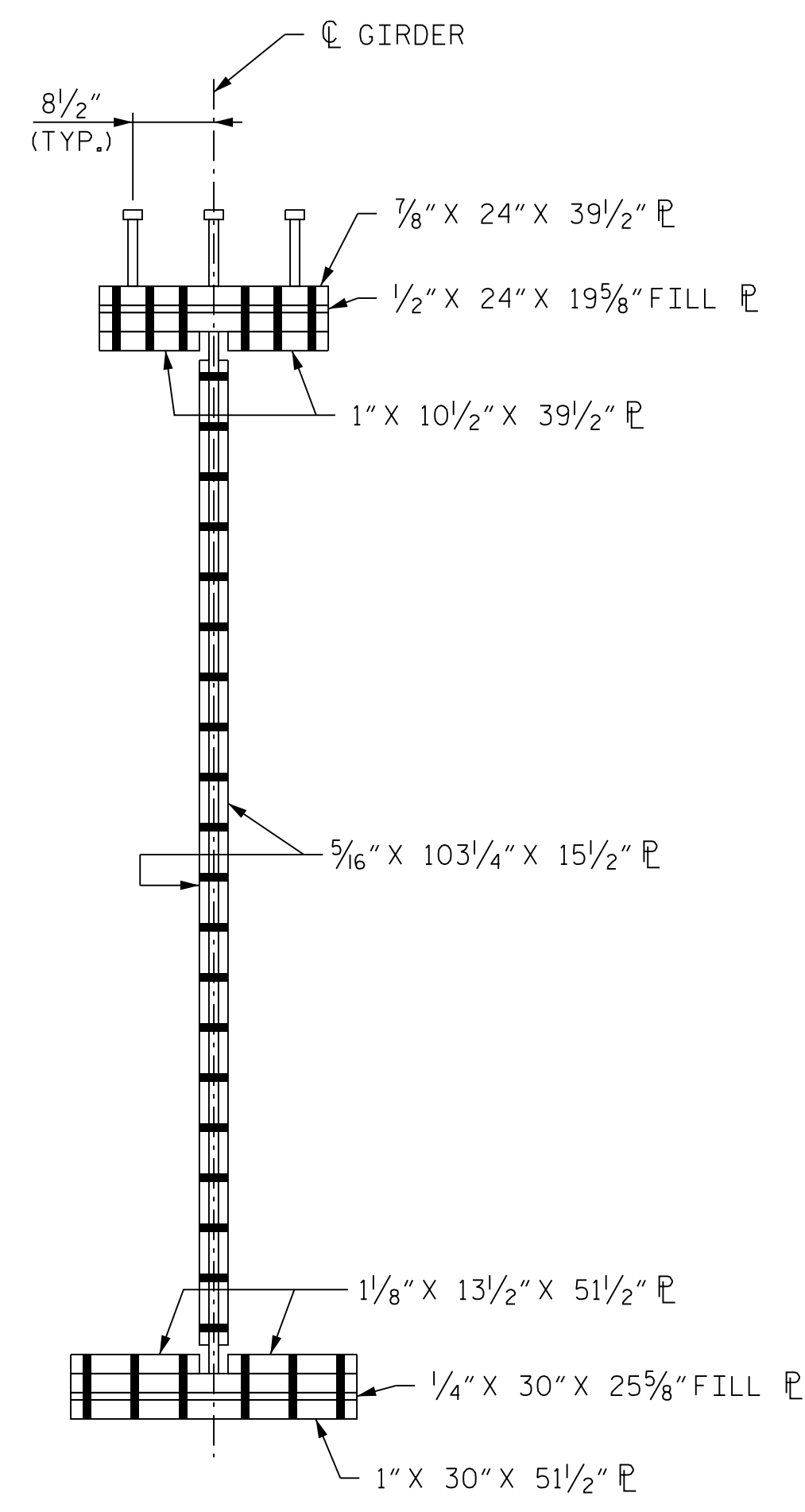
\* = SHEAR STUDS ARE TO BE SHOP WELDED ON TOP OF PLATE BEFORE FIELD ASSEMBLY



**PLAN (TOP OF BOTTOM FLANGE)**



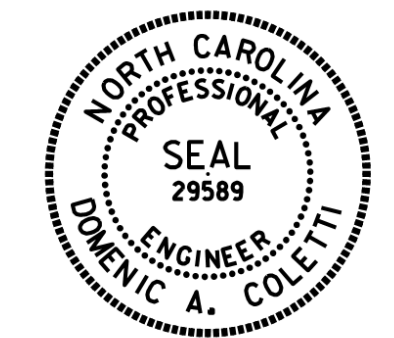
**ELEVATION**



**SECTION A-A**

**NOTE**  
ORIENTATION OF PLAN AND ELEVATION VIEWS MAY VARY BASED ON FIELD SPLICE LOCATION

PROJECT NO. U-2579AB  
FORSYTH COUNTY  
STATION: 58+33.94 -Y15FLYCA-  
SHEET 12 OF 14



*Dominic A. Coletti* 10/15/2021

STATE OF NORTH CAROLINA  
DEPARTMENT OF TRANSPORTATION  
RALEIGH

**SUPERSTRUCTURE  
BOLTED FIELD SPLICE  
DETAILS - TYPE "L"**

REVISIONS						SHEET NO. S06-051
NO.	BY:	DATE:	NO.	BY:	DATE:	
1	--	--	3	--	--	TOTAL SHEETS 129
2	--	--	4	--	--	

**HDR** HDR Engineering, Inc. of the Carolinas  
555 Fayetteville St., Suite 900 Raleigh, N.C. 27601  
N.C.B.E.L.S. License Number: F-0116

**DOCUMENT NOT CONSIDERED FINAL  
UNLESS ALL SIGNATURES COMPLETED**

PLOT DRIVER: NCDOT\_pdf\_color\_eng-50dpi  
 USER: PPETERSO DATE: 10/14/2021  
 PENTABLE: NCDOT\_STRUCTURES\_DEFAULT\_PEN.tbl TIME: 5:15:22 PM  
 FILE: ... \SUPERS

DES BY: <u>G. SCHMITZ</u>	DATE: <u>06/19</u>	DWG BY: <u>B. PETERSON</u>	DATE: <u>06/19</u>
DES CHK: <u>D. OLDS</u>	DATE: <u>08/19</u>	CHK BY: <u>G. SCHMITZ</u>	DATE: <u>09/19</u>