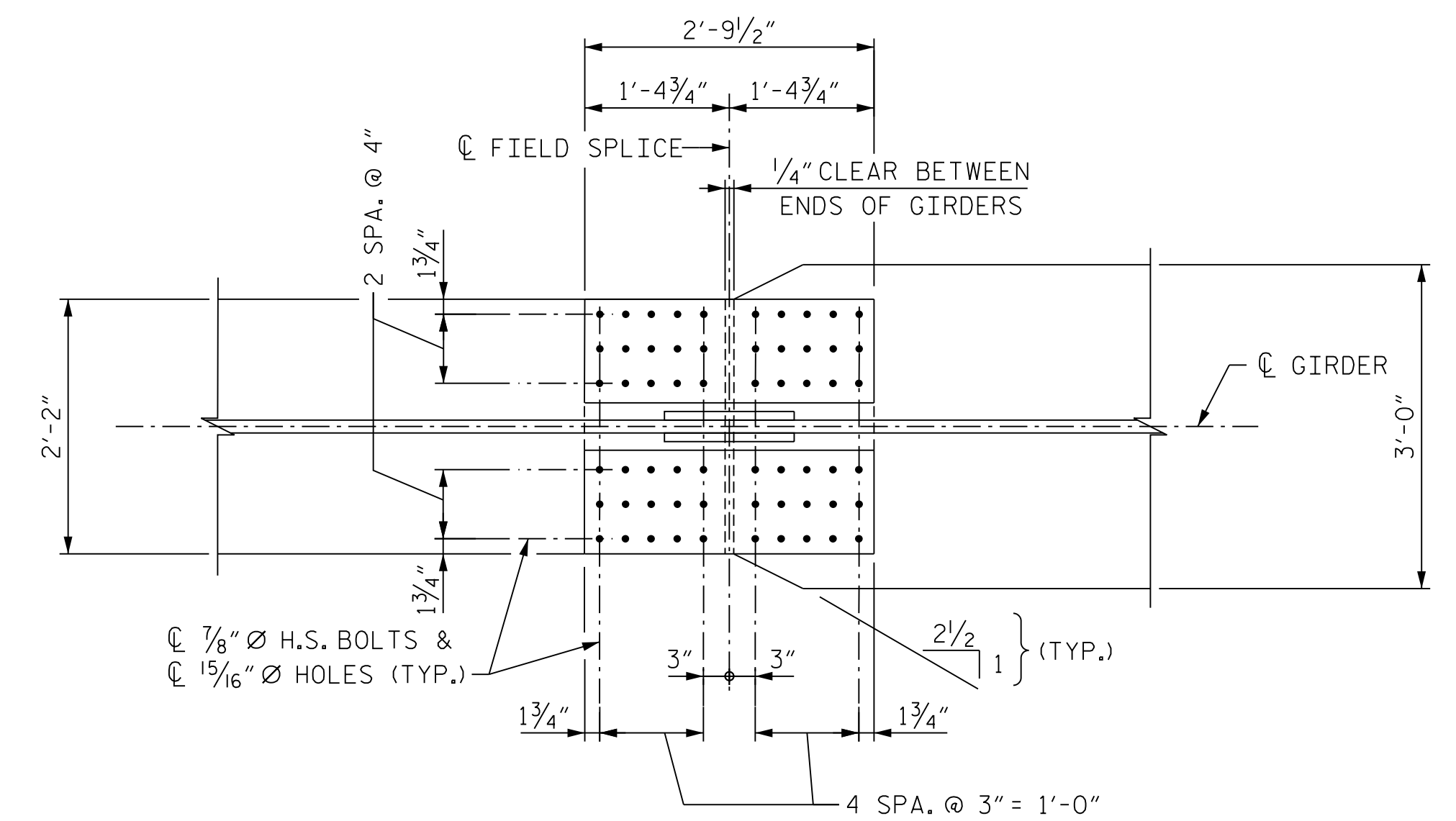
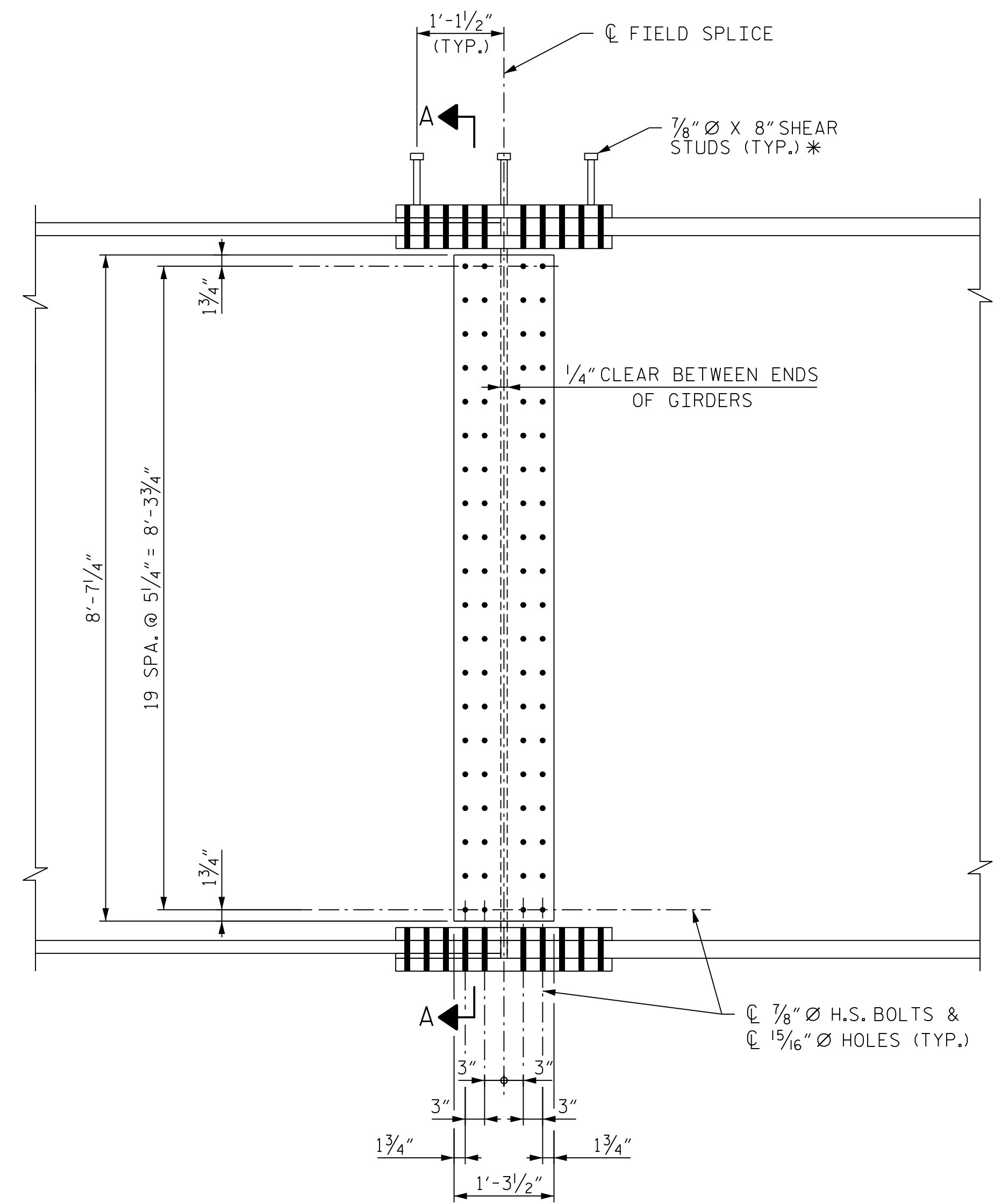


PLAN (TOP OF TOP FLANGE)
(STUDS NOT SHOWN FOR CLARITY)

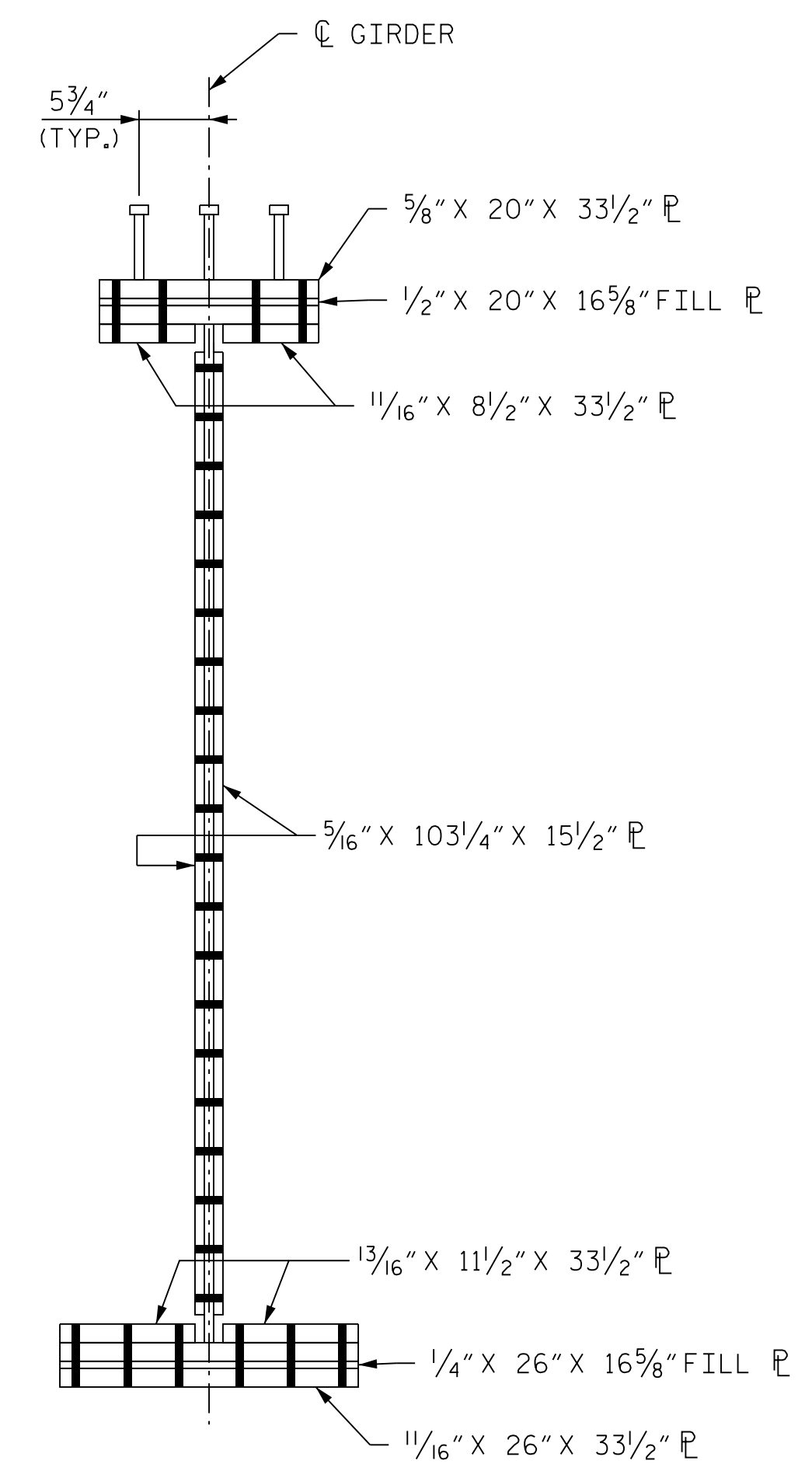
* = SHEAR STUDS ARE TO BE SHOP WELDED ON TOP OF PLATE BEFORE FIELD ASSEMBLY



PLAN (TOP OF BOTTOM FLANGE)



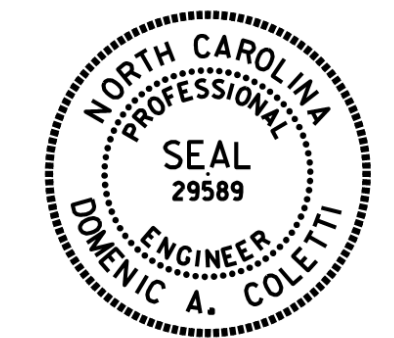
ELEVATION



SECTION A-A

NOTE
ORIENTATION OF PLAN AND ELEVATION VIEWS MAY VARY BASED ON FIELD SPLICE LOCATION

PROJECT NO. U-2579AB
FORSYTH COUNTY
STATION: 58+33.94 -Y15FLYCA-
SHEET 10 OF 14



Dominic A. Coletti 10/15/2021

STATE OF NORTH CAROLINA
DEPARTMENT OF TRANSPORTATION
RALEIGH

**SUPERSTRUCTURE
BOLTED FIELD SPLICE
DETAILS - TYPE "J"**

REVISIONS						SHEET NO. S06-049
NO.	BY:	DATE:	NO.	BY:	DATE:	
1	--	--	3	--	--	TOTAL SHEETS 129
2	--	--	4	--	--	

HDR HDR Engineering, Inc. of the Carolinas
555 Fayetteville St., Suite 900 Raleigh, N.C. 27601
N.C.B.E.L.S. License Number: F-0116

**DOCUMENT NOT CONSIDERED FINAL
UNLESS ALL SIGNATURES COMPLETED**

PLOT DRIVER: NCDOT_pdf_color_eng-50.ppt
USER: PPETERSO DATE: 10/14/2021
PENTABLE: NCDOT_STRUCTURES_DEFAULT_PEN.tbl
TIME: 5:15:20 PM
FILE: ... \SUPERS

DES BY: <u>G. SCHMITZ</u>	DATE: <u>06/19</u>	DWG BY: <u>B. PETERSON</u>	DATE: <u>06/19</u>
DES CHK: <u>D. OLDS</u>	DATE: <u>08/19</u>	CHK BY: <u>G. SCHMITZ</u>	DATE: <u>09/19</u>