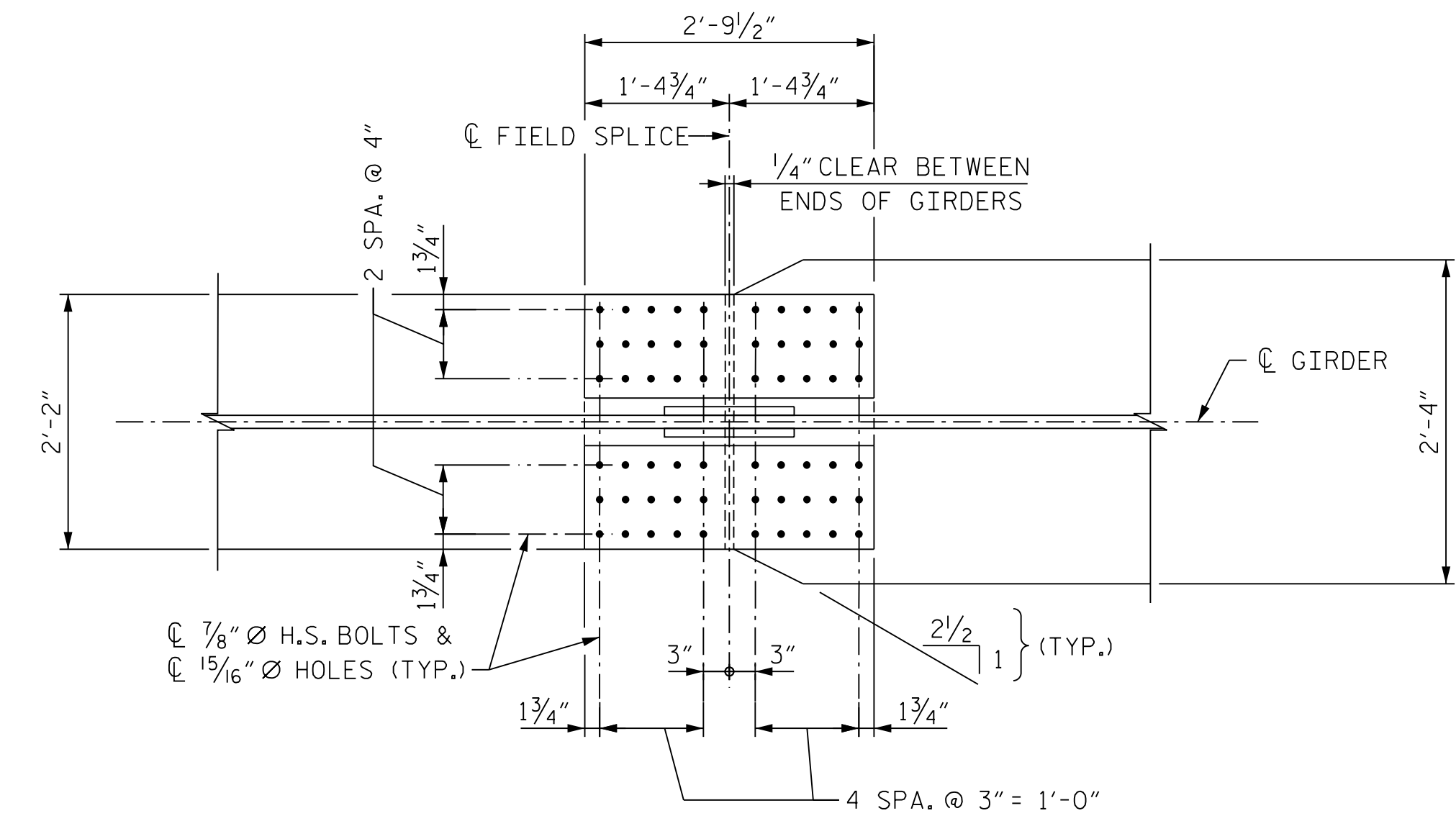
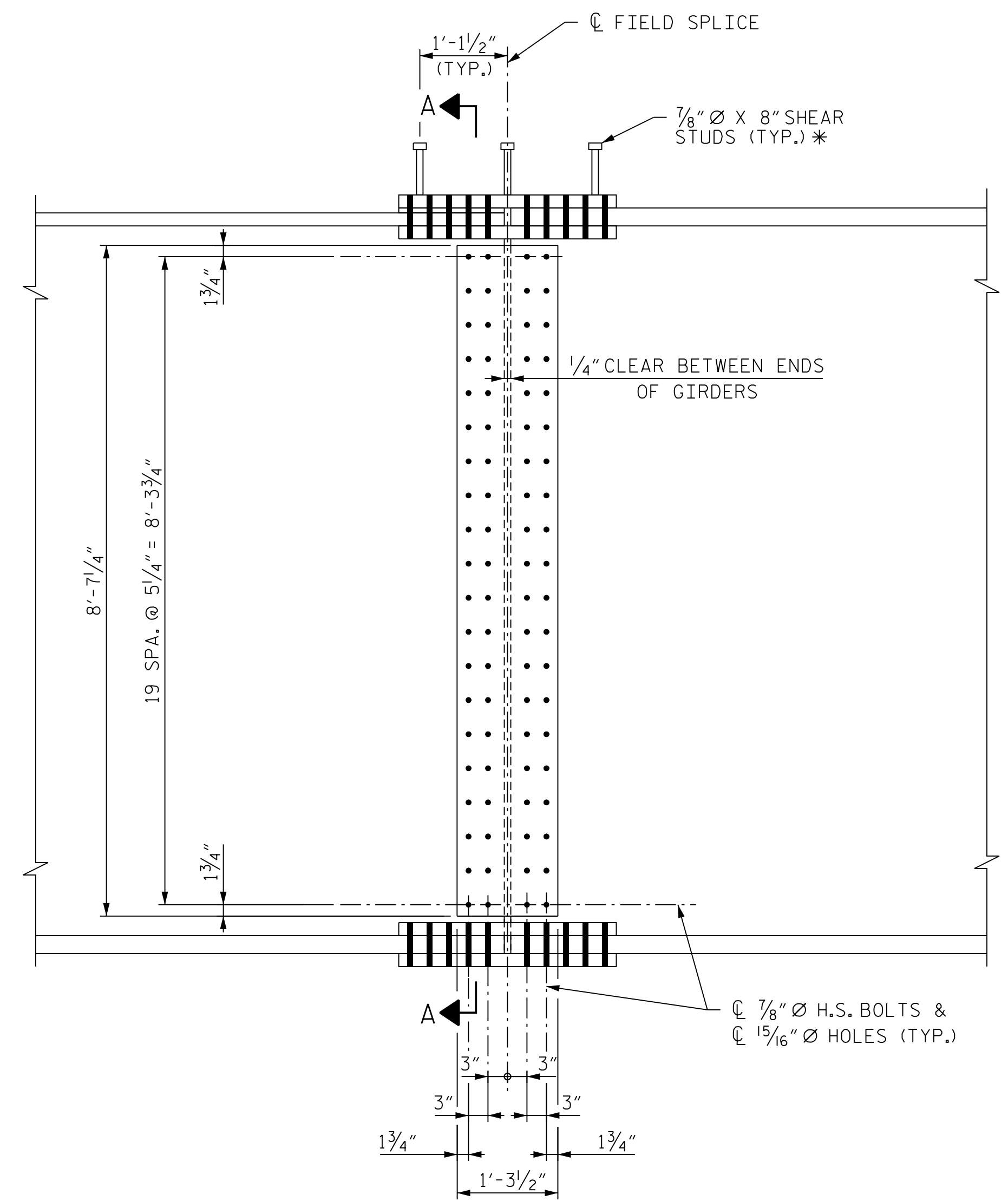


PLAN (TOP OF TOP FLANGE)
(STUDS NOT SHOWN FOR CLARITY)

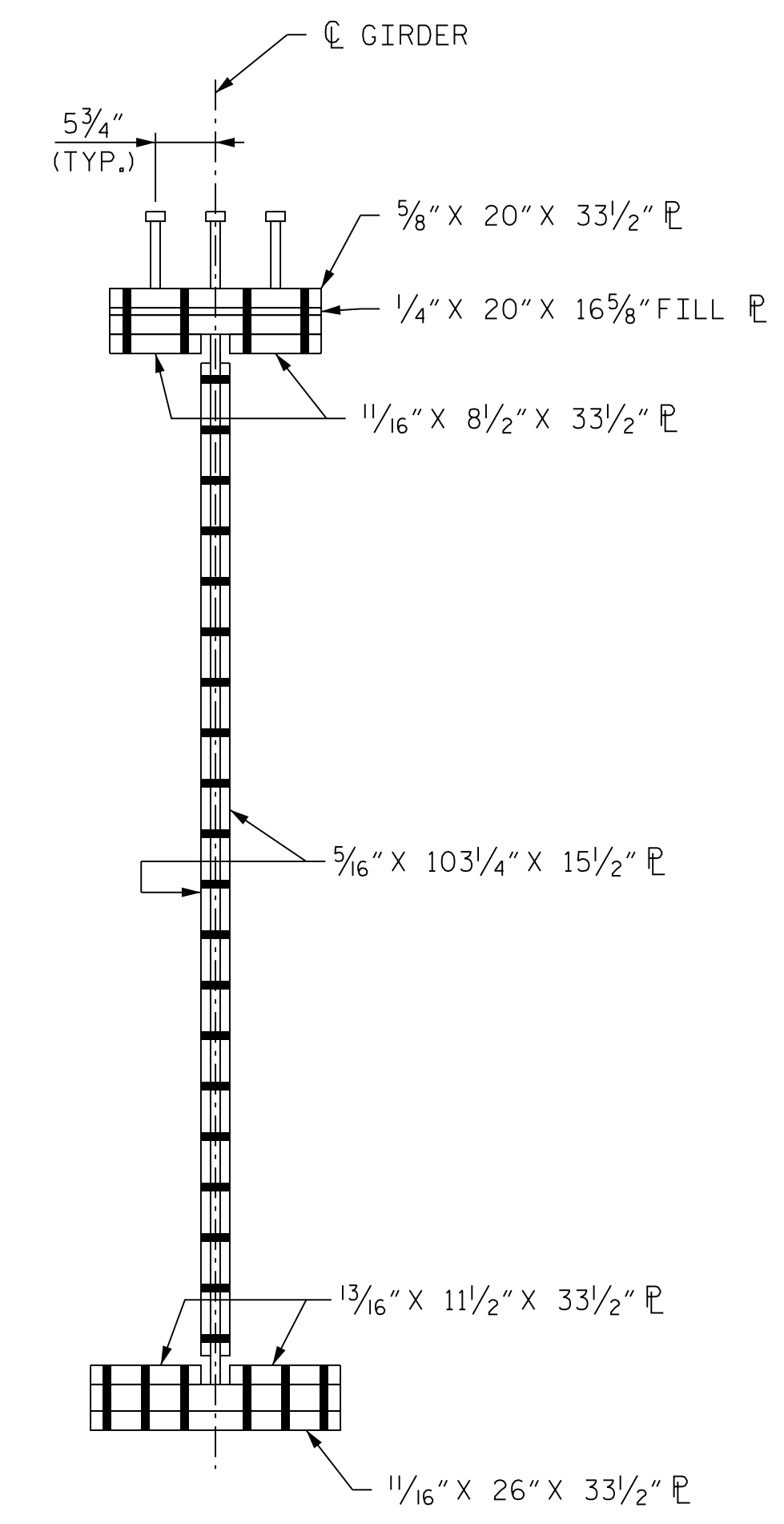


PLAN (TOP OF BOTTOM FLANGE)

* = SHEAR STUDS ARE TO BE SHOP WELDED ON TOP OF PLATE BEFORE FIELD ASSEMBLY



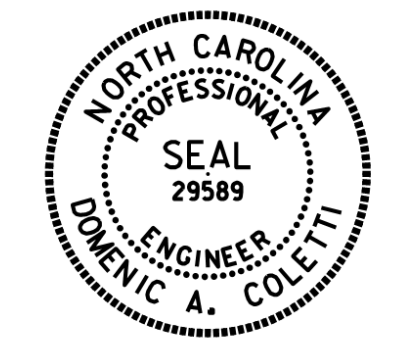
ELEVATION



SECTION A-A

NOTE
ORIENTATION OF PLAN AND ELEVATION VIEWS MAY VARY BASED ON FIELD SPLICE LOCATION

PROJECT NO. U-2579AB
FORSYTH COUNTY
 STATION: 58+33.94 -Y15FLYCA-
 SHEET 9 OF 14



STATE OF NORTH CAROLINA
 DEPARTMENT OF TRANSPORTATION
 RALEIGH

**SUPERSTRUCTURE
 BOLTED FIELD SPLICE
 DETAILS - TYPE "I"**

PLOT DRIVER: NCDOT_pdf_color_eng-50dpi
 USER: PPETERSO DATE: 10/14/2021
 PENTABLE: NCDOT_STRUCTURES_DEFAULT_PEN.tbl TIME: 5:15:19 PM
 FILE: ... \SUPERS

DES BY: G. SCHMITZ	DATE: 06/19	DWG BY: B. PETERSON	DATE: 06/19
DES CHK: D. OLDS	DATE: 08/19	CHK BY: G. SCHMITZ	DATE: 09/19



Domini A. Coletti 10/15/2021

DOCUMENT NOT CONSIDERED FINAL
 UNLESS ALL SIGNATURES COMPLETED

REVISIONS						SHEET NO. 506-048 TOTAL SHEETS 129
NO.	BY:	DATE:	NO.	BY:	DATE:	
1	--	--	3	--	--	
2	--	--	4	--	--	