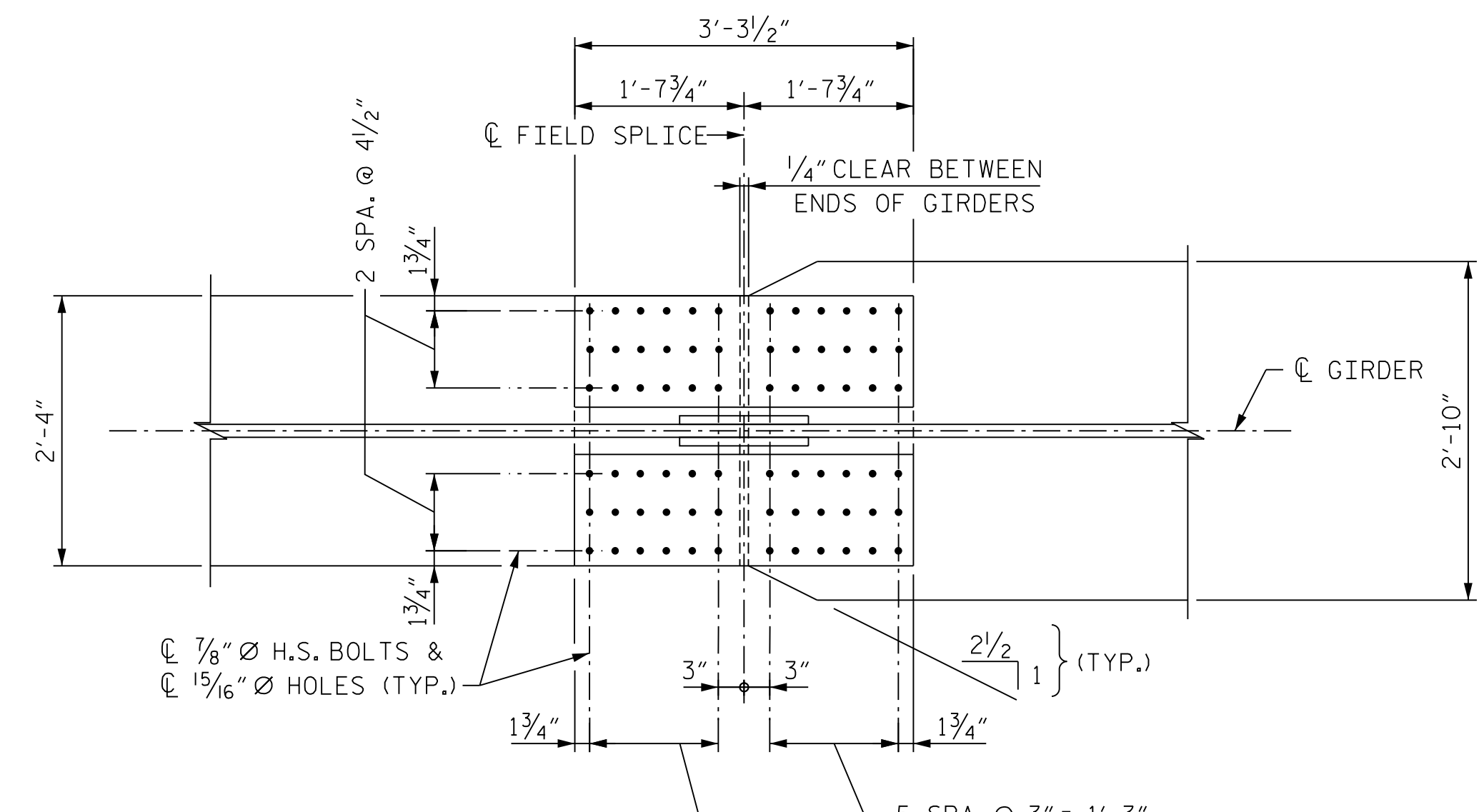
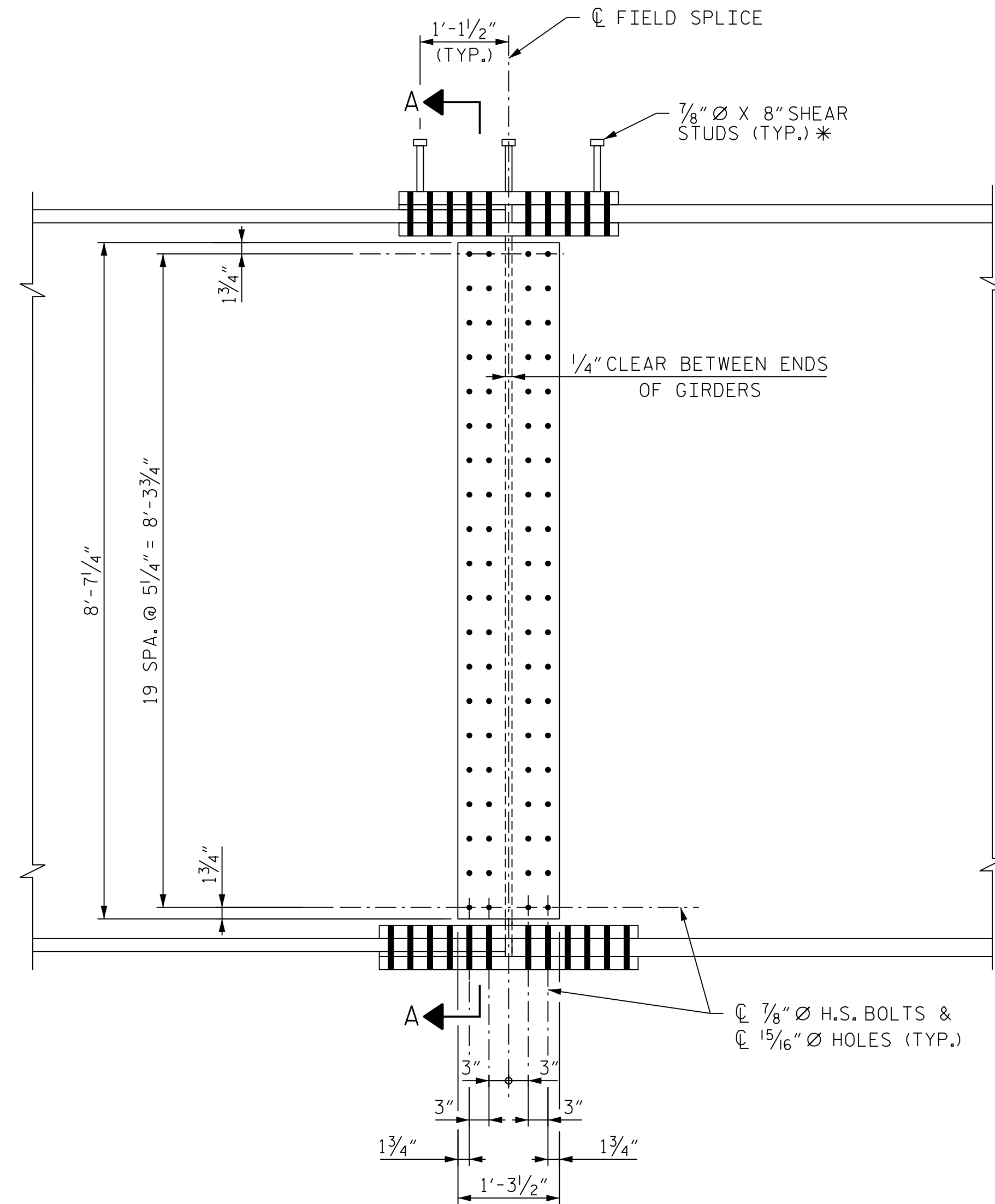


**PLAN (TOP OF TOP FLANGE)**  
(STUDS NOT SHOWN FOR CLARITY)

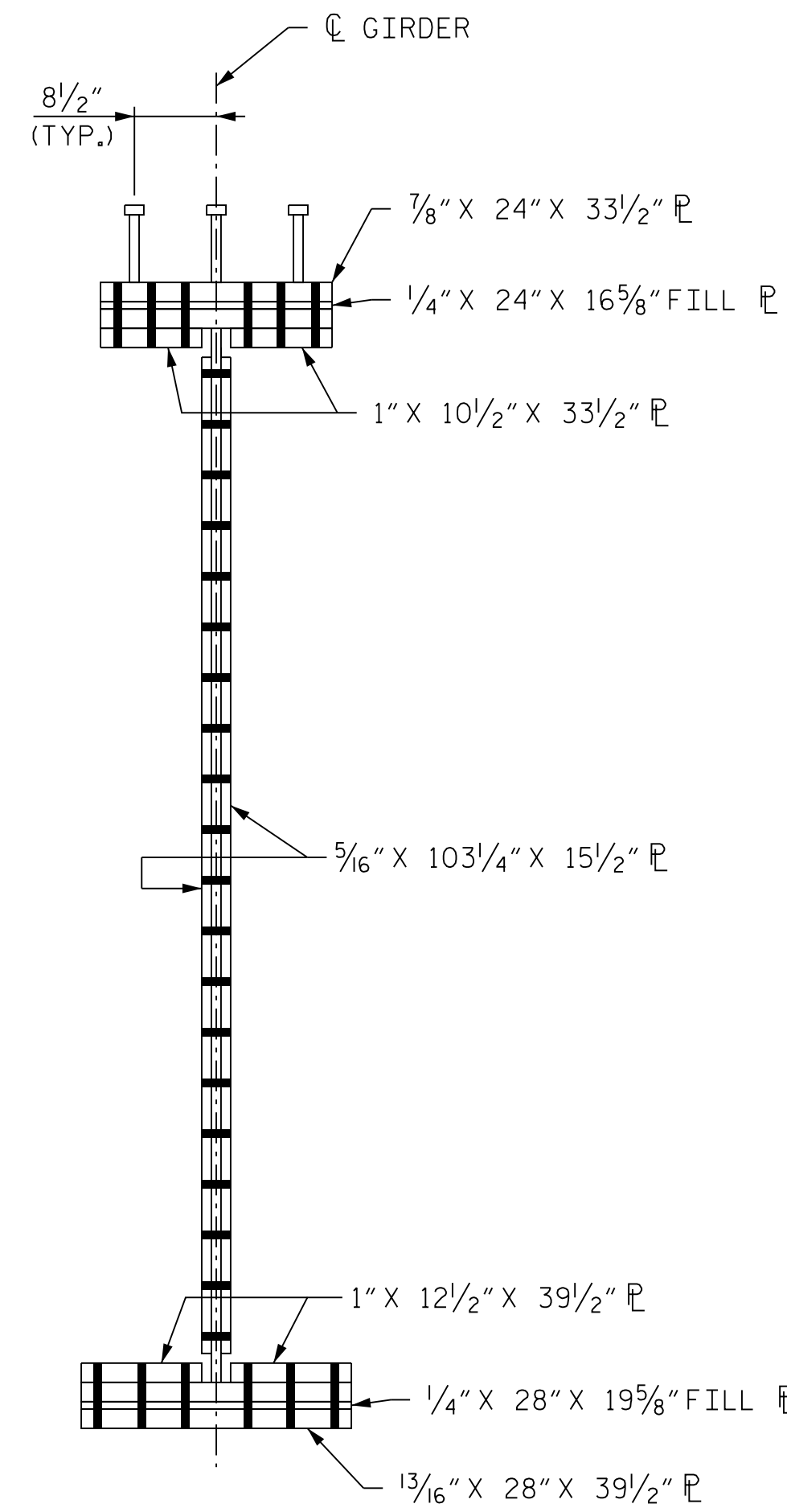
\* = SHEAR STUDS ARE TO BE SHOP WELDED ON TOP OF PLATE BEFORE FIELD ASSEMBLY



**PLAN (TOP OF BOTTOM FLANGE)**



**ELEVATION**



**SECTION A-A**

**NOTE**  
ORIENTATION OF PLAN AND ELEVATION VIEWS MAY VARY BASED ON FIELD SPLICE LOCATION

PROJECT NO. U-2579AB  
FORSYTH COUNTY  
STATION: 58+33.94 -Y15FLYCA-

SHEET 7 OF 14

STATE OF NORTH CAROLINA  
DEPARTMENT OF TRANSPORTATION  
RALEIGH

**SUPERSTRUCTURE  
BOLTED FIELD SPLICE  
DETAILS - TYPE "G"**

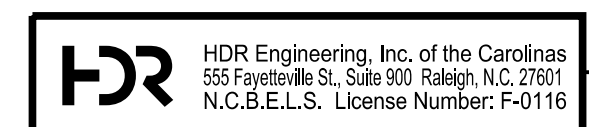


*Dominic A. Coletti* 10/15/2021

REVISIONS

NO.	BY:	DATE:	NO.	BY:	DATE:
1	--	--	3	--	--
2	--	--	4	--	--

SHEET NO. S06-046  
TOTAL SHEETS 129



**DOCUMENT NOT CONSIDERED FINAL  
UNLESS ALL SIGNATURES COMPLETED**

PLOT DRIVER: NCDOT\_pdf\_color\_eng-50.ppt  
USER: PPETERSO DATE: 10/14/2021  
PENTABLE: NCDOT\_STRUCTURES\_DEFAULT\_PEN.tbl  
TIME: 5:15:16 PM  
FILE: ... \SUPERS

DES BY: G. SCHMITZ DATE: 06/19 DWG BY: B. PETERSON DATE: 06/19  
DES CHK: D. OLDS DATE: 08/19 CHK BY: G. SCHMITZ DATE: 09/19