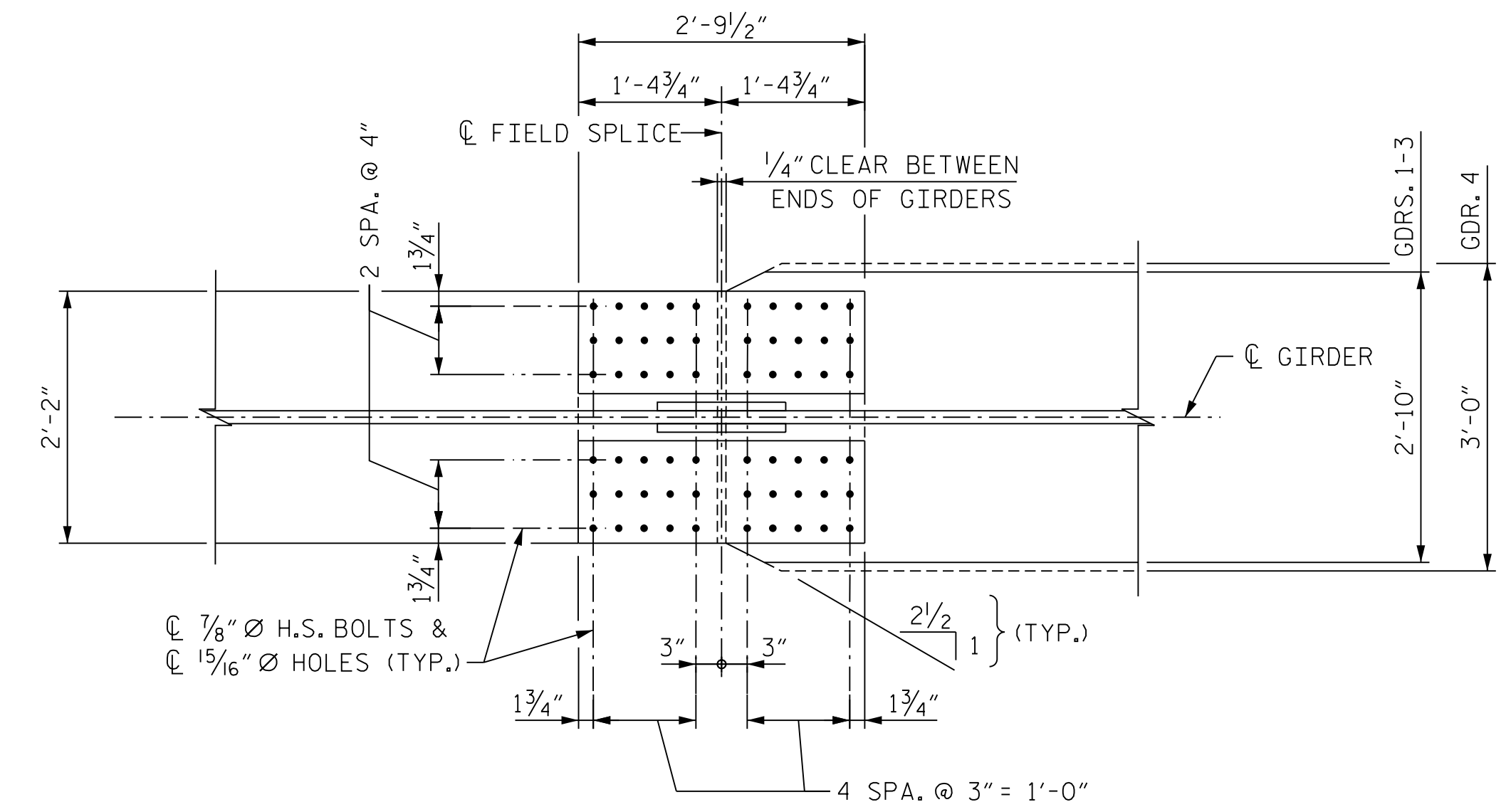
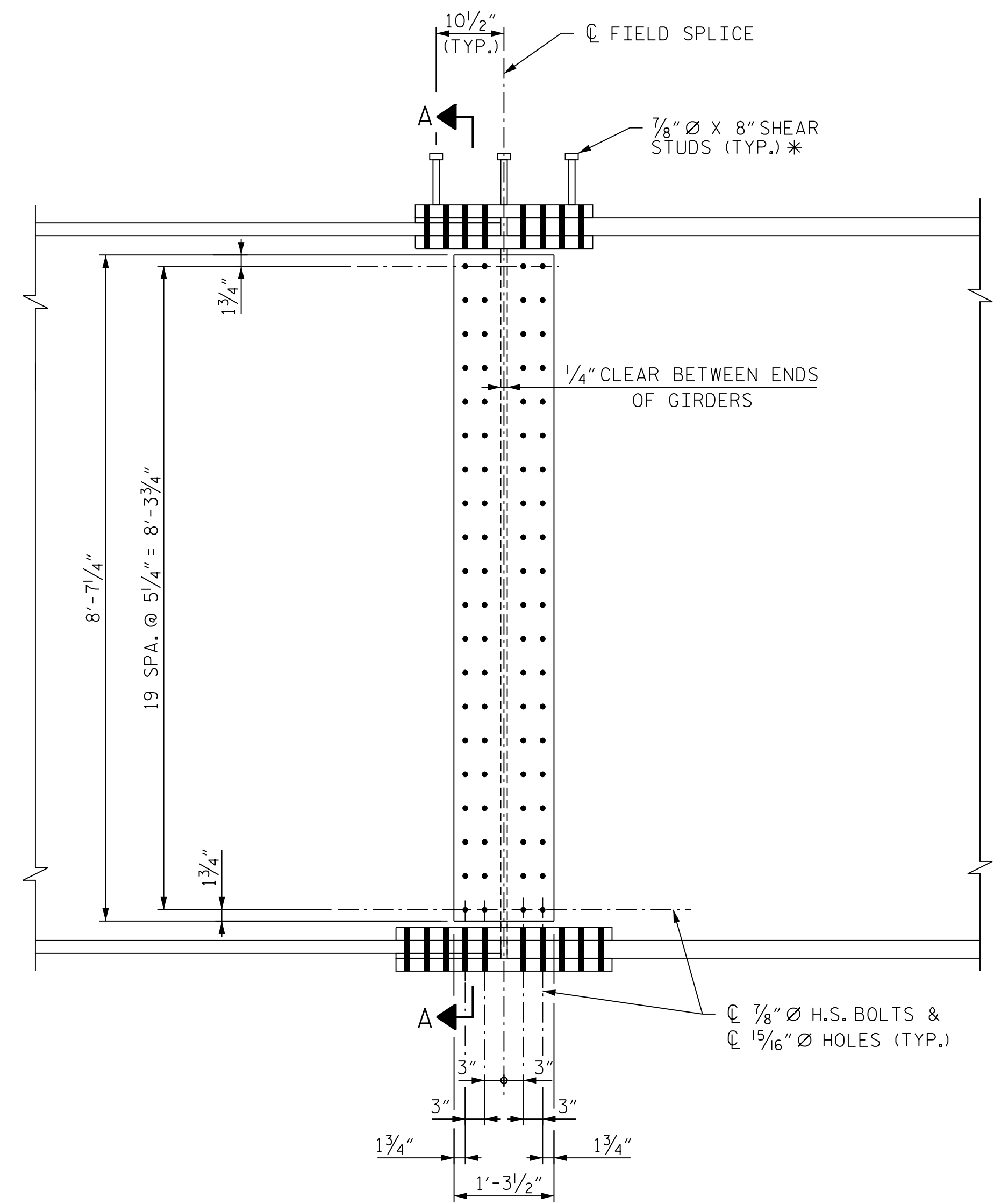


**PLAN (TOP OF TOP FLANGE)**  
(STUDS NOT SHOWN FOR CLARITY)

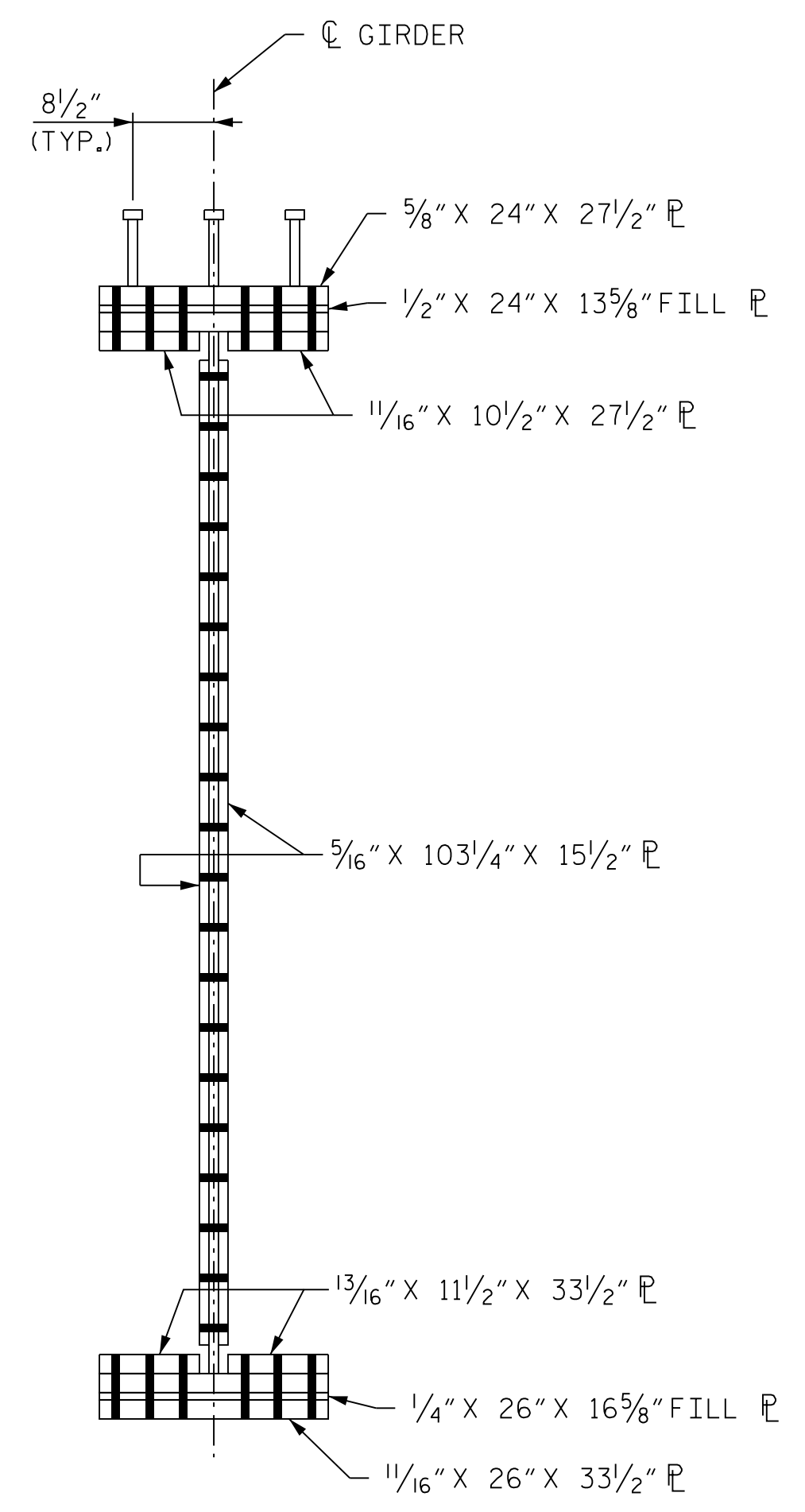
\* = SHEAR STUDS ARE TO BE SHOP WELDED ON TOP OF PLATE BEFORE FIELD ASSEMBLY



**PLAN (TOP OF BOTTOM FLANGE)**



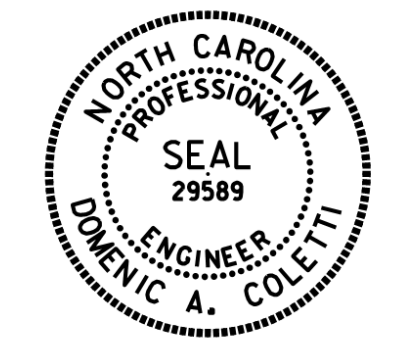
**ELEVATION**



**SECTION A-A**

**NOTE**  
ORIENTATION OF PLAN AND ELEVATION VIEWS MAY VARY BASED ON FIELD SPLICE LOCATION

PROJECT NO. U-2579AB  
FORSYTH COUNTY  
 STATION: 58+33.94 -Y15FLYCA-  
 SHEET 5 OF 14



*Dominic A. Coletti* 10/15/2021

STATE OF NORTH CAROLINA  
 DEPARTMENT OF TRANSPORTATION  
 RALEIGH

**SUPERSTRUCTURE  
 BOLTED FIELD SPLICE  
 DETAILS - TYPE "E"**

REVISIONS						SHEET NO. S06-044 TOTAL SHEETS 129
NO.	BY:	DATE:	NO.	BY:	DATE:	
1	--	--	3	--	--	
2	--	--	4	--	--	



**DOCUMENT NOT CONSIDERED FINAL  
 UNLESS ALL SIGNATURES COMPLETED**

PLOT DRIVER: NCDOT\_pdf\_color\_eng-50.ppt  
 USER: PPETERSO DATE: 10/14/2021  
 PENTABLE: NCDOT\_STRUCTURES\_DEFAULT\_PEN.tbl  
 TIME: 5:15:12 PM  
 FILE: ... \SUPERS

DES BY: <u>G. SCHMITZ</u>	DATE: <u>06/19</u>	DWG BY: <u>B. PETERSON</u>	DATE: <u>06/19</u>
DES CHK: <u>D. OLDS</u>	DATE: <u>08/19</u>	CHK BY: <u>G. SCHMITZ</u>	DATE: <u>09/19</u>