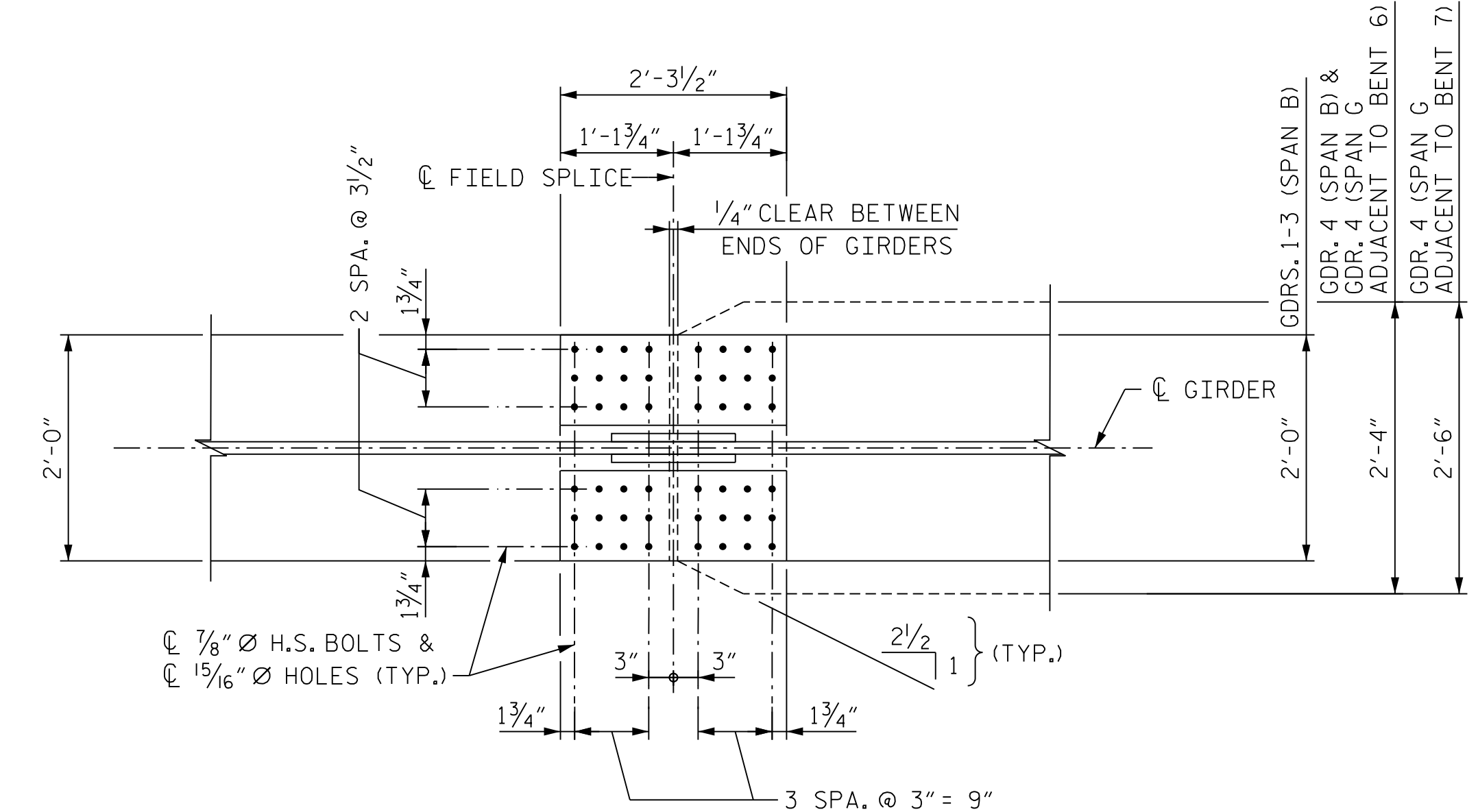
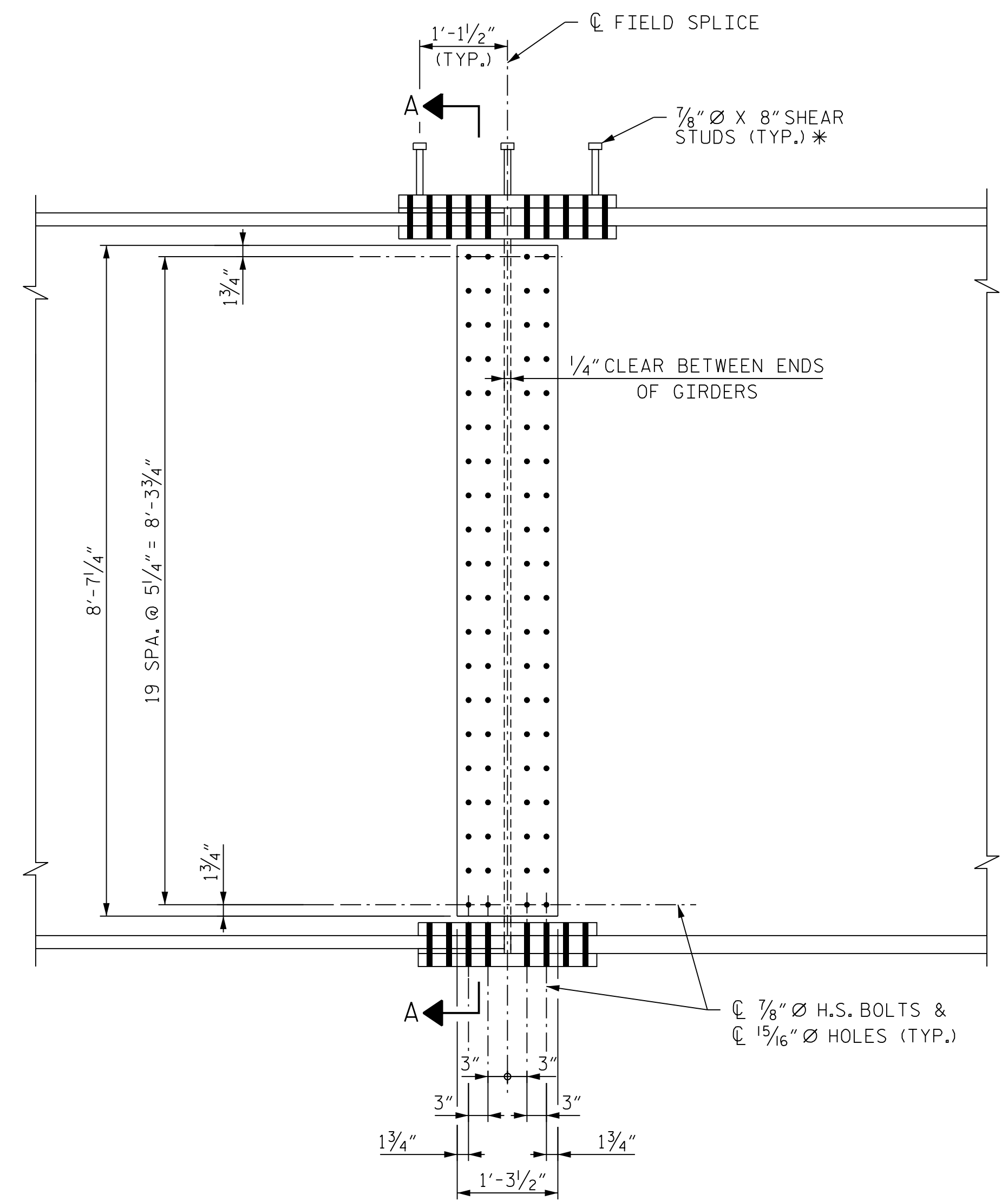


**PLAN (TOP OF TOP FLANGE)**  
(STUDS NOT SHOWN FOR CLARITY)

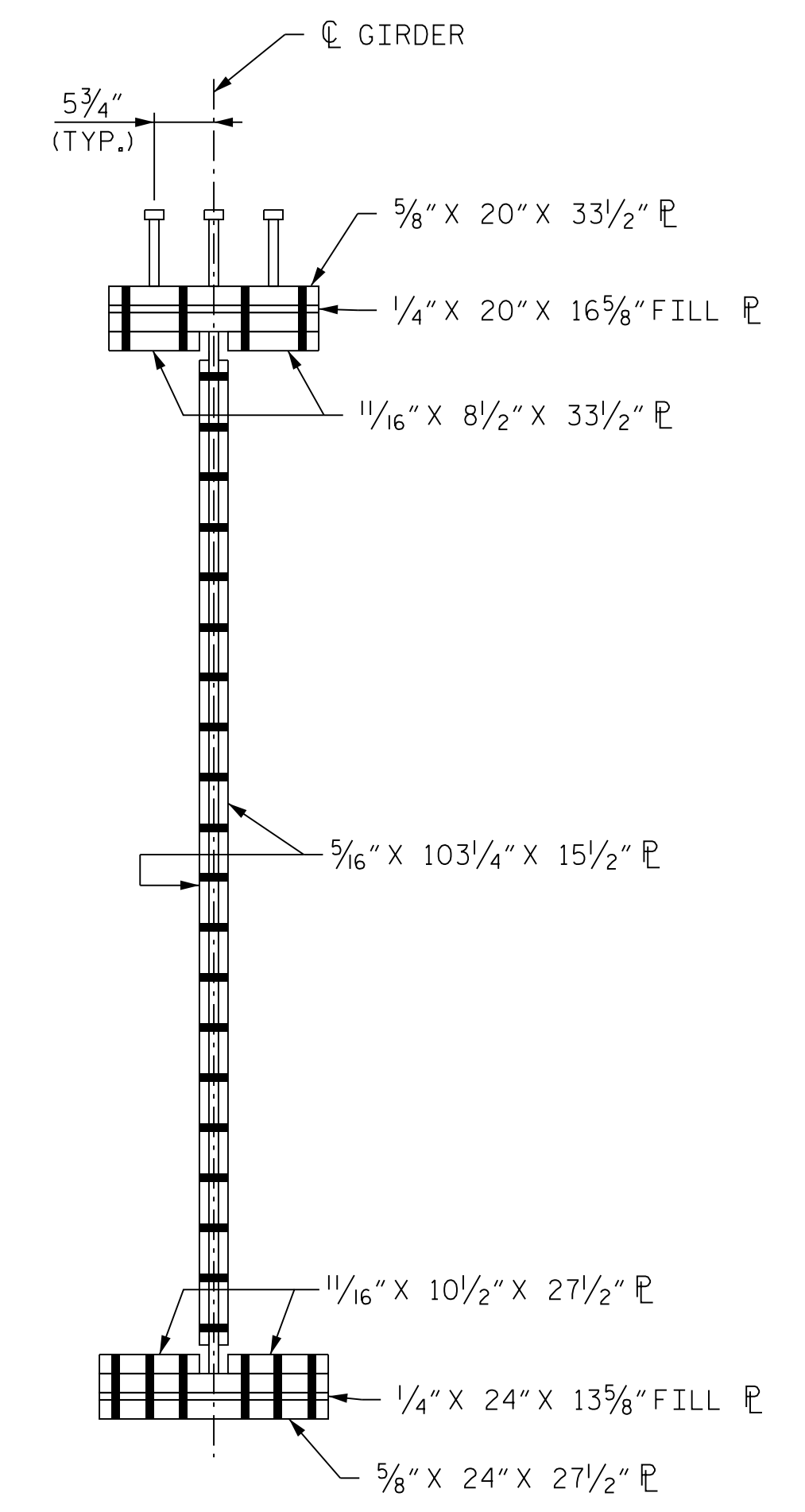
\* = SHEAR STUDS ARE TO BE SHOP WELDED ON TOP OF PLATE BEFORE FIELD ASSEMBLY



**PLAN (TOP OF BOTTOM FLANGE)**



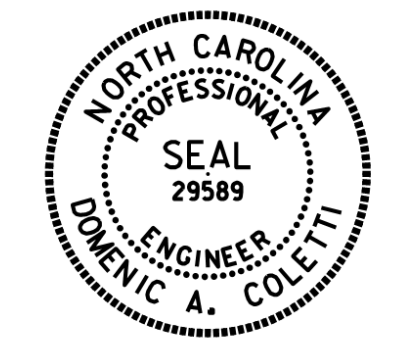
**ELEVATION**



**SECTION A-A**

**NOTE**  
ORIENTATION OF PLAN AND ELEVATION VIEWS MAY VARY BASED ON FIELD SPLICE LOCATION

PROJECT NO. U-2579AB  
FORSYTH COUNTY  
 STATION: 58+33.94 -Y15FLYCA-  
 SHEET 2 OF 14

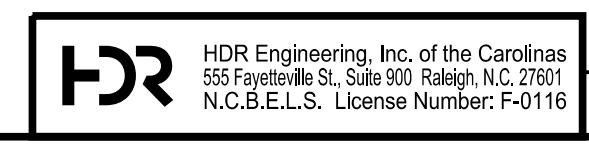


STATE OF NORTH CAROLINA  
 DEPARTMENT OF TRANSPORTATION  
 RALEIGH

**SUPERSTRUCTURE  
 BOLTED FIELD SPLICE  
 DETAILS - TYPE "B"**

PLOT DRIVER: NCDOT... PENTABLE: NCDOT... USER: PPETERSO... DATE: 10/14/2021... FILE: ... \ASUPERS

DES BY: G. SCHMITZ	DATE: 06/19	DWG BY: B. PETERSON	DATE: 06/19
DES CHK: D. OLDS	DATE: 08/19	CHK BY: G. SCHMITZ	DATE: 09/19



REVISIONS

NO.	BY:	DATE:	NO.	BY:	DATE:
1	--	--	3	--	--
2	--	--	4	--	--

DOCUMENT NOT CONSIDERED FINAL UNLESS ALL SIGNATURES COMPLETED

SHEET NO. 506-041
TOTAL SHEETS 129