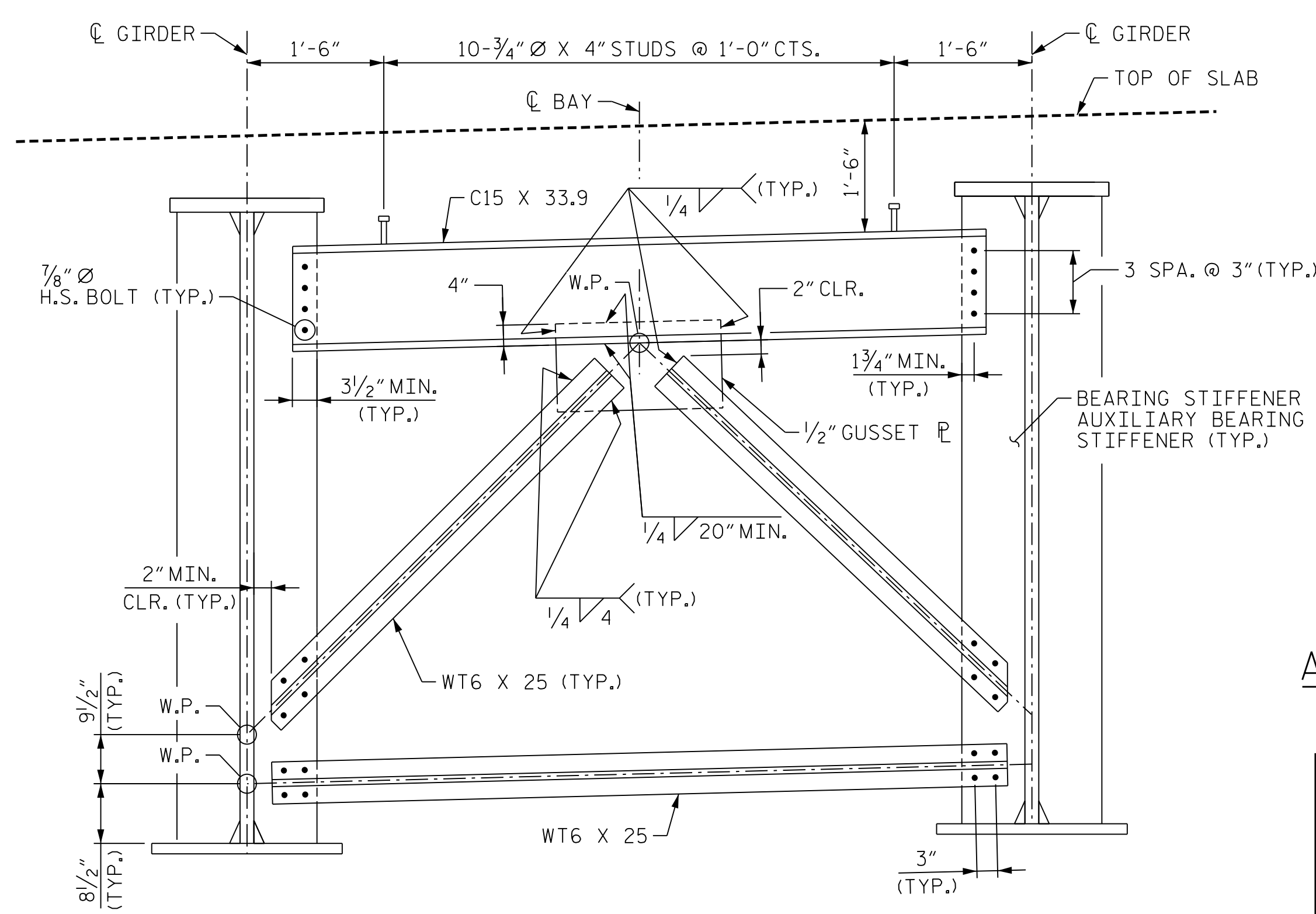


PLOT DRIVER: NCDOT...
 USER: PPETERSO...
 FILE: ...ASUPERS...
 DATE: 10/14/2021...
 TIME: 5:14:40 PM...
 PROJECT NO. U-2579AB...
 FORSYTH COUNTY...
 STATION: 58+33.94 -Y15FLYCA-...
 SHEET 1 OF 3...
 DEPARTMENT OF TRANSPORTATION...
 SUPERSTRUCTURE STRUCTURAL STEEL DETAILS...
 REVISIONS...
 NO. 1 BY: G.SCHMITZ DATE: 07/19...
 NO. 2 BY: D.OLDS DATE: 08/19...
 NO. 3 BY: B.PETERSON DATE: 07/19...
 NO. 4 BY: G.SCHMITZ DATE: 09/19...
 HDR Engineering, Inc. of the Carolinas...
 DOCUMENT NOT CONSIDERED FINAL...
 NORTH CAROLINA PROFESSIONAL SEAL 29589...
 DOMENIC A. COLETTI...
 10/15/2021...



END DIAPHRAGMS (D1)

BEARING STIFFENER & AUXILIARY BEARING STIFFENER

NOTE: BEARING STIFFENER MAY REQUIRE COPING IF WIDER THAN BOT. FLANGE

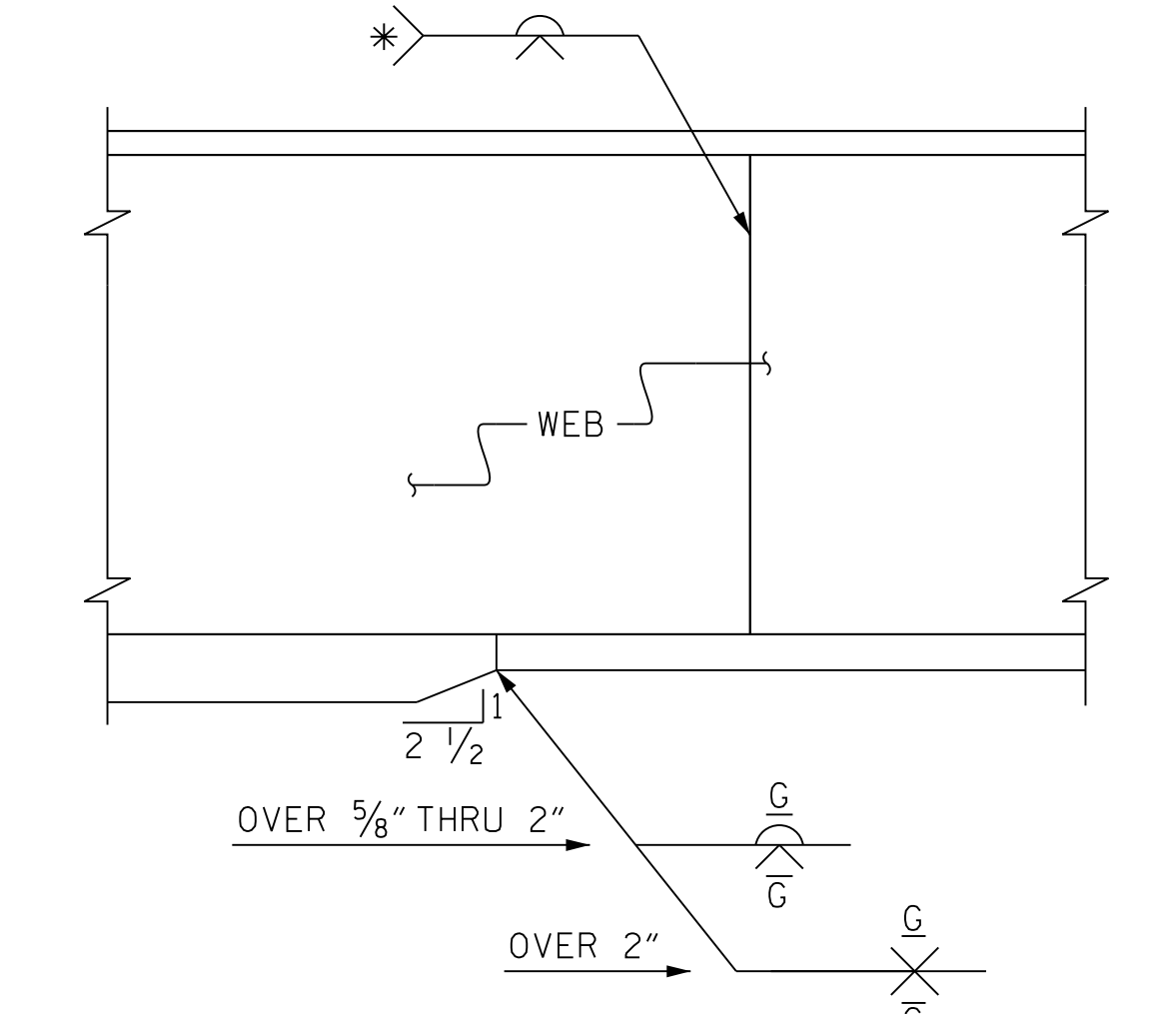
SIZE	LOCATIONS *
PL 1/8" x 11"	END BENT 1, BENTS 1, 2, 6 & 7
PL 1/2" x 16 1/2"	BENTS 3 & 4
PL 7/8" x 10"	BENT 5 BK, BENT 5 AH, END BENT 2

* NOTE: BK = BACK STATION
AH = AHEAD STATION

INTERMEDIATE STIFFENER

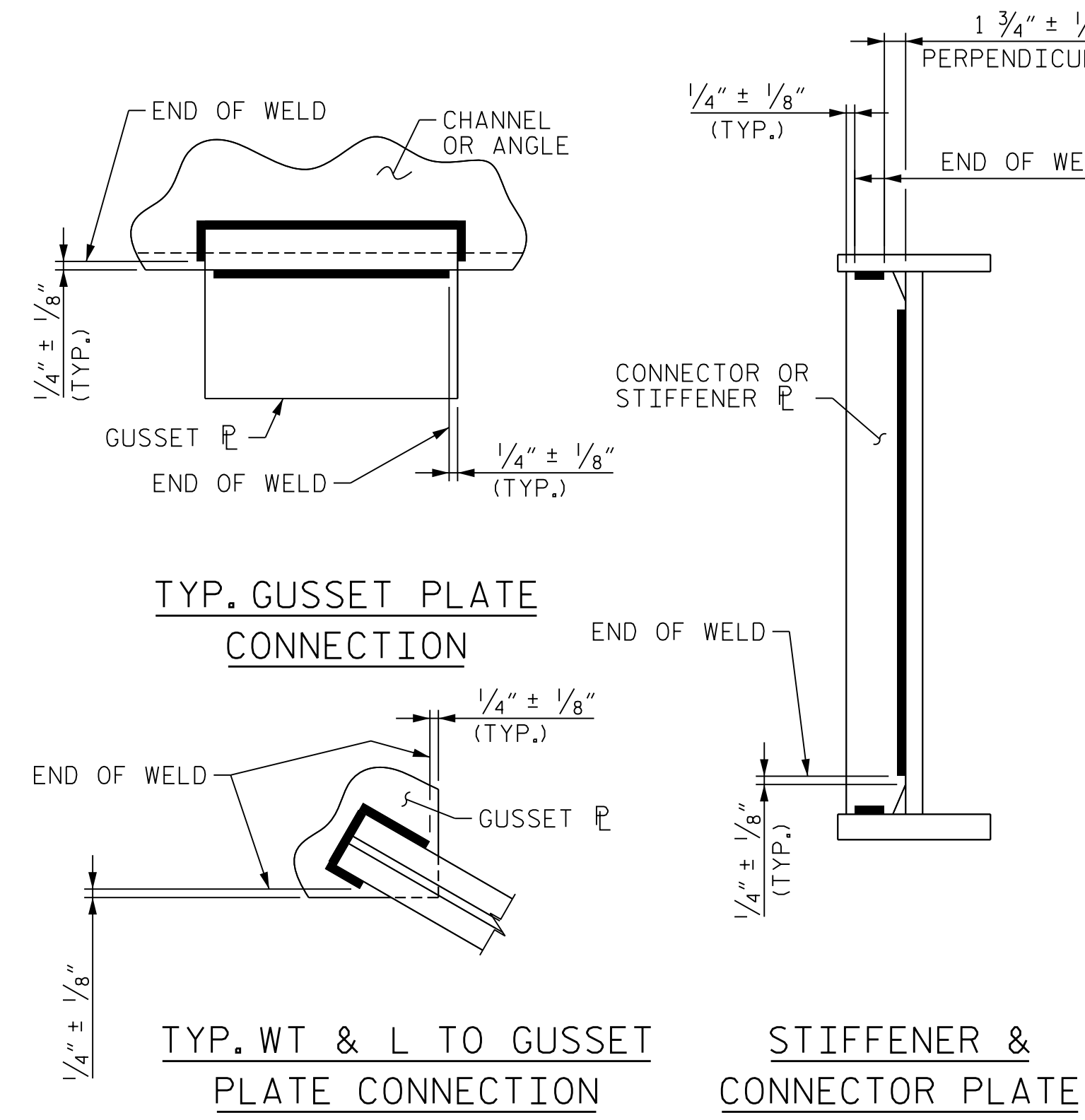
DIAPHRAGM CONNECTOR PLATES

MAXIMUM FLANGE PLATE WIDTH	MIN. SIZE
≤ 32"	5/8" x 8 1/2"
34", 36" OR 40"	3/4" x 10"

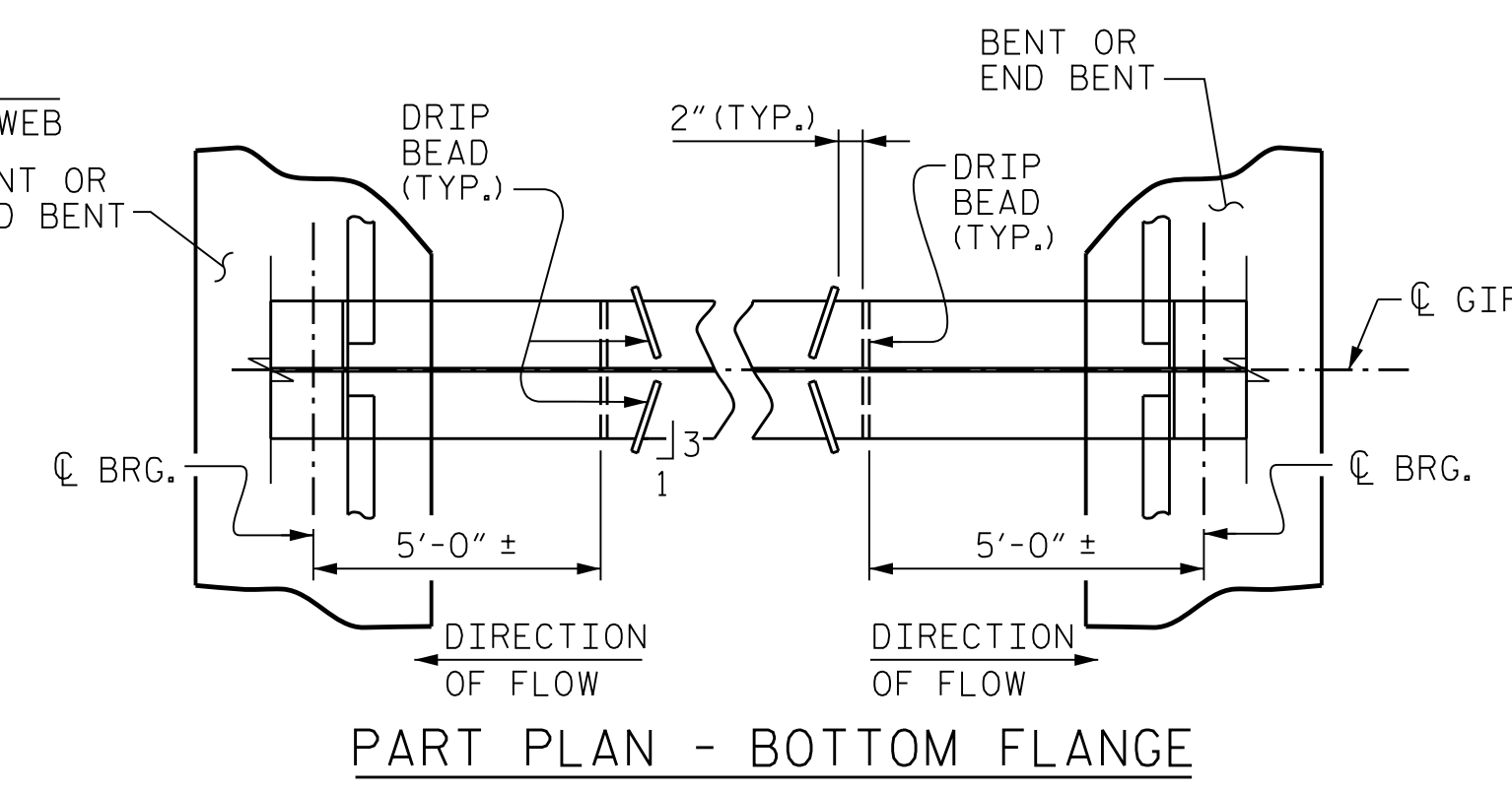


TYPICAL FLANGE AND WEB BUTT JOINT
SHOP SPLICE DETAILS

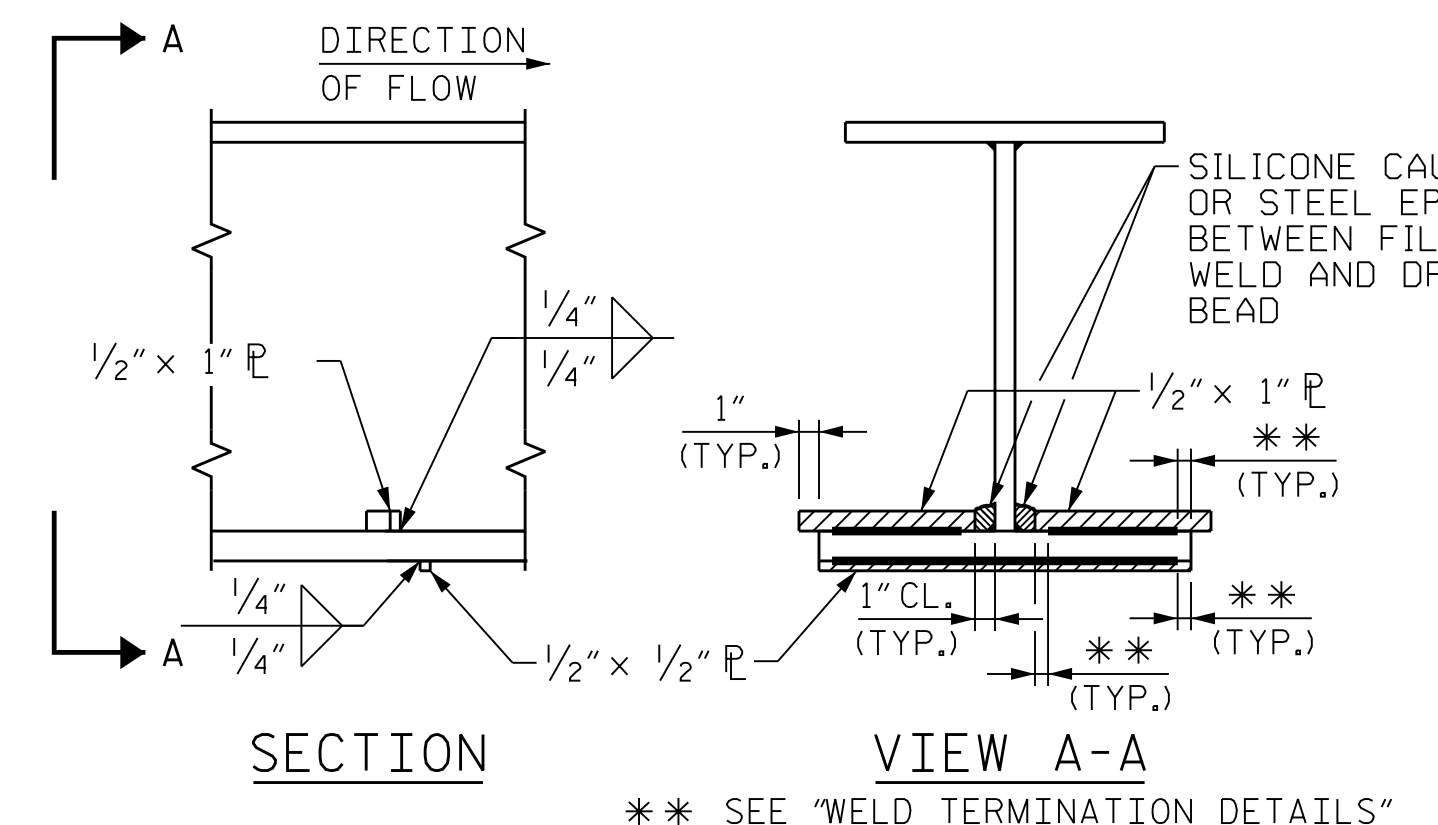
* GRIND SMOOTH AND FLUSH ON OUTER FACE OF EXTERIOR BEAMS/ GIRDERS.



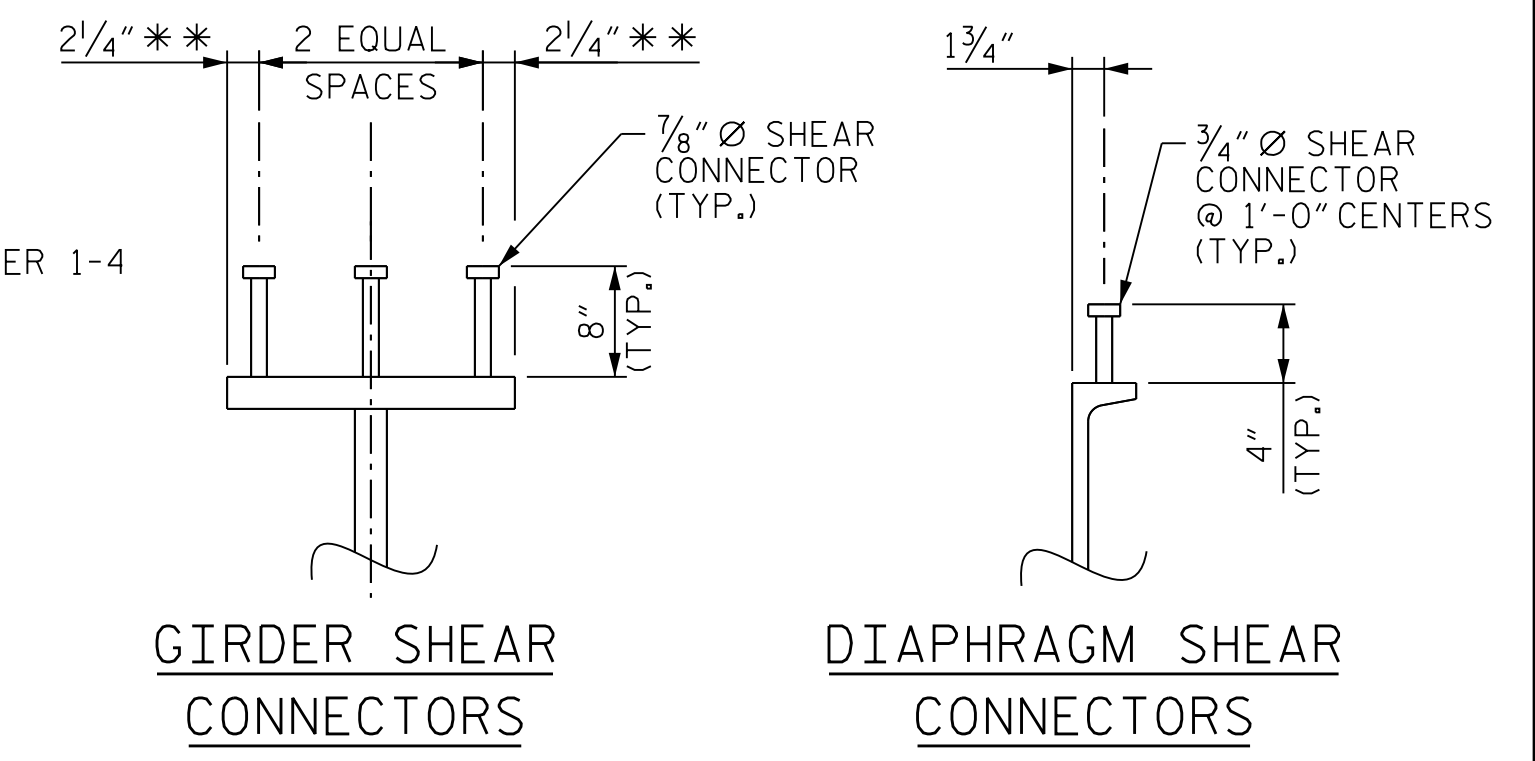
WELD TERMINATION DETAILS



PART PLAN - BOTTOM FLANGE



SECTION
VIEW A-A
** SEE "WELD TERMINATION DETAILS"



GIRDER SHEAR CONNECTORS
DIAPHRAGM SHEAR CONNECTORS

SHEAR CONNECTOR DETAILS

** FOR SPACING OF SHEAR CONNECTORS ON TOP PLATE OF FIELD SPLICES, SEE "SUPERSTRUCTURE BOLTED FIELD SPLICE DETAILS" SHEETS.

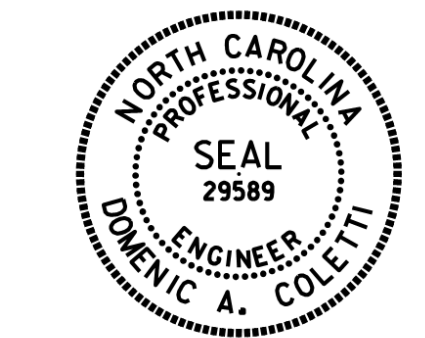
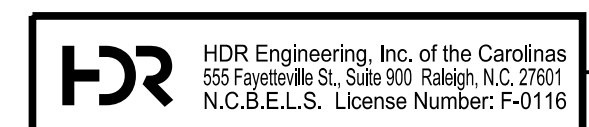
PROJECT NO. U-2579AB
FORSYTH COUNTY
STATION: 58+33.94 -Y15FLYCA-

SHEET 1 OF 3

STATE OF NORTH CAROLINA
DEPARTMENT OF TRANSPORTATION
RALEIGH

SUPERSTRUCTURE
STRUCTURAL STEEL
DETAILS

REVISIONS						SHEET NO. S06-037 TOTAL SHEETS 129
NO.	BY:	DATE:	NO.	BY:	DATE:	
1	--	--	3	--	--	
2	--	--	4	--	--	



Domenic A. Coletti 10/15/2021

DOCUMENT NOT CONSIDERED FINAL UNLESS ALL SIGNATURES COMPLETED