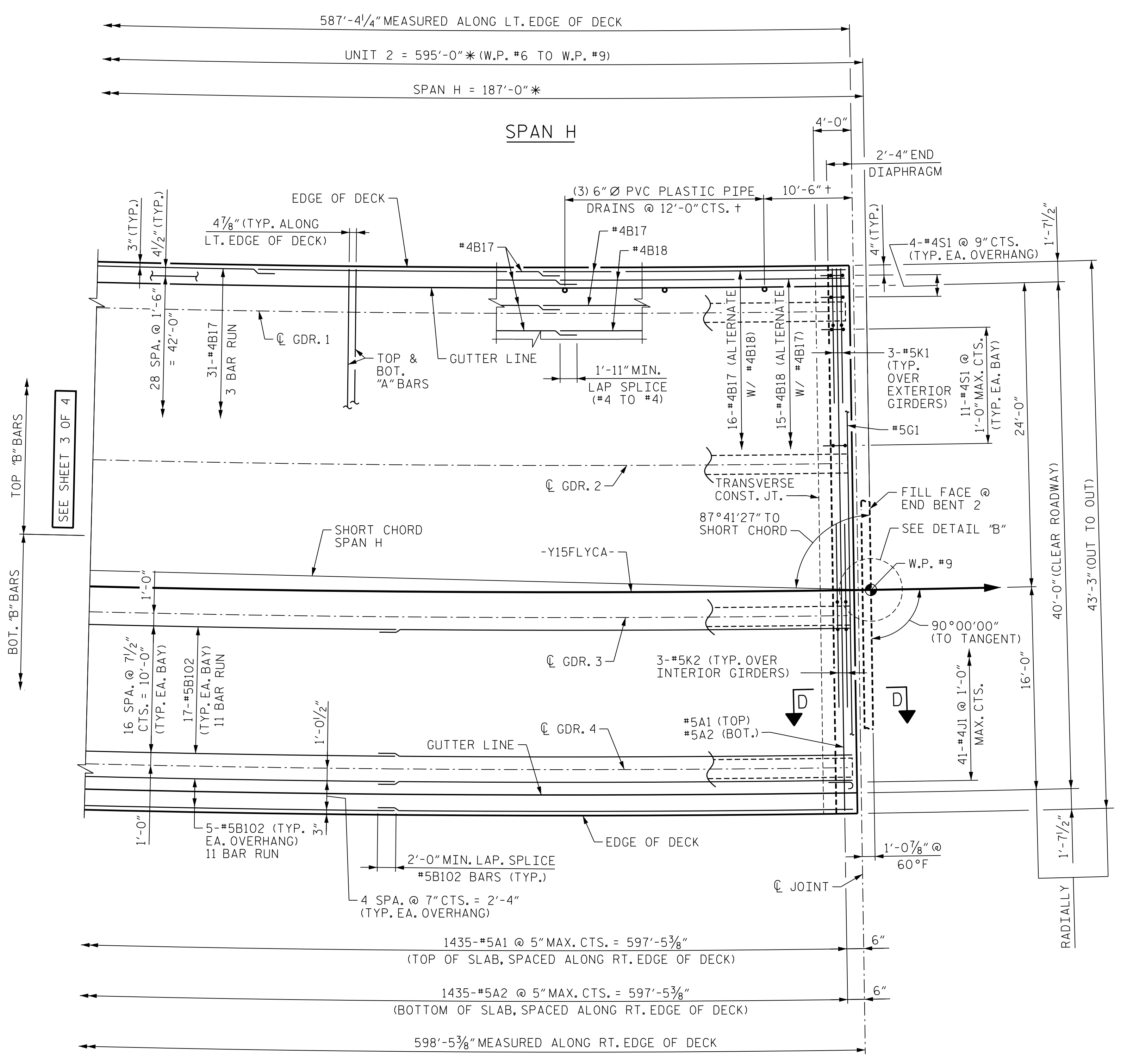


PLOT DRIVER: NCDOT_PDF_PEN.FBI
 USER: PPEIERSO
 DATE: 10/14/2021
 TIME: 5:13:00 PM
 FILE: ... \SUPERS

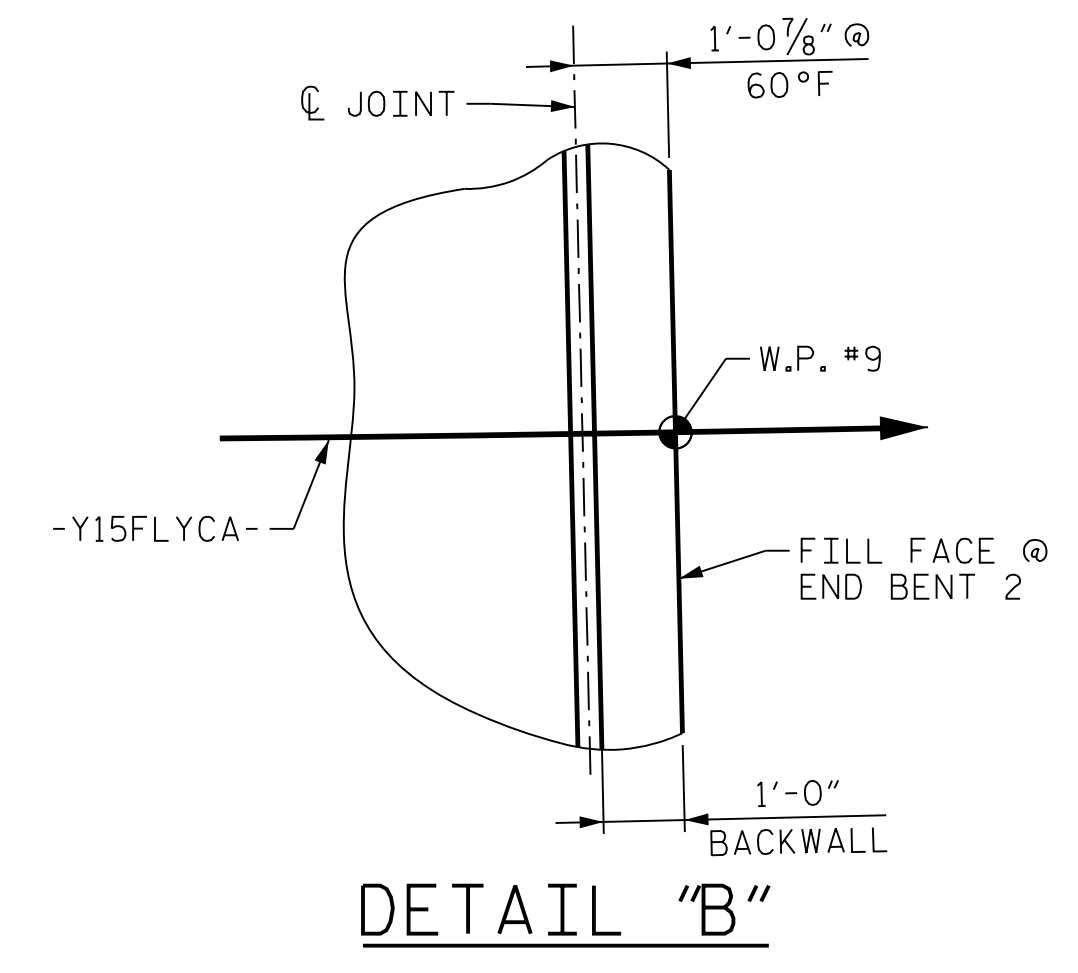


PARTIAL PLAN OF SPANS - UNIT 2

* = DIMENSIONS MEASURED ALONG -Y15FLYCA-
 † = DIMENSIONS MEASURED ALONG LEFT EDGE OF DECK

NOTES

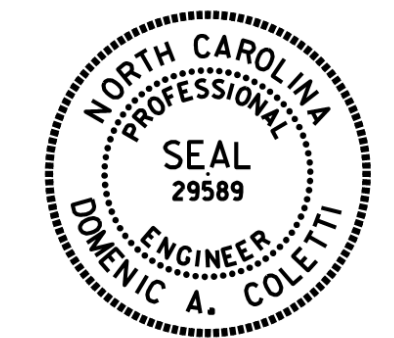
FOR SECTION D-D, SEE "SUPERSTRUCTURE TYPICAL SECTION" SHEET 1 OF 2.
 SEE "SUPERSTRUCTURE PLAN OF SPANS ARC OFFSETS" SHEETS FOR OUTSIDE EDGE OF DECK CURVE OFFSETS.
 FOR REINFORCING STEEL IN CONCRETE BARRIER RAIL, SEE "SUPERSTRUCTURE CONCRETE BARRIER RAIL" SHEETS.
 #5 "A" BARS ARE TO BE PLACED RADIALLY SPACED AT 5" MAX. CTS. ALONG RIGHT OUTSIDE EDGE OF SUPERSTRUCTURE.
 FOR DECK POURING SEQUENCE, SEE "SUPERSTRUCTURE BILL OF MATERIAL" SHEET.
 FOR TRANSVERSE CONST. JT. DETAIL, SEE SHEET 1 OF 4.



PROJECT NO. U-2579AB
 FORSYTH COUNTY
 STATION: 58+33.94 -Y15FLYCA-
 SHEET 4 OF 4

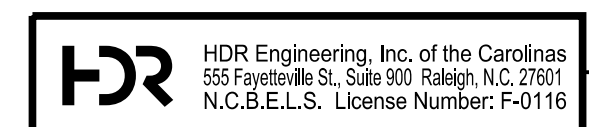
STATE OF NORTH CAROLINA
 DEPARTMENT OF TRANSPORTATION
 RALEIGH

SUPERSTRUCTURE PLAN OF SPANS UNIT 2



Dominic A. Coletti 10/15/2021

DES BY: M. NEIHEISEL	DATE: 06/19	DWG BY: B. PETERSON	DATE: 06/19
DES CHK: G. SCHMITZ	DATE: 06/19	CHK BY: M. NEIHEISEL	DATE: 01/20



DOCUMENT NOT CONSIDERED FINAL UNLESS ALL SIGNATURES COMPLETED

REVISIONS					
NO.	BY:	DATE:	NO.	BY:	DATE:
1	--	--	3	--	--
2	--	--	4	--	--

SHEET NO. 506-027
TOTAL SHEETS 129