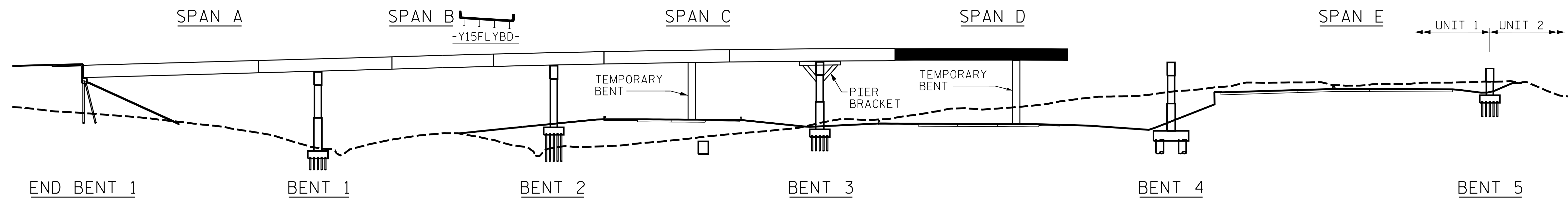
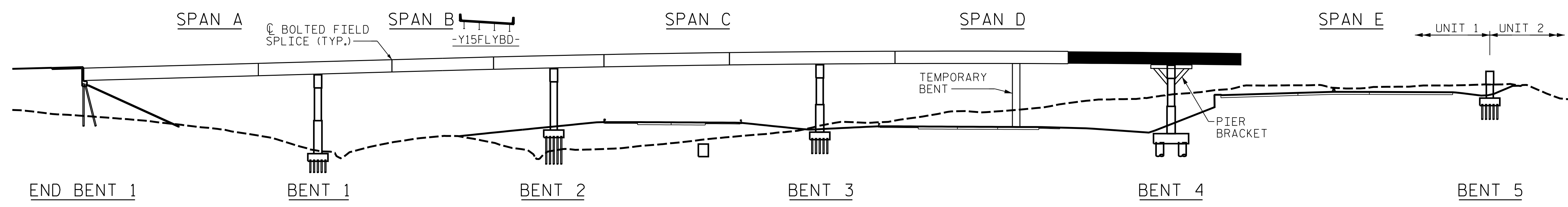


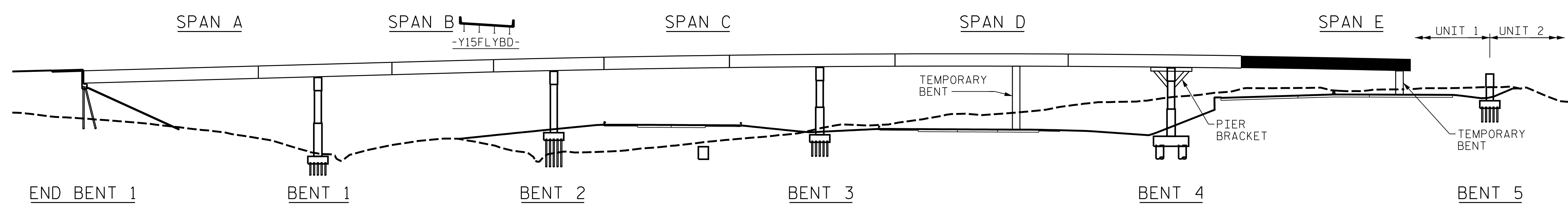
UNIT 1, STEP 6 GIRDER ERECTION



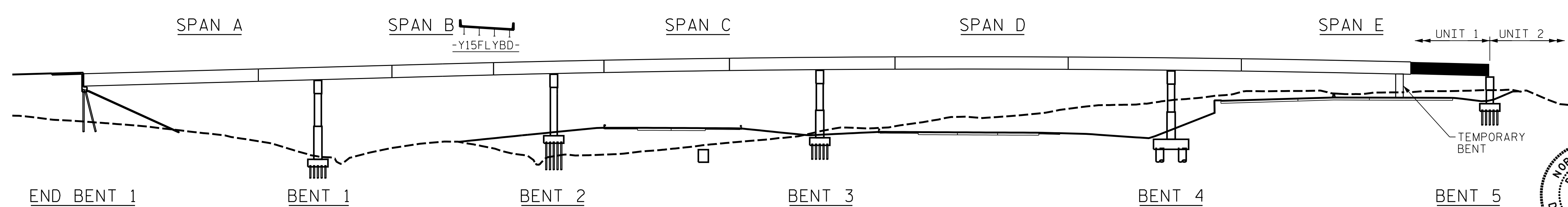
UNIT 1, STEP 7 GIRDER ERECTION



UNIT 1, STEP 8 GIRDER ERECTION



UNIT 1, STEP 9 GIRDER ERECTION

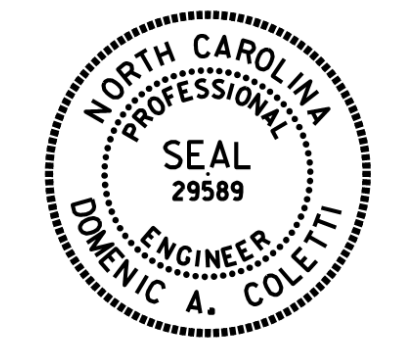


UNIT 1, STEP 10 GIRDER ERECTION

NOTES
 SEE "GIRDER ERECTION DETAILS UNIT 1" SHEET 1 OF 2 FOR NOTES.

PLOT DRIVER: NCDOT_PDF_PDF_COLOR_ENG_50.ppt
 USER: PETERSON DATE: 10/14/2021
 FILE: ...GIRDER

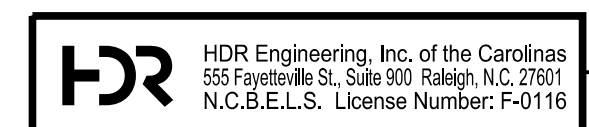
PROJECT NO. U-2579AB
 FORSYTH COUNTY
 STATION: 58+33.94 -Y15FLYCA-
 SHEET 2 OF 2



STATE OF NORTH CAROLINA
 DEPARTMENT OF TRANSPORTATION
 RALEIGH

**GIRDER ERECTION
 DETAILS
 UNIT 1**

DES BY: S. NIFONG	DATE: 01/19	DWG BY: B. PETERSON	DATE: 01/19
DES CHK: D. OLDS	DATE: 11/19	CHK BY: D. OLDS	DATE: 11/19



Domini A. Coletti 10/15/2021

DOCUMENT NOT CONSIDERED FINAL
 UNLESS ALL SIGNATURES COMPLETED

REVISIONS					
NO.	BY:	DATE:	NO.	BY:	DATE:
1	--	--	3	--	--
2	--	--	4	--	--

SHEET NO. 506-014
 TOTAL SHEETS 129