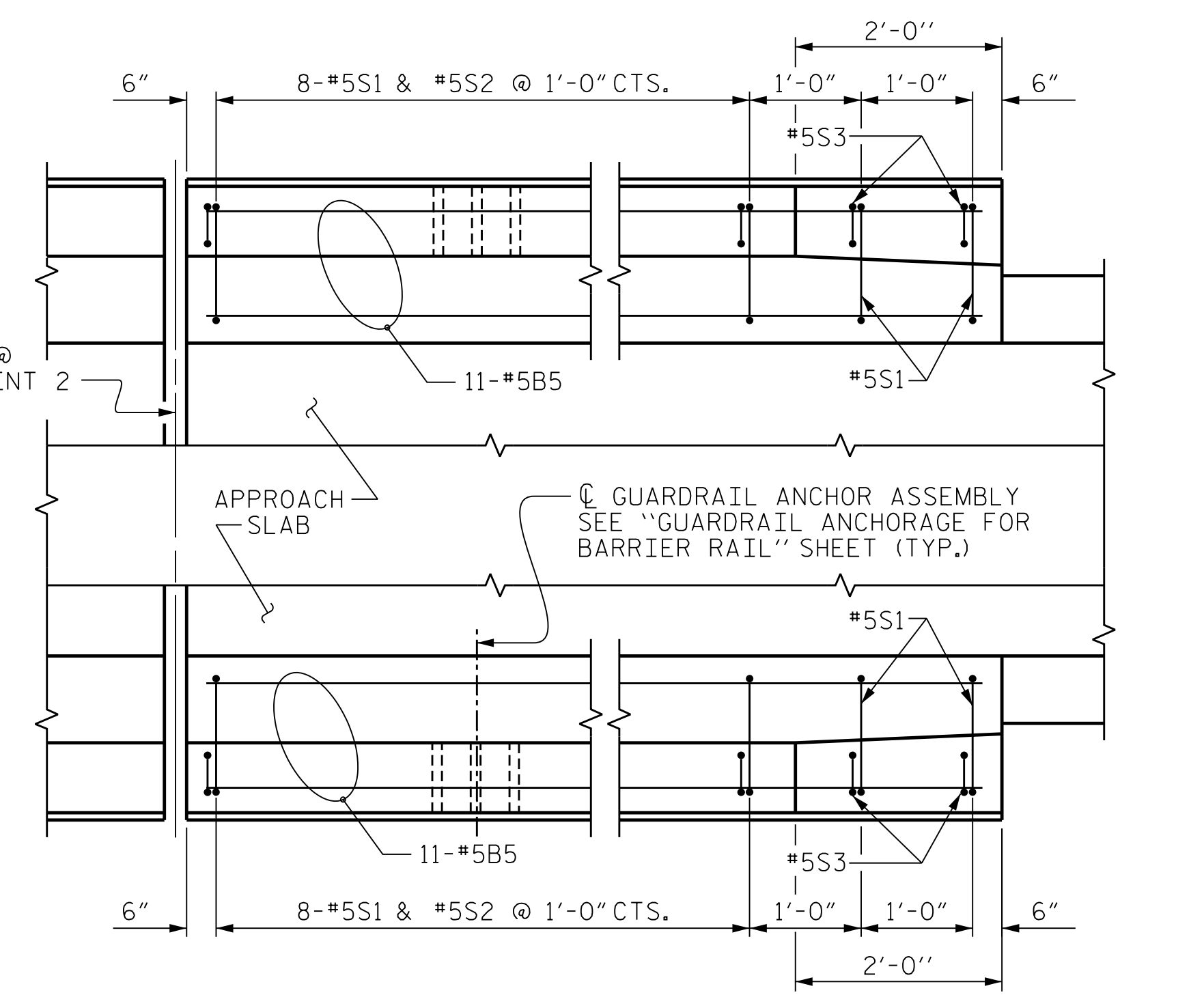


END BENT 1



END BENT 2

PLAN OF BARRIER RAIL

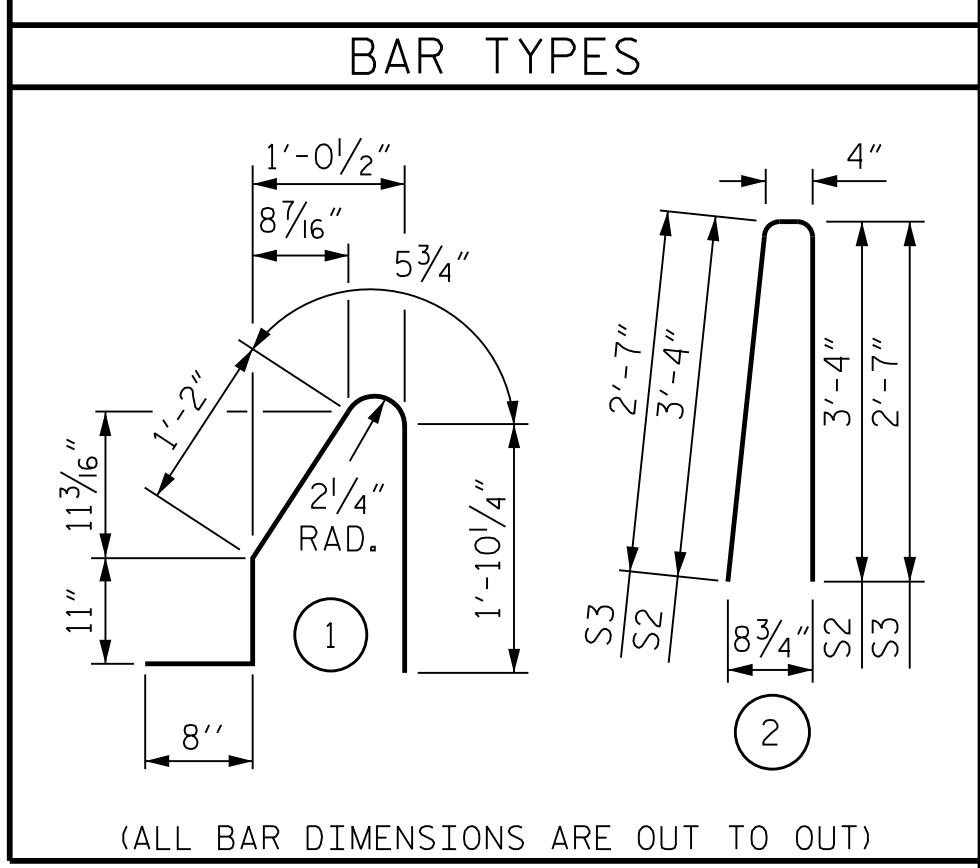
NOTES

THE COST OF THE BARRIER RAIL ON THE APPROACH SLAB SHALL BE INCLUDED IN THE LINEAR FOOT CONTRACT PRICE BID FOR "CONCRETE BARRIER RAIL".

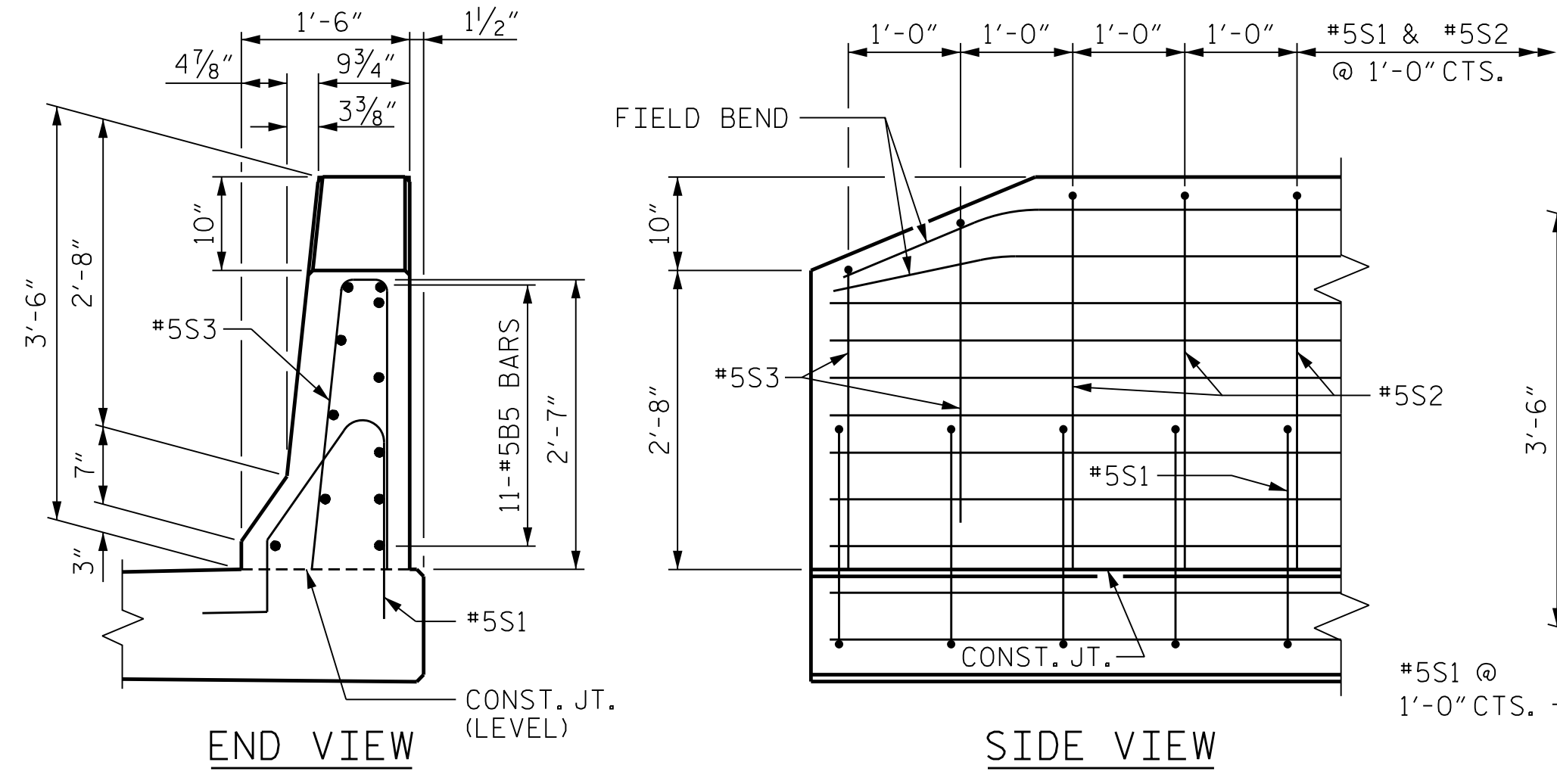
THE BARRIER RAIL ON EACH APPROACH SLAB SHALL NOT BE CAST UNTIL ALL APPROACH SLAB CONCRETE HAS BEEN CAST AND HAS REACHED A MINIMUM COMPRESSIVE STRENGTH OF 3,000 PSI.

ALL REINFORCING STEEL IN BARRIER RAILS SHALL BE EPOXY COATED.

BILL OF MATERIAL					
BARRIER RAIL ONLY					
BAR	NO.	SIZE	TYPE	LENGTH	WEIGHT
*B5	44	#5	STR.	9'-8"	444
*S1	40	#5	1	5'-1"	213
*S2	32	#5	2	7'-0"	234
*S3	8	#5	2	5'-6"	46
*EPOXY COATED REINFORCING STEEL					937 LBS.
CLASS AA CONCRETE					5.3 C. Y.
CONCRETE BARRIER RAIL					40.0 L. F.



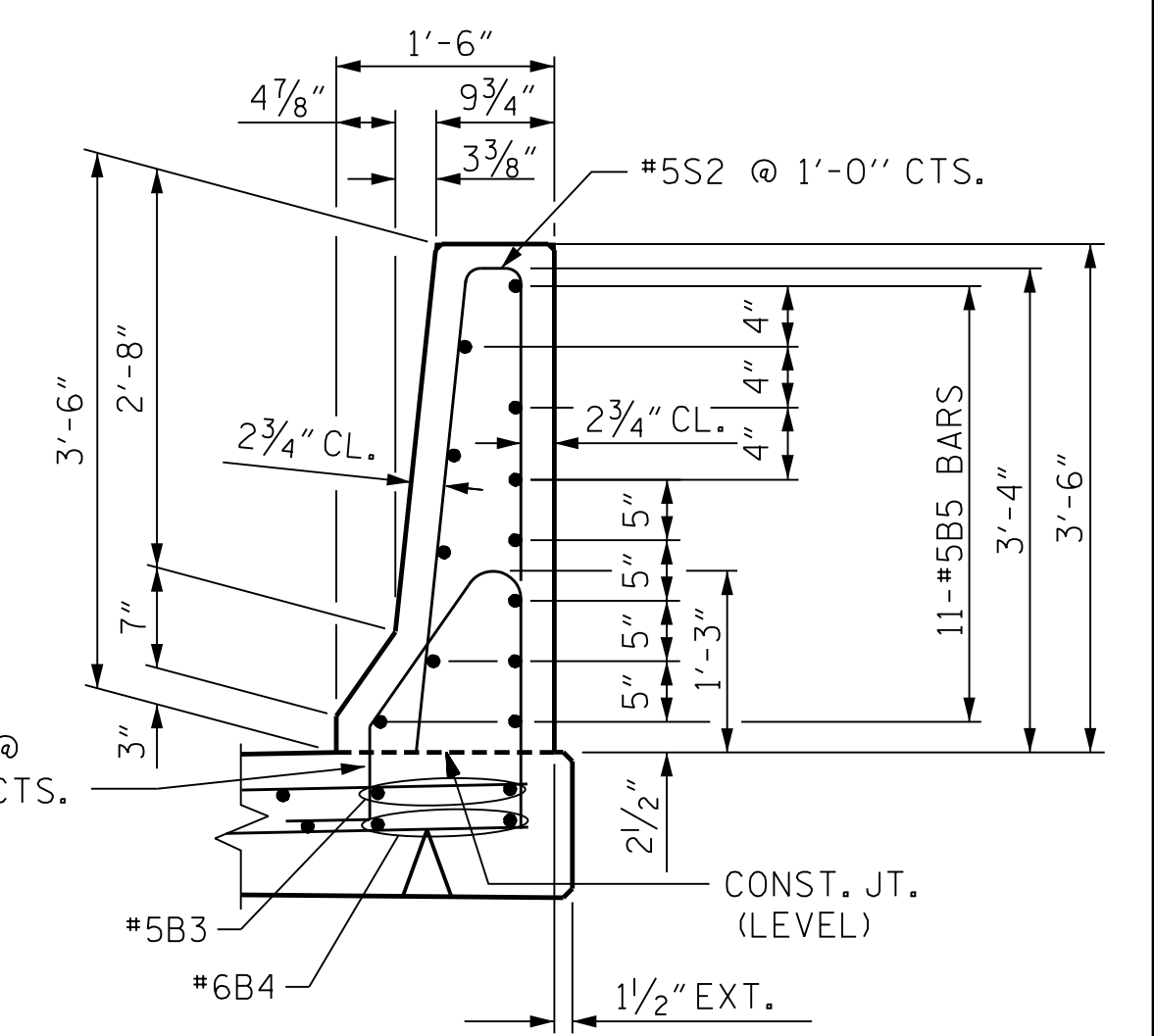
(ALL BAR DIMENSIONS ARE OUT TO OUT)



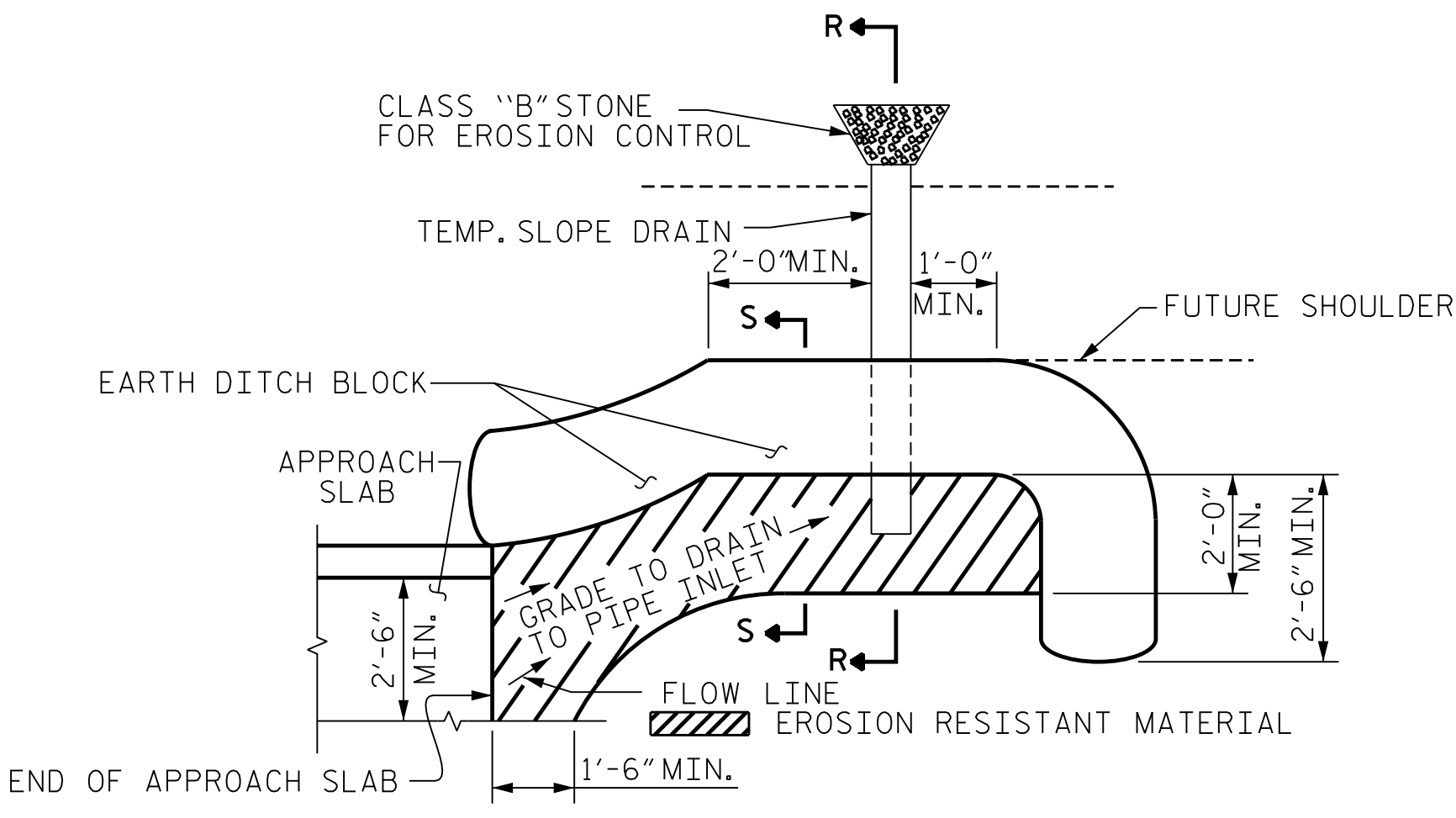
END VIEW

SIDE VIEW

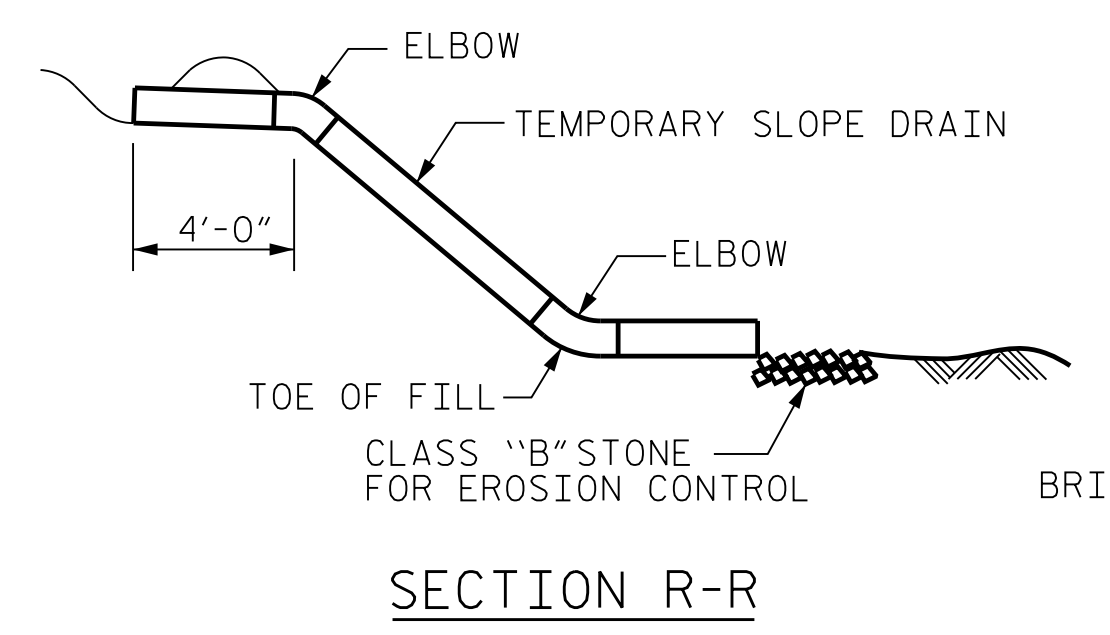
END OF RAIL DETAILS



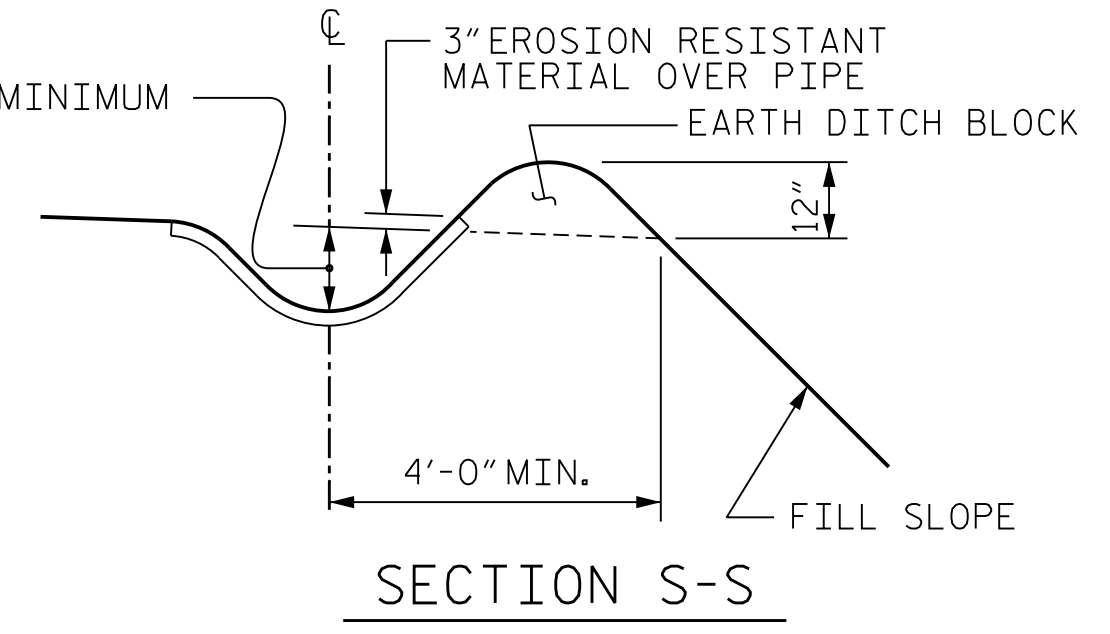
SECTION THRU RAIL



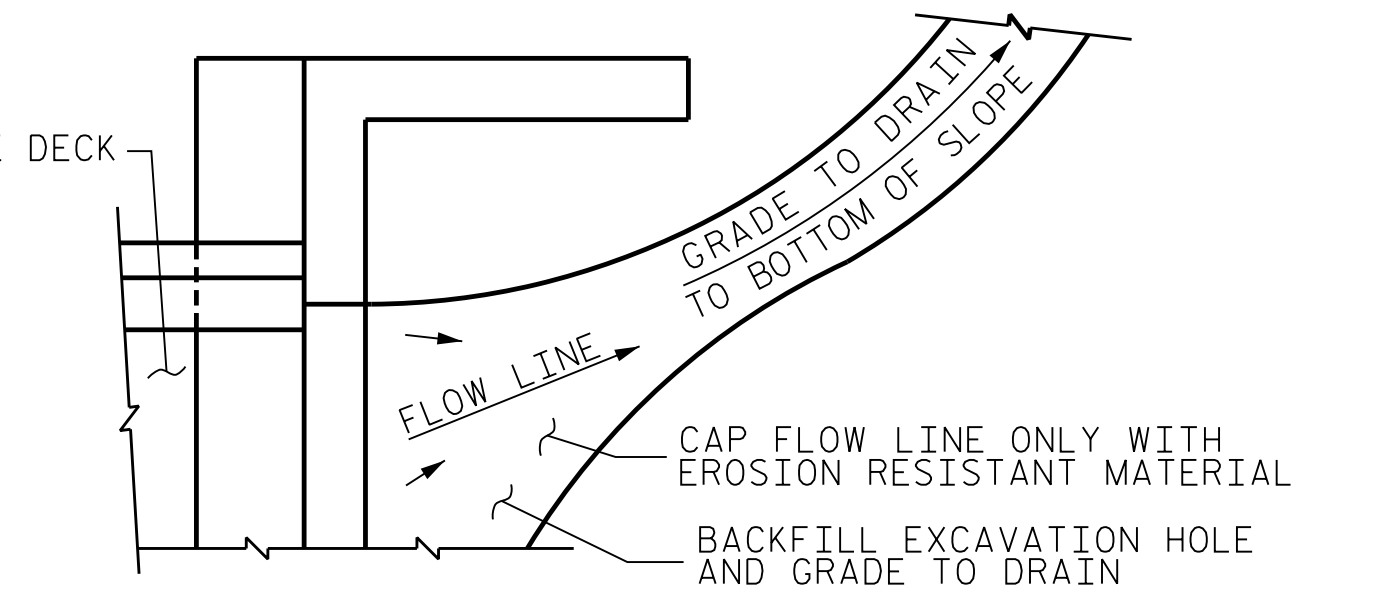
PLAN VIEW



SECTION R-R



SECTION S-S



TEMPORARY DRAINAGE DETAIL

TEMPORARY BERM AND SLOPE DRAIN DETAILS
(TO BE USED WHEN SHOULDER BERM GUTTER IS REQUIRED)

PROJECT NO. U-2579AB
 FORSYTH COUNTY
 STATION: 47+63.62 -Y15FLYBD-
 SHEET 2 OF 2

STATE OF NORTH CAROLINA
 DEPARTMENT OF TRANSPORTATION
 RALEIGH

BRIDGE APPROACH SLAB
 DETAILS

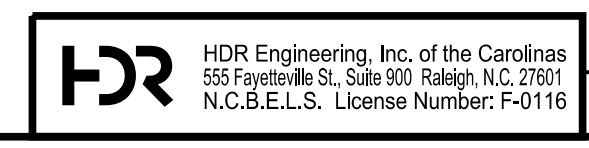


REVISIONS					
NO.	BY:	DATE:	NO.	BY:	DATE:
1	--	--	3	--	--
2	--	--	4	--	--

SHEET NO. S05-116
 TOTAL SHEETS 116

PLOT DRIVER: NCDOT.pdf_color_eng-50.ppt
 USER: PPEPERSO
 DATE: 10/17/2021
 TIME: 8:31:40 AM
 FILE: ...NBRIDGE

DES BY: L. ZAMPETTI	DATE: 07/19	DWG BY: M. SELLS	DATE: 07/19
DES CHK: J. ROBERTS	DATE: 07/19	CHK BY: S. NIFONG	DATE: 12/19



HDR Engineering, Inc. of the Carolinas
 555 Fayetteville St., Suite 900 Raleigh, N.C. 27601
 N.C.B.E.L.S. License Number: F-0116