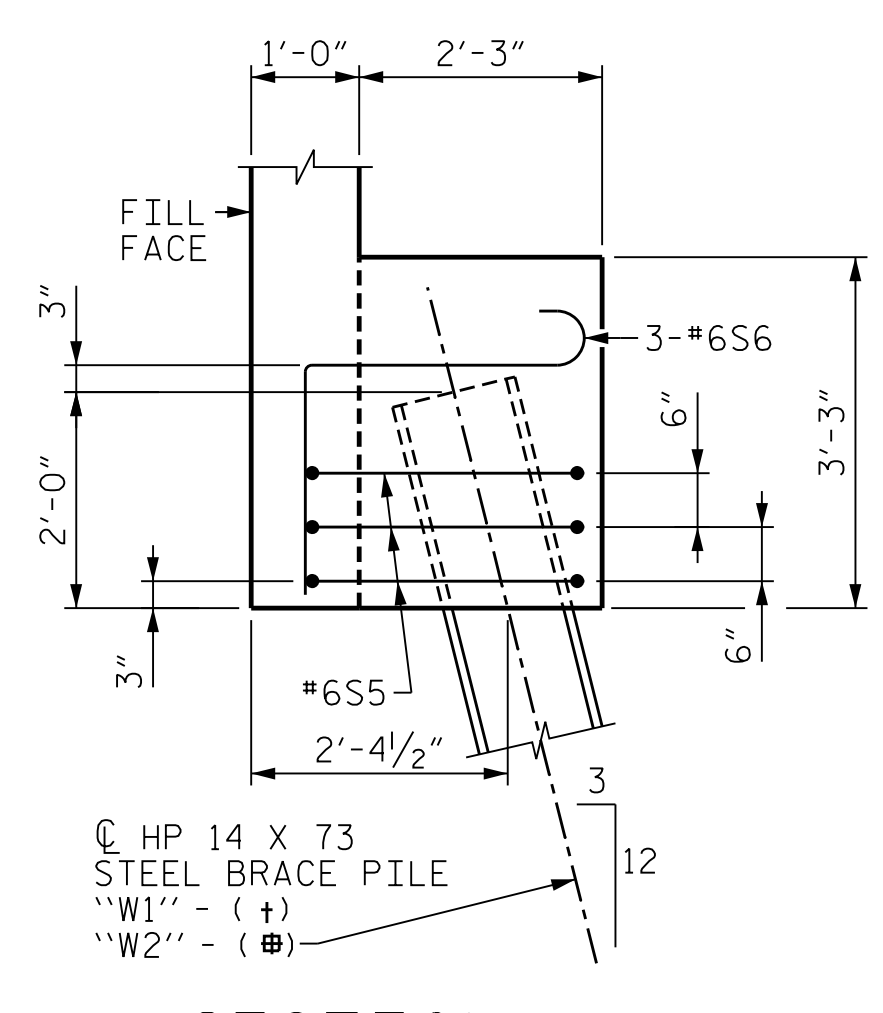
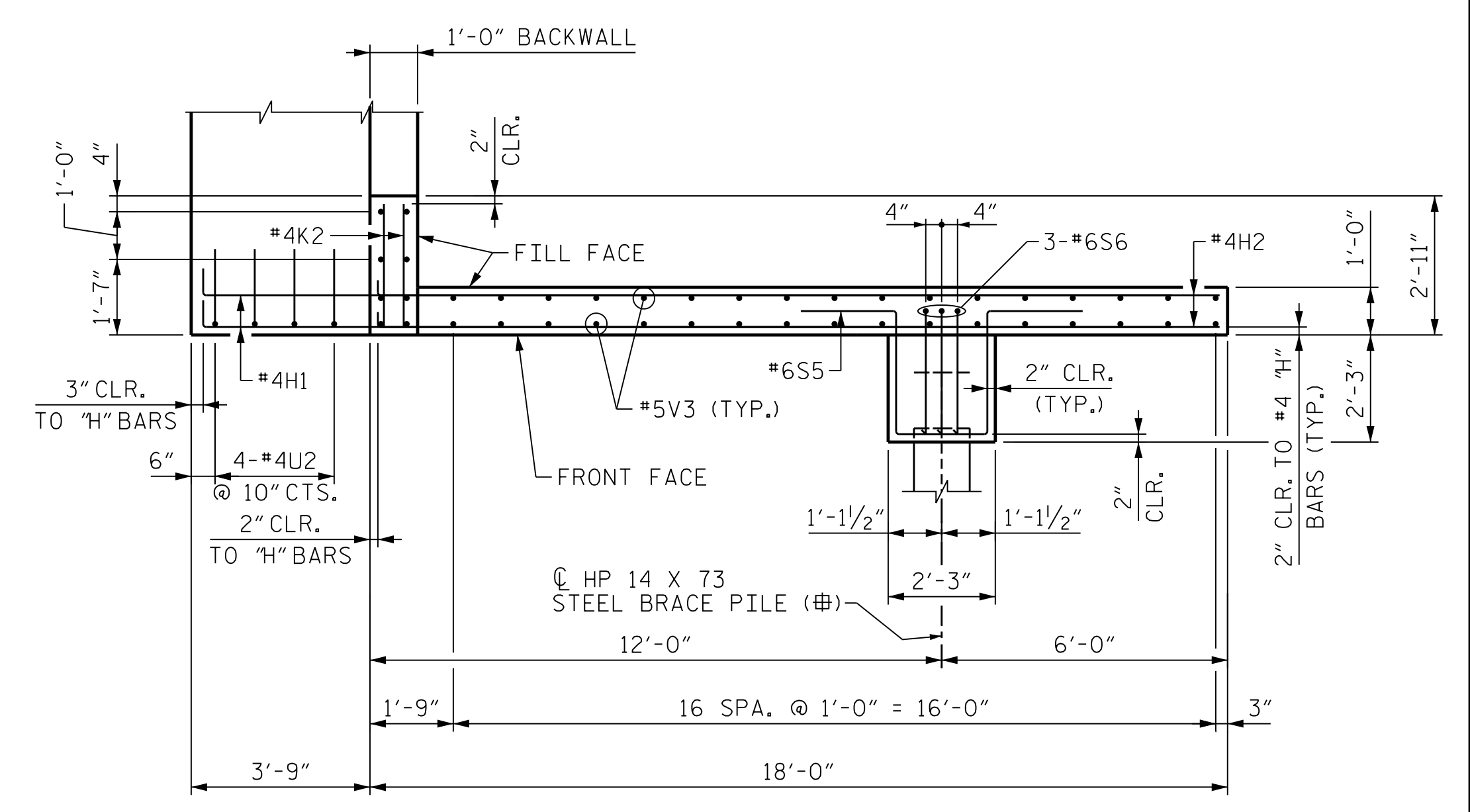


PLAN - WINGWALL "W1"

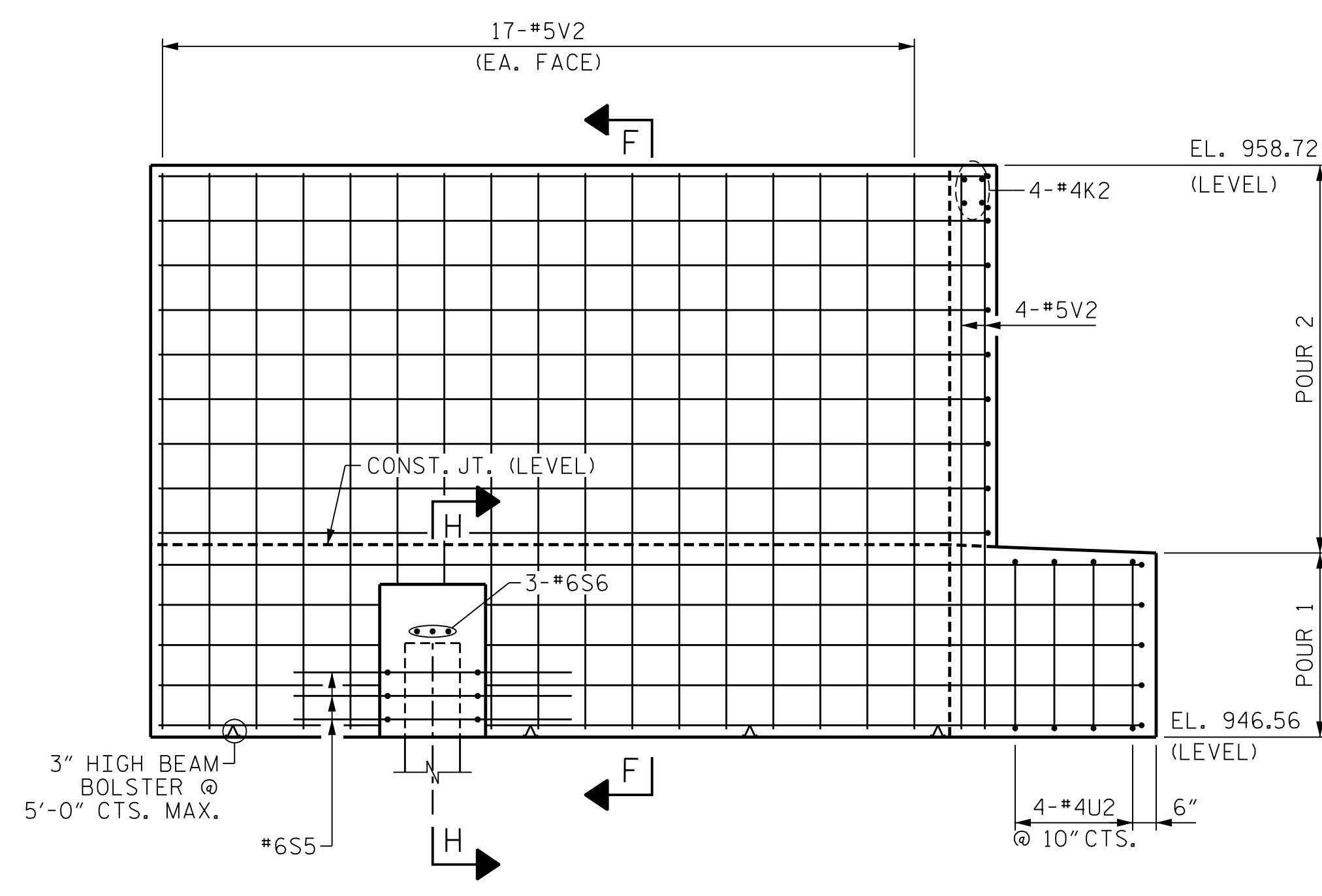


SECTION H-H

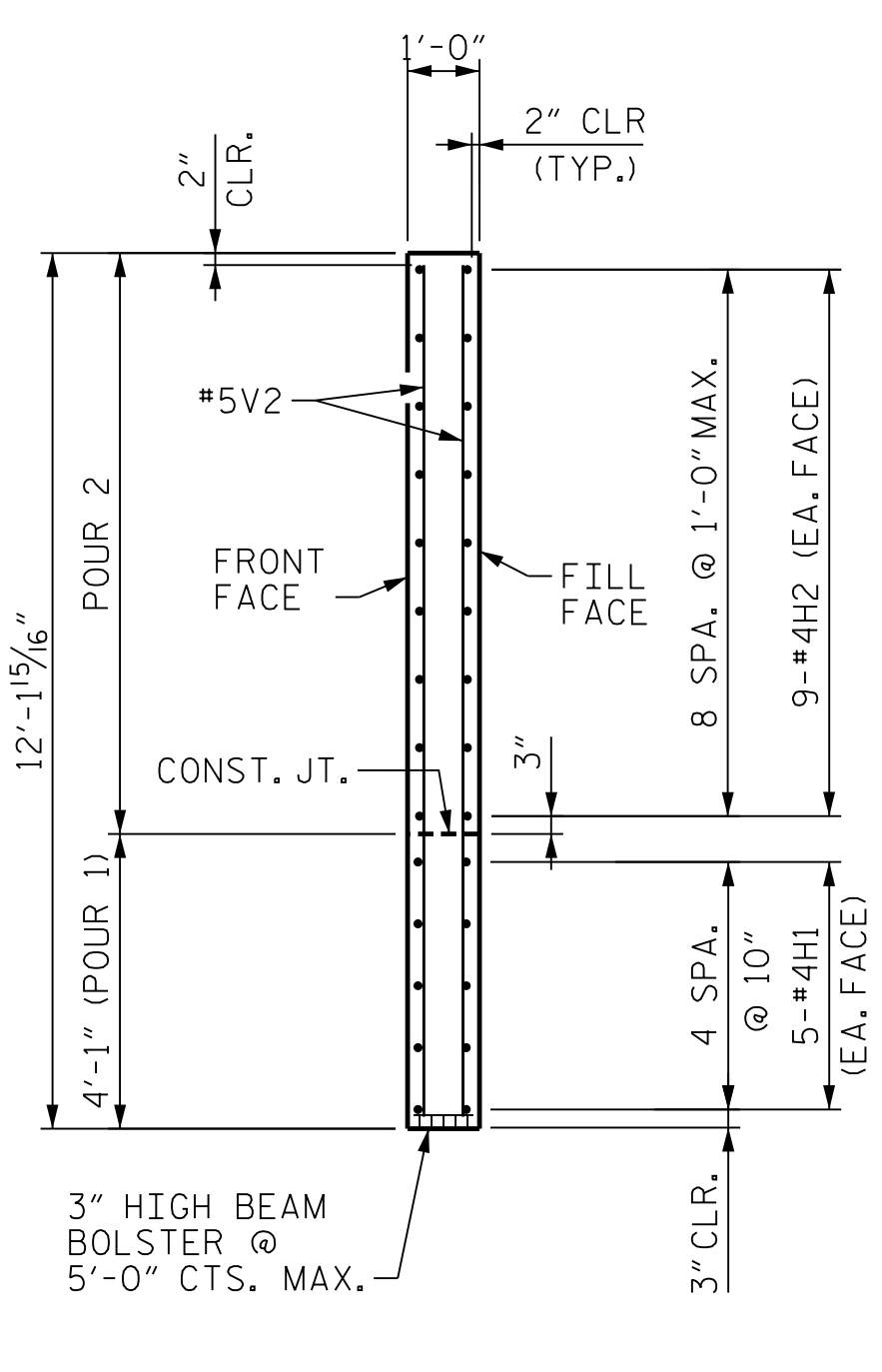


PLAN - WINGWALL "W2"

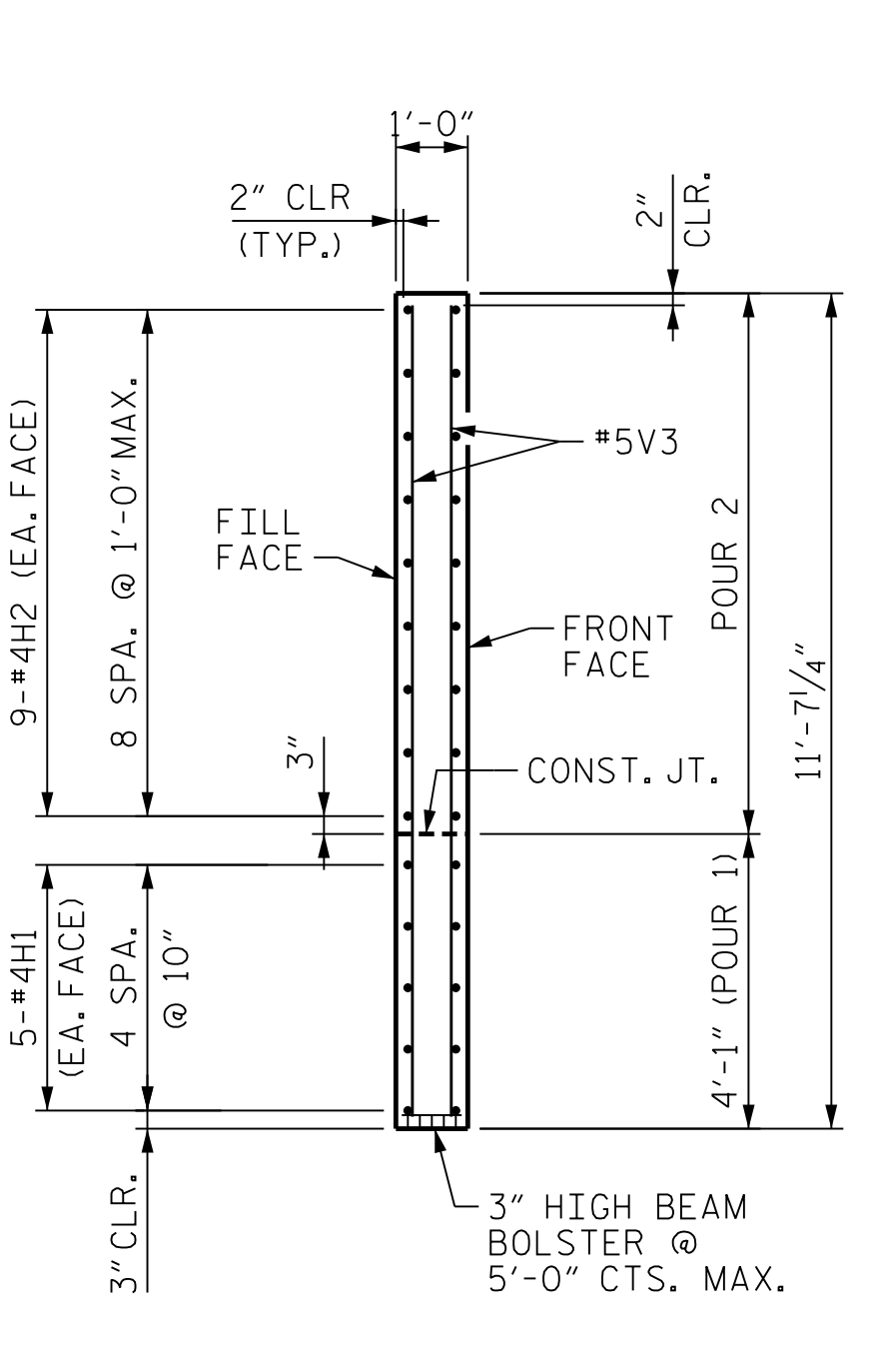
+ = PILE CUTOFF ELEVATION 948.56
= PILE CUTOFF ELEVATION 951.51



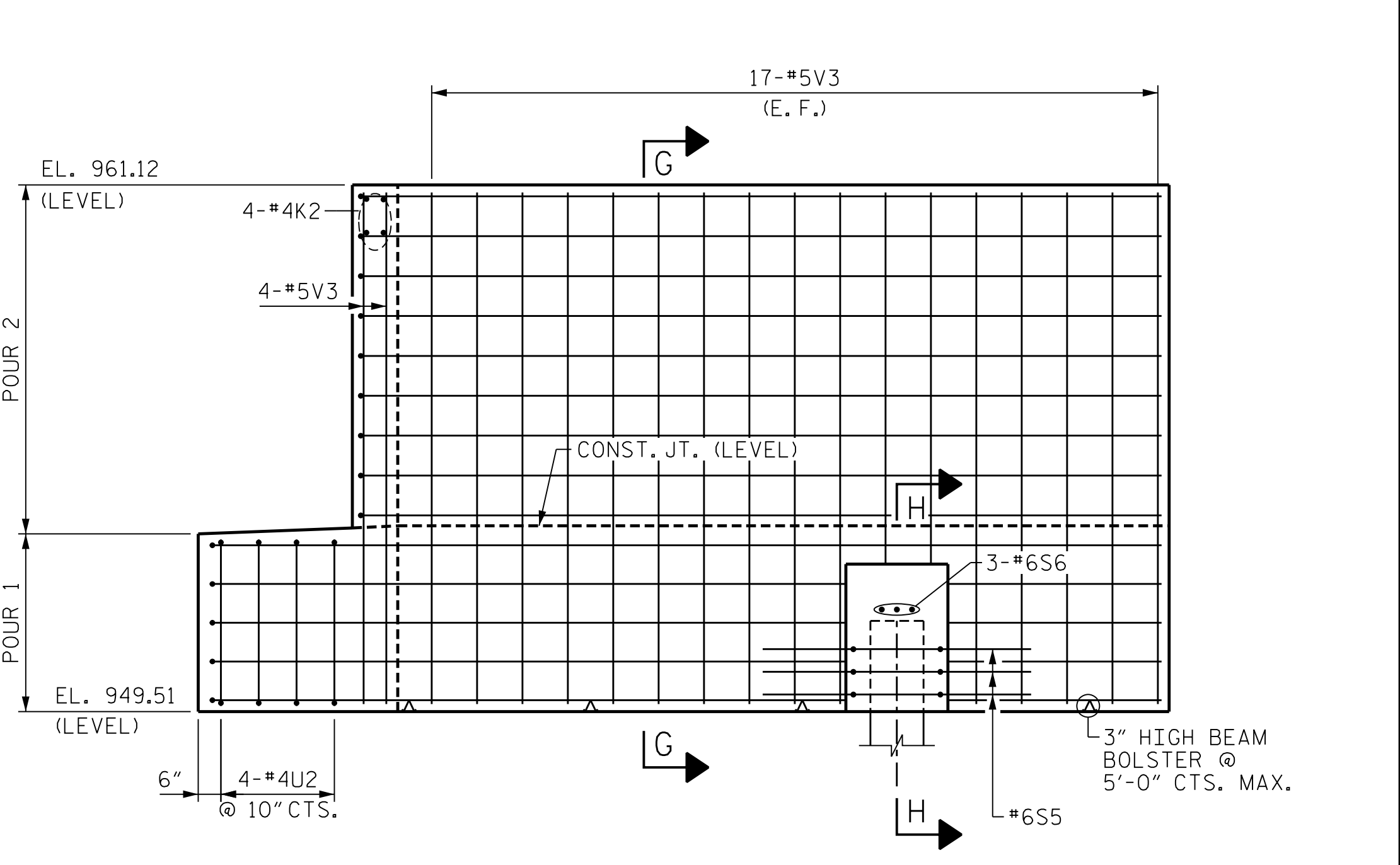
ELEVATION - WINGWALL "W1"



SECTION F-F



SECTION G-G



ELEVATION - WINGWALL "W2"

PROJECT NO. U-2579AB
FORSYTH COUNTY
STATION: 47+63.62 -Y15FLYBD-

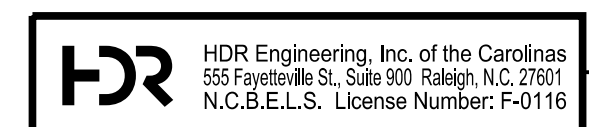
SHEET 2 OF 3



STATE OF NORTH CAROLINA
DEPARTMENT OF TRANSPORTATION
RALEIGH

SUBSTRUCTURE
END BENT 2
WING DETAILS

REVISIONS					
NO.	BY:	DATE:	NO.	BY:	DATE:
1	--	--	3	--	--
2	--	--	4	--	--



10/11/2021
DOCUMENT NOT CONSIDERED FINAL
UNLESS ALL SIGNATURES COMPLETED

PLOT DRIVER: NCDOT...
PENTABLE: NCDOT...
USER: PPETERSO...
DATE: 10/11/2021
FILE: ...SUBSTR

DES BY: A. ZEITOUNI	DATE: 07/19	DWG BY: B. PETERSON	DATE: 07/19
DES CHK: J. EARNEST	DATE: 07/19	CHK BY: J. EARNEST	DATE: 08/19