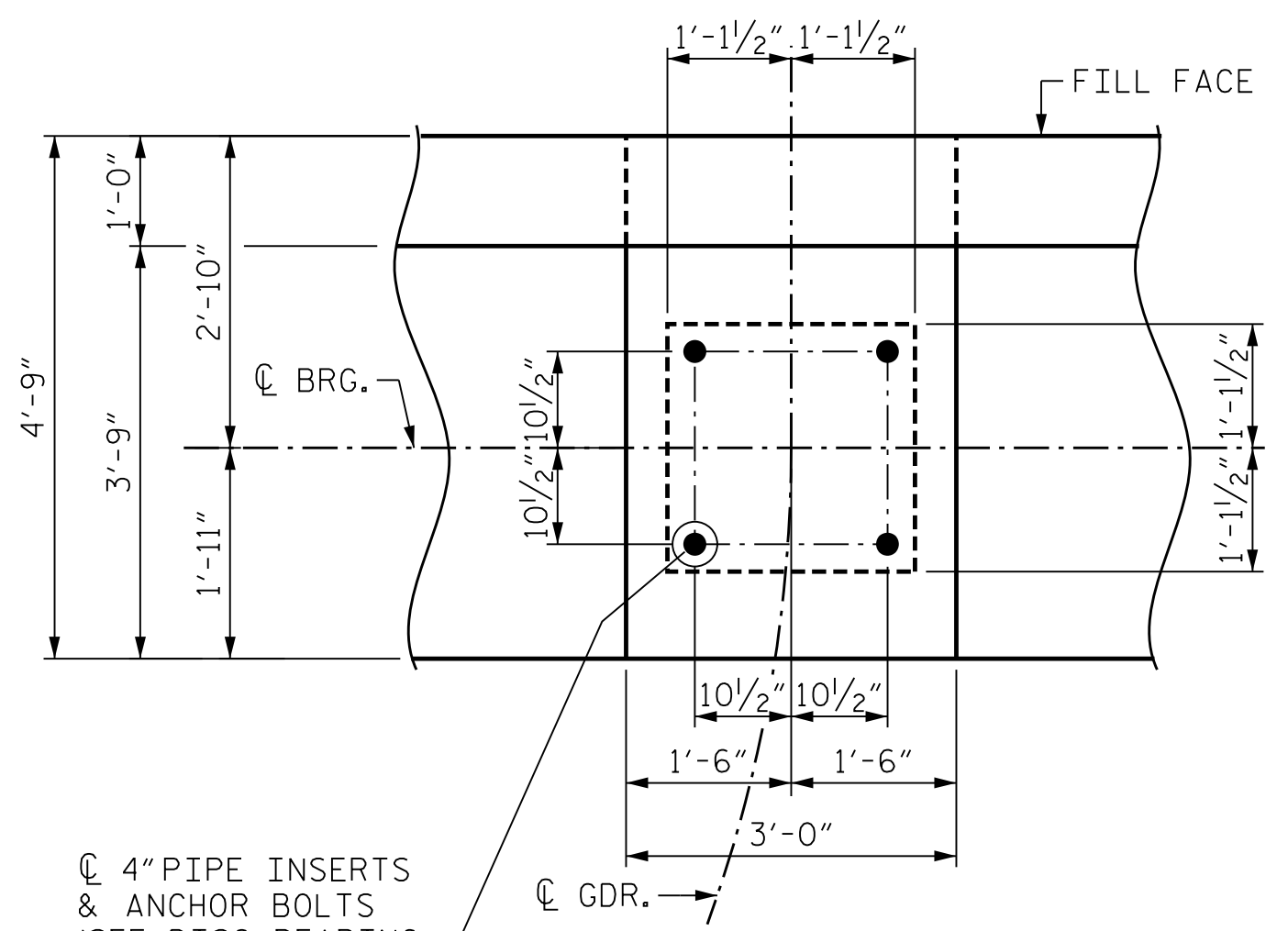


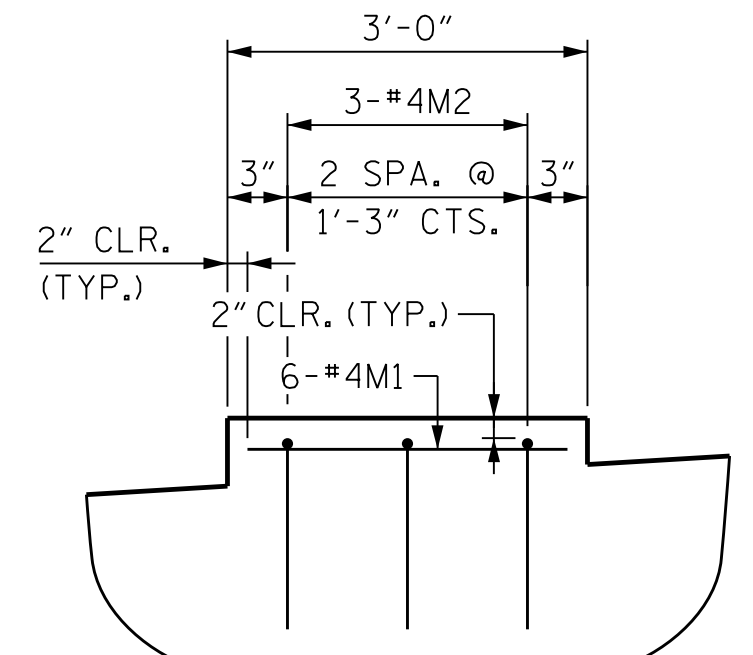
PLAN

† = THE CONCRETE IN THE SHADED AREA OF THE WING SHALL BE POURED AFTER THE BARRIER RAILS ARE CAST IF SLIP FORMING IS USED.

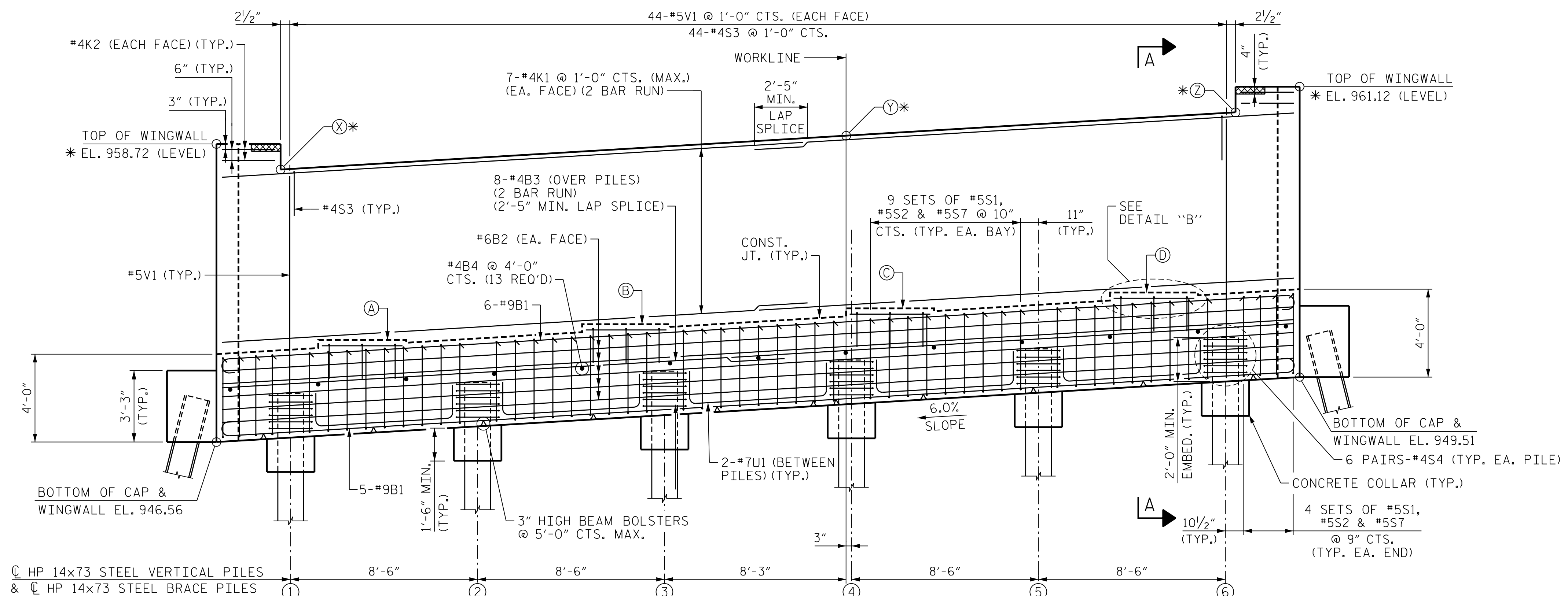
NOTES  
FOR SECTION A-A AND ADDITIONAL NOTES SEE "END BENT 2 SECTION & DETAILS".



DETAIL "A"  
(DIMENSIONS TYP. FOR ALL BEARINGS)



DETAIL "B"  
(TYP. FOR ALL GIRDERS)



ELEVATION

ELEVATION TABLE	
LOCATION	ELEVATION
A	951.21
B	951.93
C	952.65
D	953.37
* X	956.95
* Y	958.49
* Z	959.55
* AT FILL FACE	

TOP OF PILE ELEVATIONS		
LOCATION	ELEVATION	
1	948.79	
2	949.30	
3	949.81	
4	950.32	
5	950.83	
6	951.34	

PROJECT NO. U-2579AB  
 FORSYTH COUNTY  
 STATION: 47+63.62 -Y15FLYBD-  
 SHEET 1 OF 3



STATE OF NORTH CAROLINA  
 DEPARTMENT OF TRANSPORTATION  
 RALEIGH  
 SUBSTRUCTURE  
 END BENT 2  
 PLAN AND ELEVATION

REVISIONS					
NO.	BY:	DATE:	NO.	BY:	DATE:
1	--	--	3	--	--
2	--	--	4	--	--

PLOT DRIVER: NCDOT.pdf\_color\_eng-50dpi  
 USER: PPETERSO DATE: 10/17/2021  
 TIME: 8:30:49 AM  
 FILE: ...SUBSTR

DES BY: A. ZEITOUNI DATE: 07/19  
 DES CHK: J. EARNEST DATE: 07/19  
 DWG BY: B. PETERSON DATE: 07/19  
 CHK BY: J. EARNEST DATE: 08/19

**HDR** HDR Engineering, Inc. of the Carolinas  
 555 Fayetteville St., Suite 900 Raleigh, N.C. 27601  
 N.C.B.E.L.S. License Number: F-0116

10/11/2021  
 DOCUMENT NOT CONSIDERED FINAL  
 UNLESS ALL SIGNATURES COMPLETED

SHEET NO. S05-111  
 TOTAL SHEETS 116