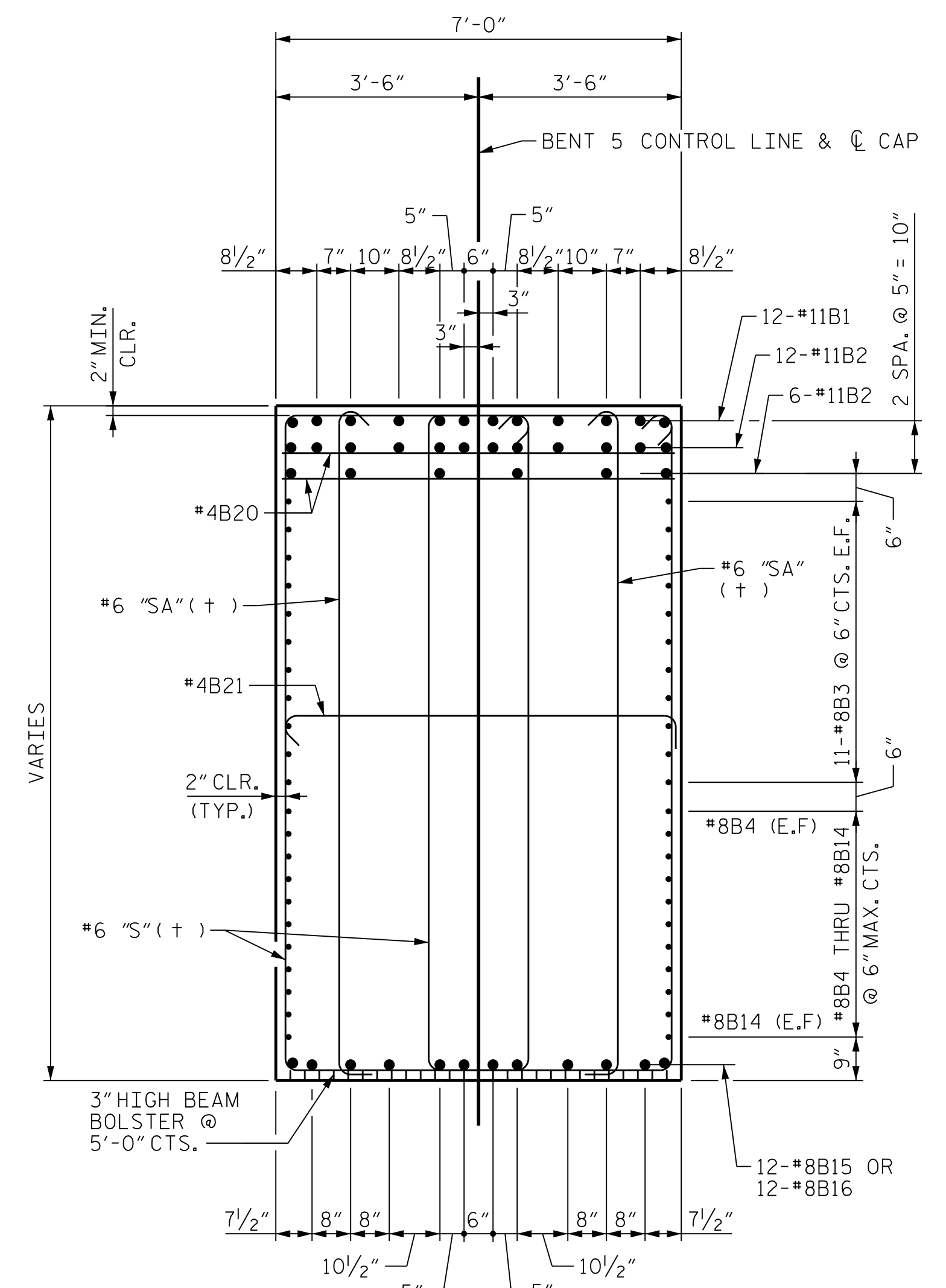
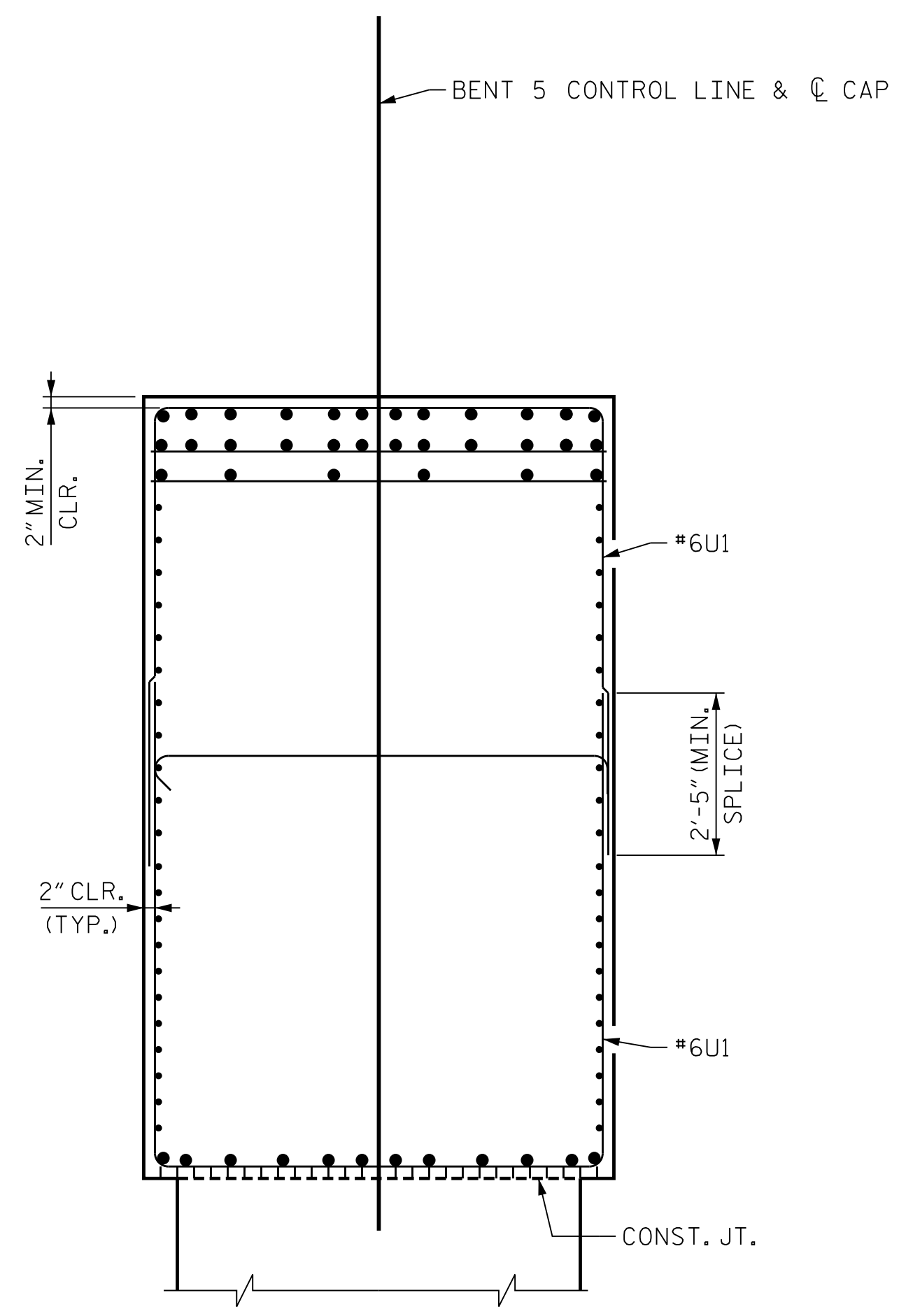


NOTE
SEE SHEETS 1 AND 2 OF 6 FOR NOTES.

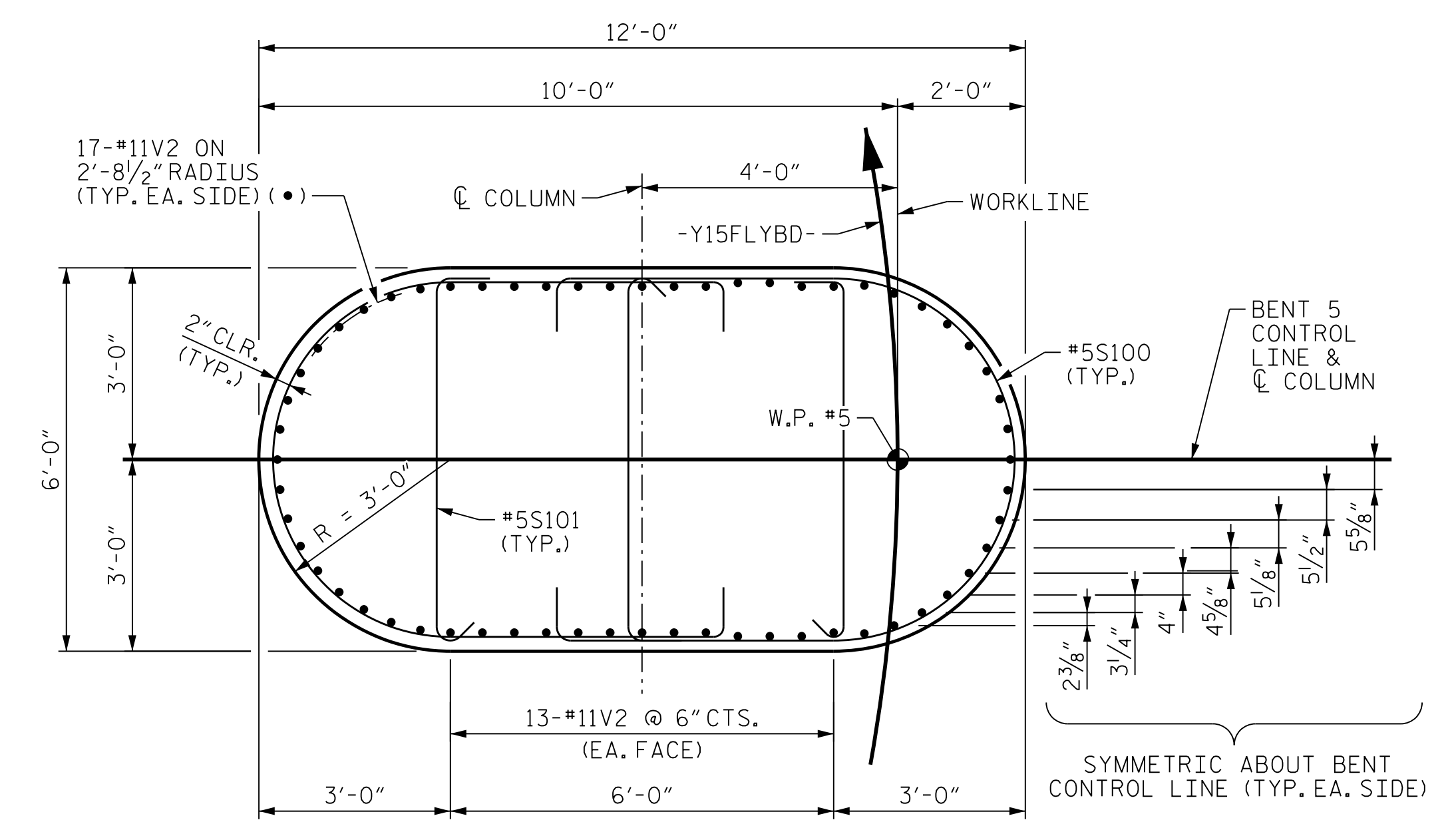


SECTION D-D
(+) SEE "STIRRUP SET DETAIL"



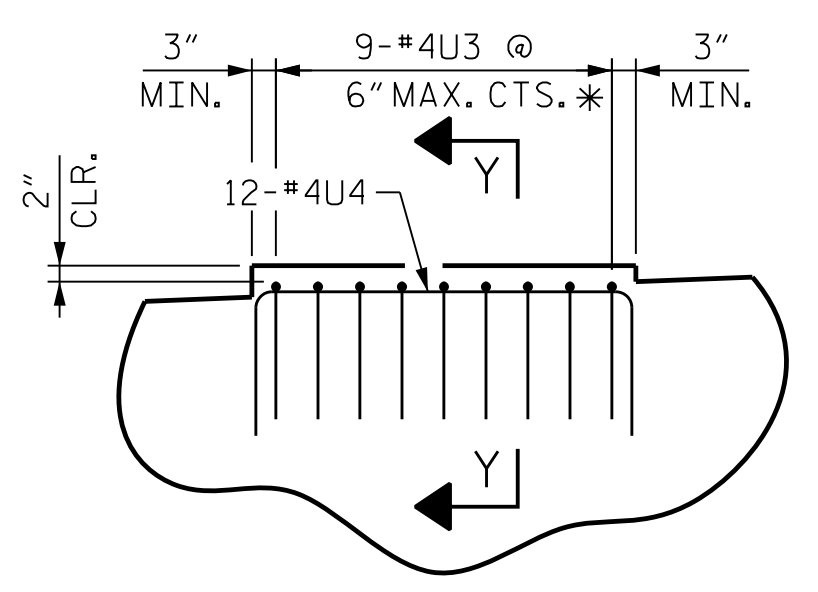
SEE SECTION D-D FOR ADDITIONAL INFORMATION

SECTION E-E
COLUMN REINFORCING STEEL NOT SHOWN FOR CLARITY

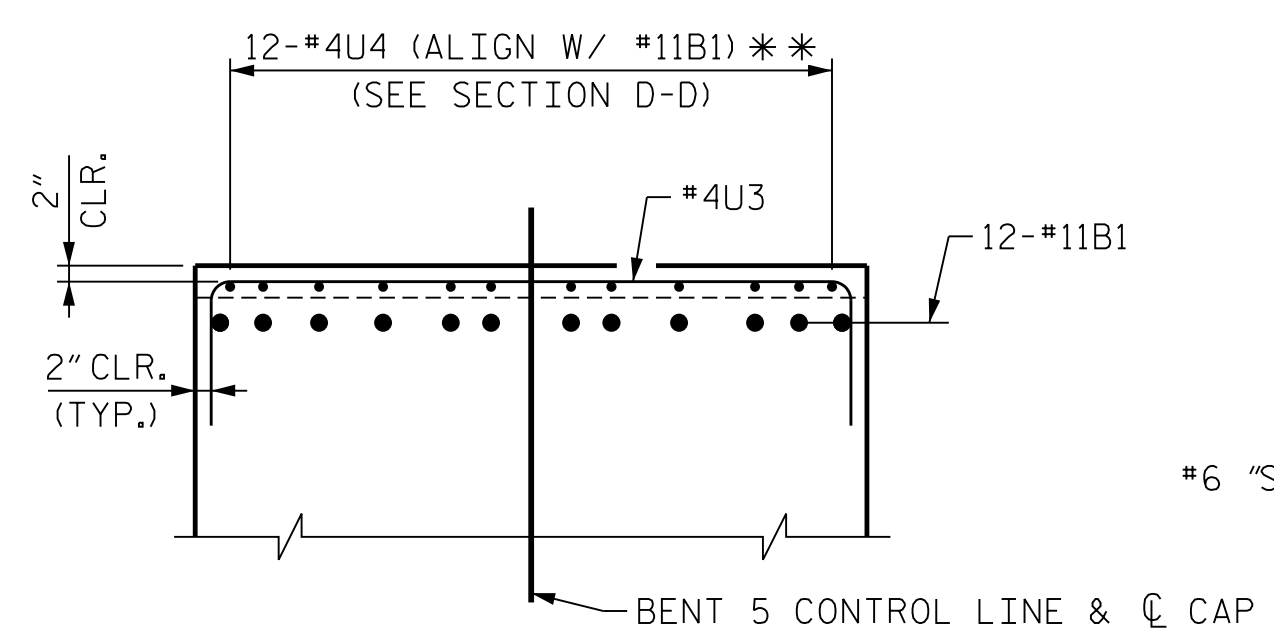


SECTION C-C

SYMMETRIC ABOUT BENT CONTROL LINE (TYP. EA. SIDE)



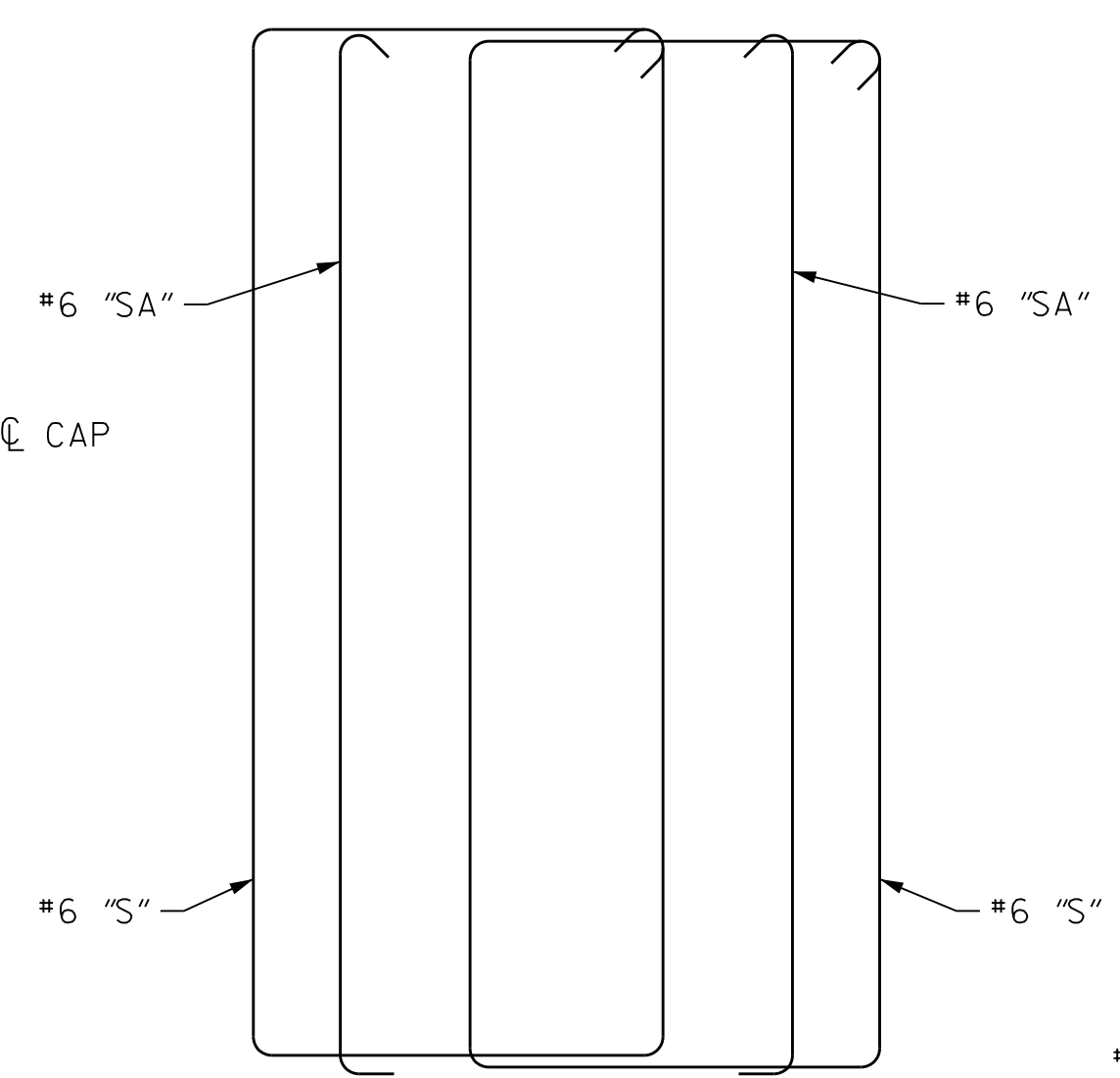
DETAIL "B"



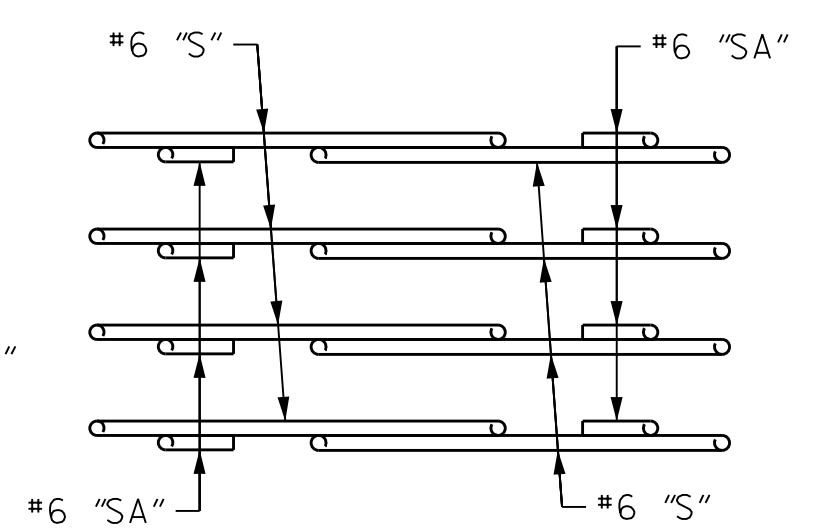
SECTION Y-Y

* NOTE:
#4U3 BARS MAY BE SHIFTED SLIGHTLY AS NECESSARY TO CLEAR ANCHOR BOLTS.

** NOTE:
#4U4 BARS MAY BE SHIFTED AS NECESSARY TO CLEAR #11B1 AND #11B2 BARS.



ELEVATION
(SCHEMATIC)



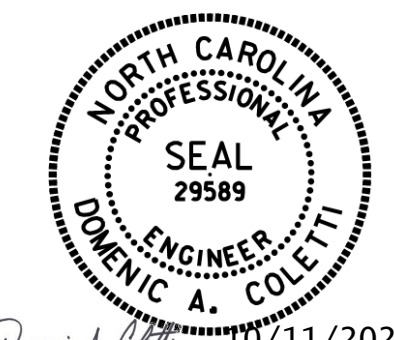
PLAN
(SHOWING BAR PLACEMENT)

STIRRUP SET DETAIL

PROJECT NO. U-2579AB
 FORSYTH COUNTY
 STATION: 47+63.62 -Y15FLYBD-
 SHEET 5 OF 6

STATE OF NORTH CAROLINA
 DEPARTMENT OF TRANSPORTATION
 RALEIGH

SUBSTRUCTURE
 BENT 5
 BENT CAP DETAILS



10/11/2021

REVISIONS					
NO.	BY:	DATE:	NO.	BY:	DATE:
1	--	--	3	--	--
2	--	--	4	--	--

SHEET NO. S05-102
 TOTAL SHEETS 116



DOCUMENT NOT CONSIDERED FINAL UNLESS ALL SIGNATURES COMPLETED

PLOT DRIVER: NCDOT.pdf_color_eng-50dpi
 USER: PPETERSO DATE: 10/11/2021
 TIME: 8:29:33 AM
 FILE: ...SUBSTR

DES BY: K. OLIVER	DATE: 10/19	DWG BY: B. PETERSON	DATE: 11/19
DES CHK: M. WERNER	DATE: 10/19	CHK BY: N. LIU	DATE: 12/19