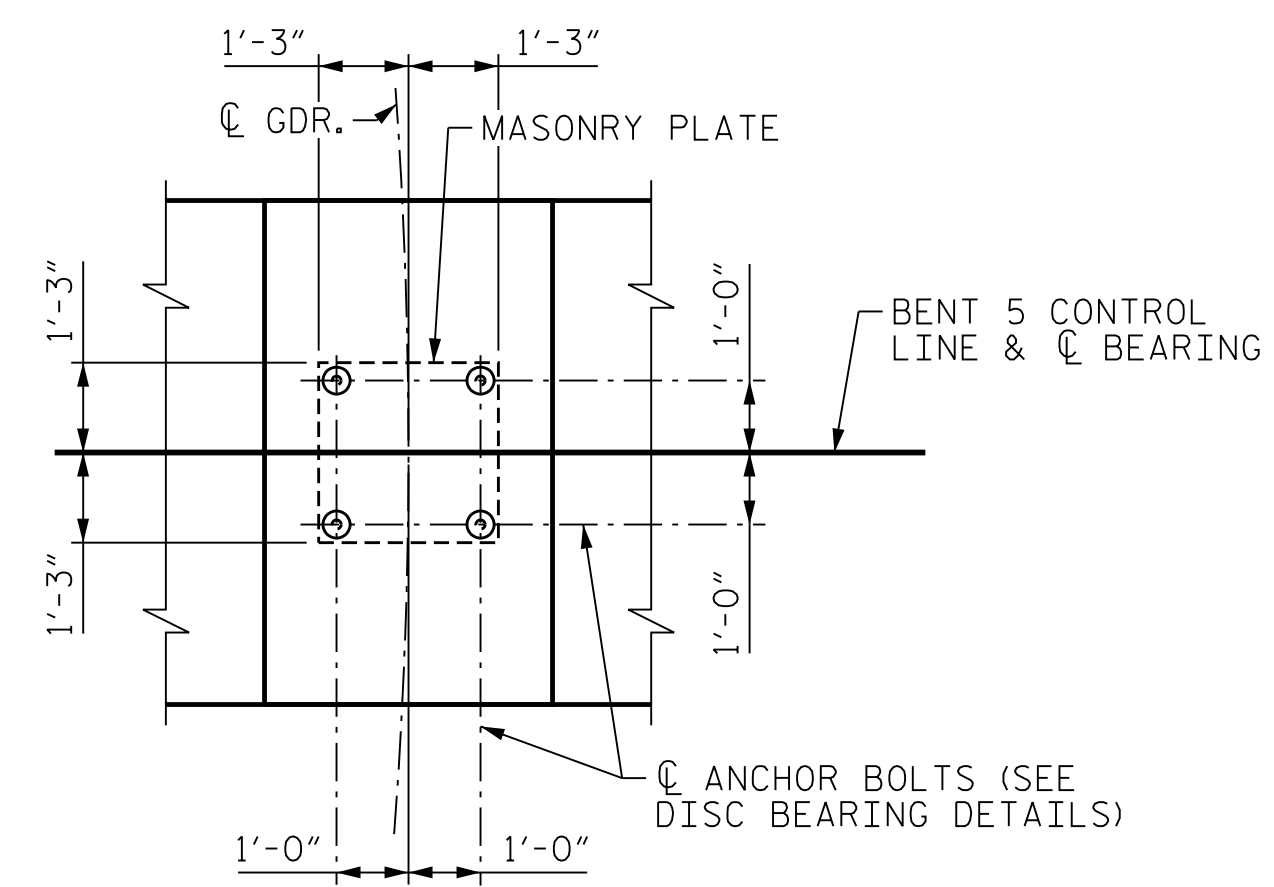
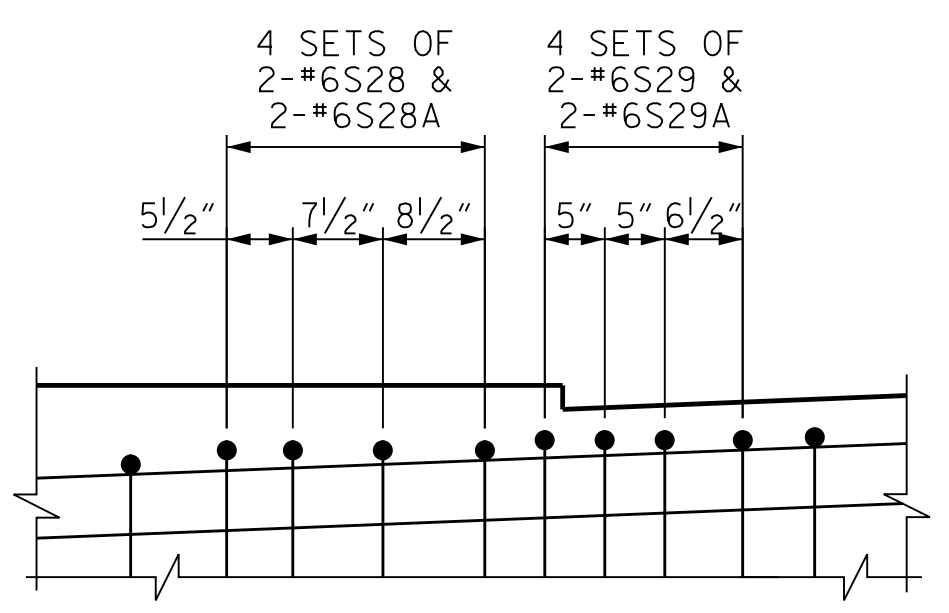


PLAN OF CAP

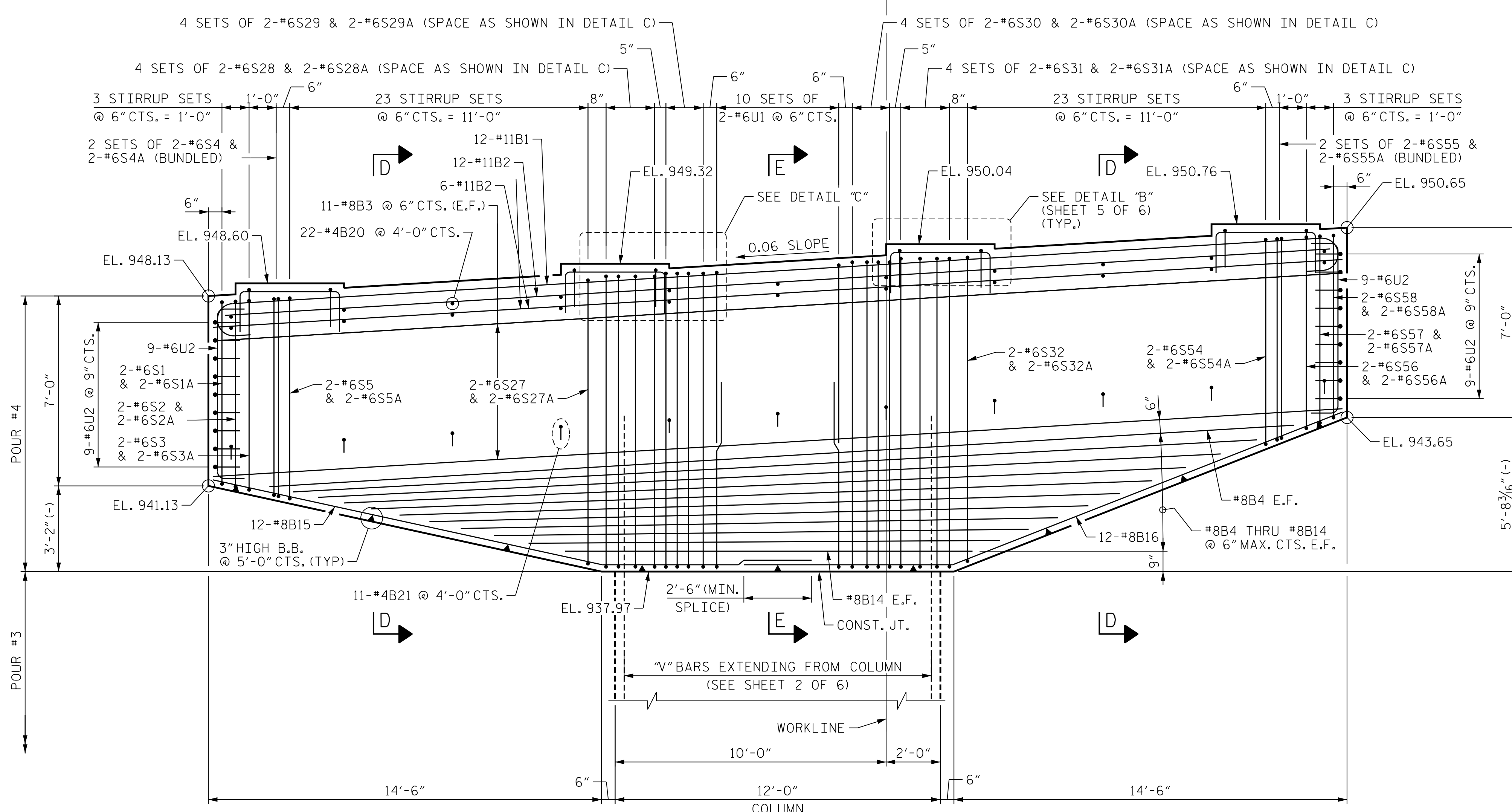


DETAIL "A"
(TYP. @ EA. BEARING)

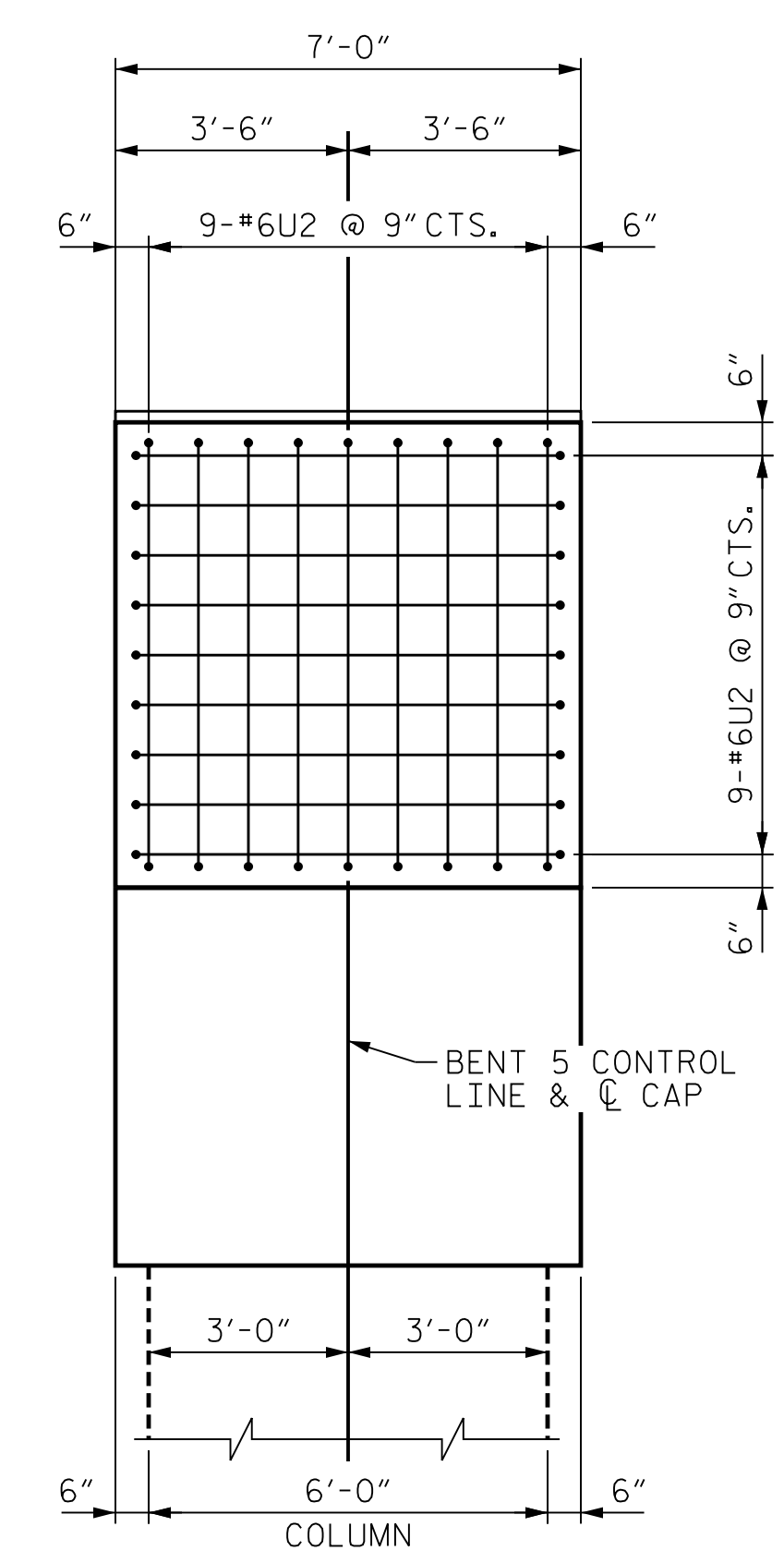


DETAIL "C"

DETAIL SHOWN AT LEFT SIDE OF CAP (SPACING OF STIRRUPS MIRRORED AT RIGHT SIDE OF CAP WITH BARS #6S30/#6S30A AND #6S31/#6S31A AS SHOWN ON THE ELEVATION)

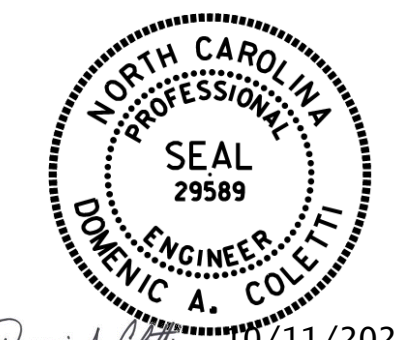


ELEVATION OF CAP



END VIEW

PROJECT NO. U-2579AB
 FORSYTH COUNTY
 STATION: 47+63.62 -Y15FLYBD-
 SHEET 4 OF 6



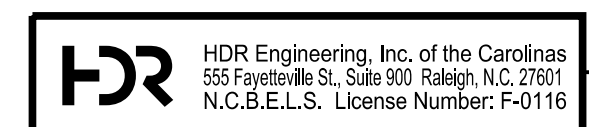
STATE OF NORTH CAROLINA
 DEPARTMENT OF TRANSPORTATION
 RALEIGH

**SUBSTRUCTURE
 BENT 5
 BENT CAP PLAN
 AND ELEVATION**

REVISIONS						SHEET NO. S05-101 TOTAL SHEETS 116
NO.	BY:	DATE:	NO.	BY:	DATE:	
1	--	--	3	--	--	
2	--	--	4	--	--	

PLOT DRIVER: NCDOT...
 USER: PPETERSO...
 DATE: 10/11/2021...
 FILE: ...SUBSTR...

DES BY: <u>K. OLIVER</u>	DATE: <u>10/19</u>	DWG BY: <u>B. PETERSON</u>	DATE: <u>11/19</u>
DES CHK: <u>M. WERNER</u>	DATE: <u>10/19</u>	CHK BY: <u>N. LIU</u>	DATE: <u>12/19</u>



10/11/2021
 DOCUMENT NOT CONSIDERED FINAL
 UNLESS ALL SIGNATURES COMPLETED