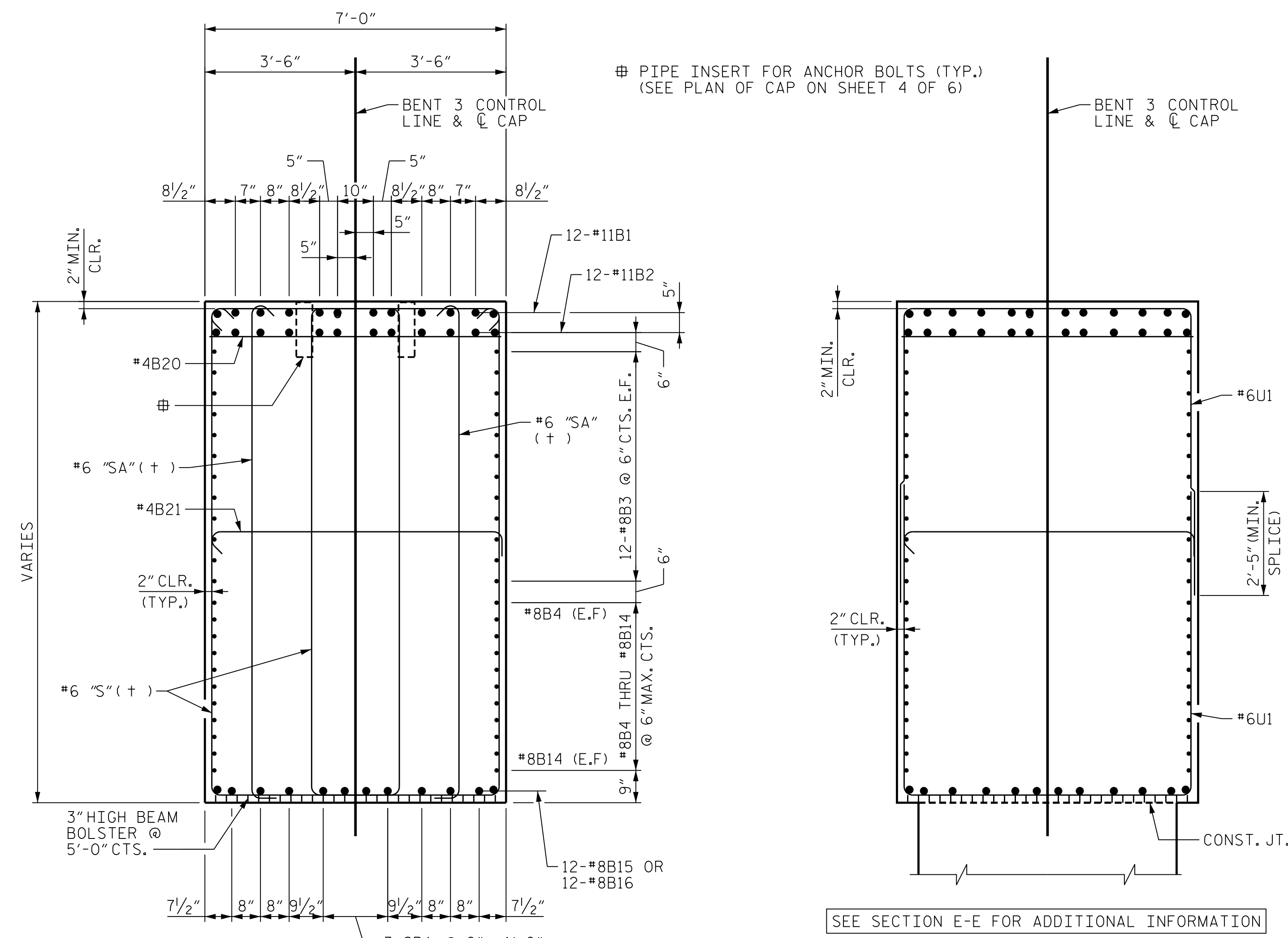
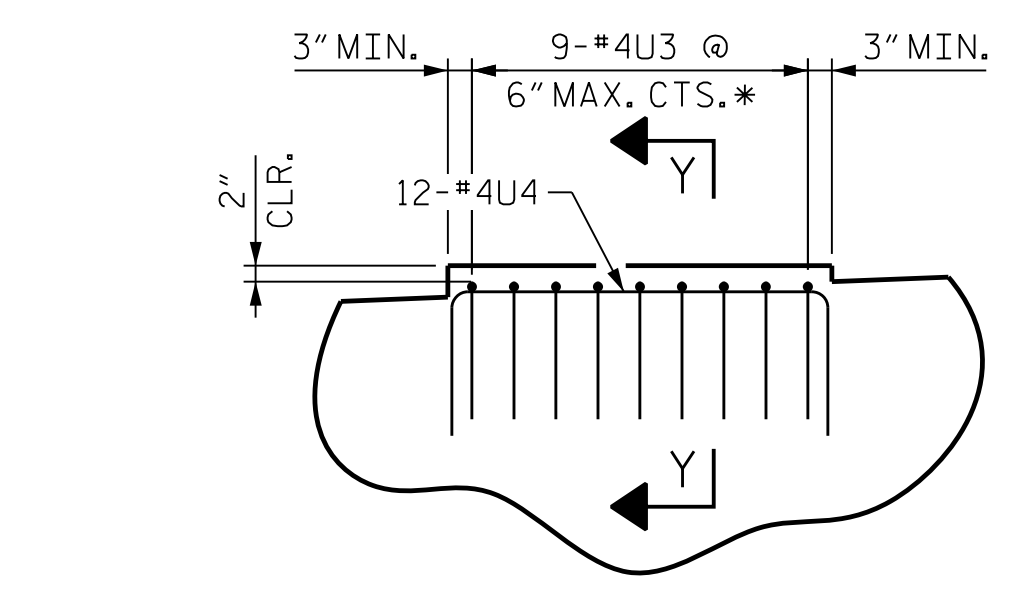


NOTE
SEE SHEETS 1 AND 2 OF 6 FOR NOTES.

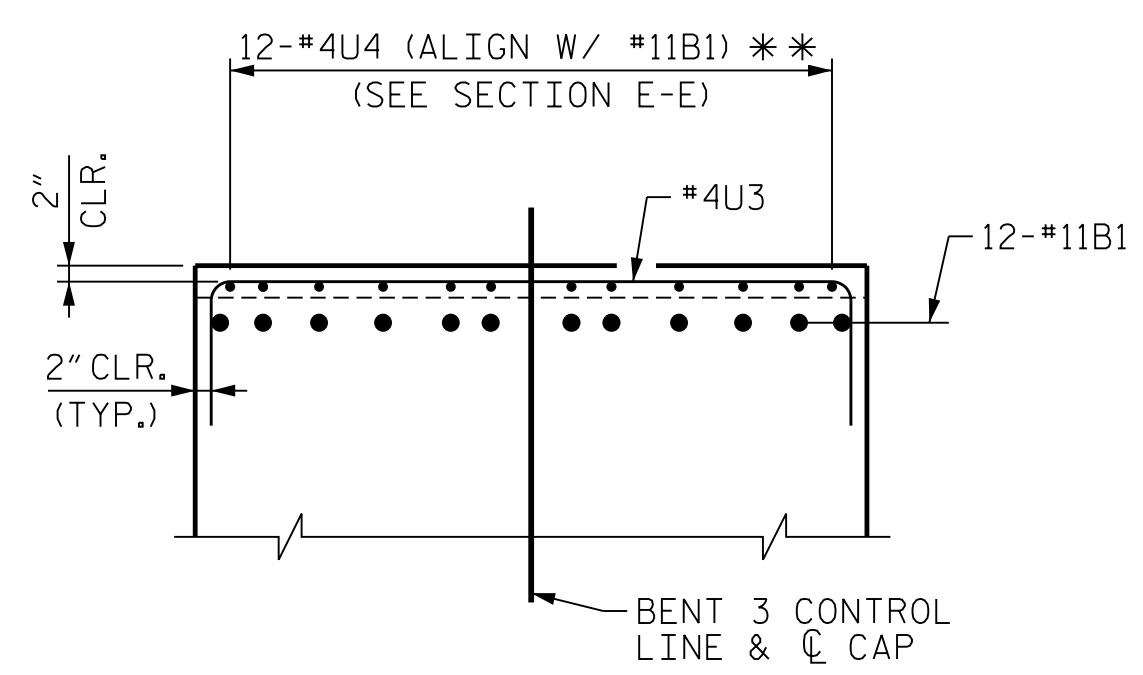


SECTION E-E
(+) SEE "STIRRUP SET DETAIL"

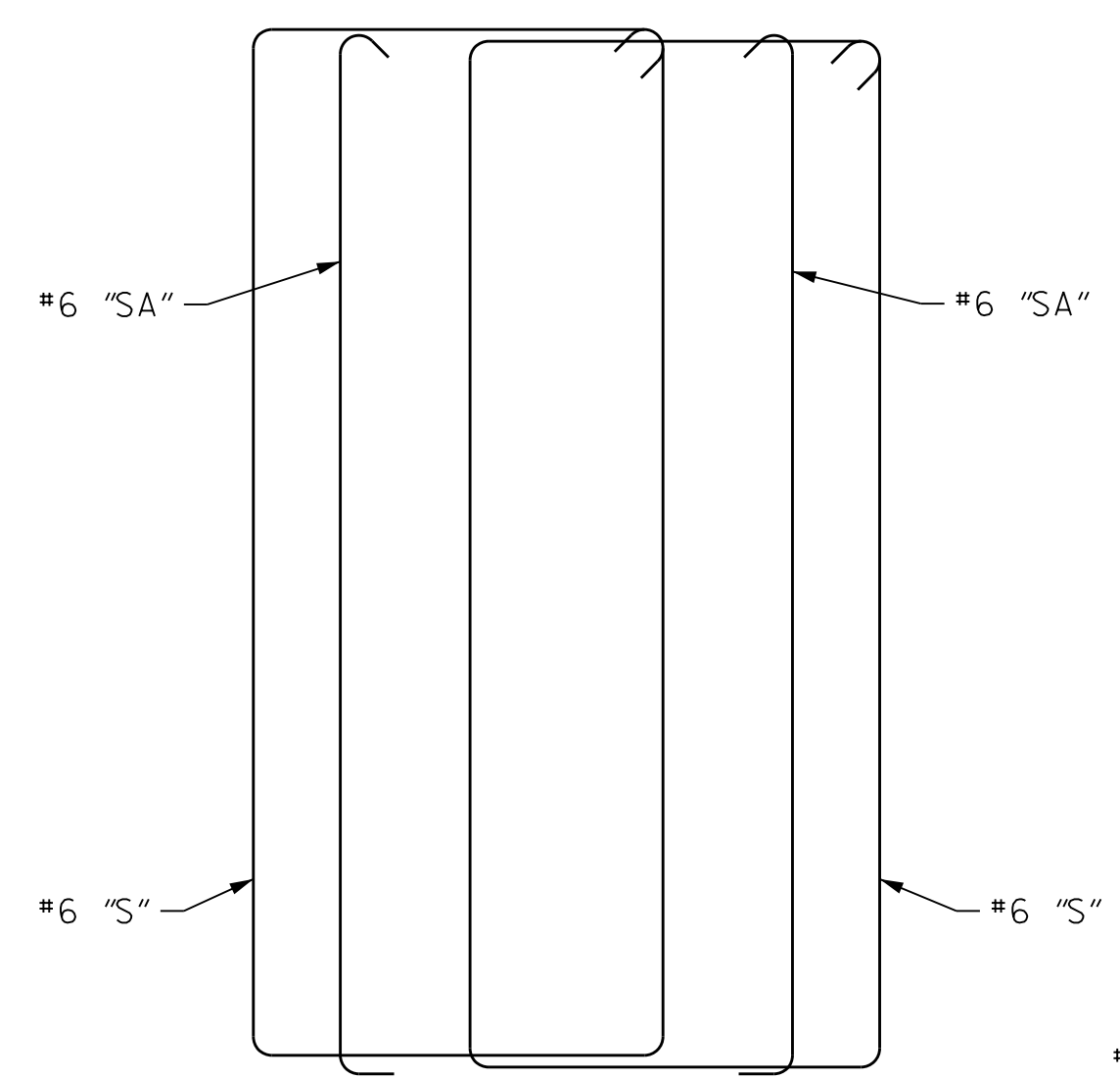
SECTION F-F
COLUMN REINFORCING STEEL NOT SHOWN FOR CLARITY



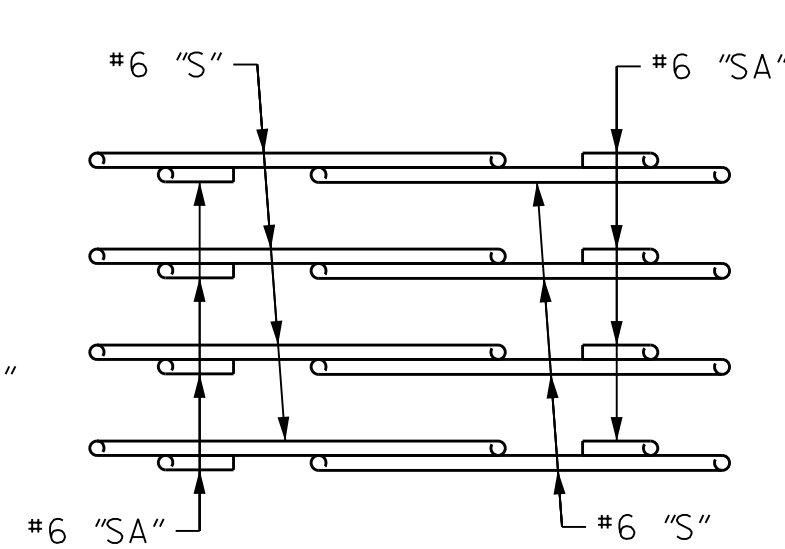
DETAIL "B"



SECTION Y-Y



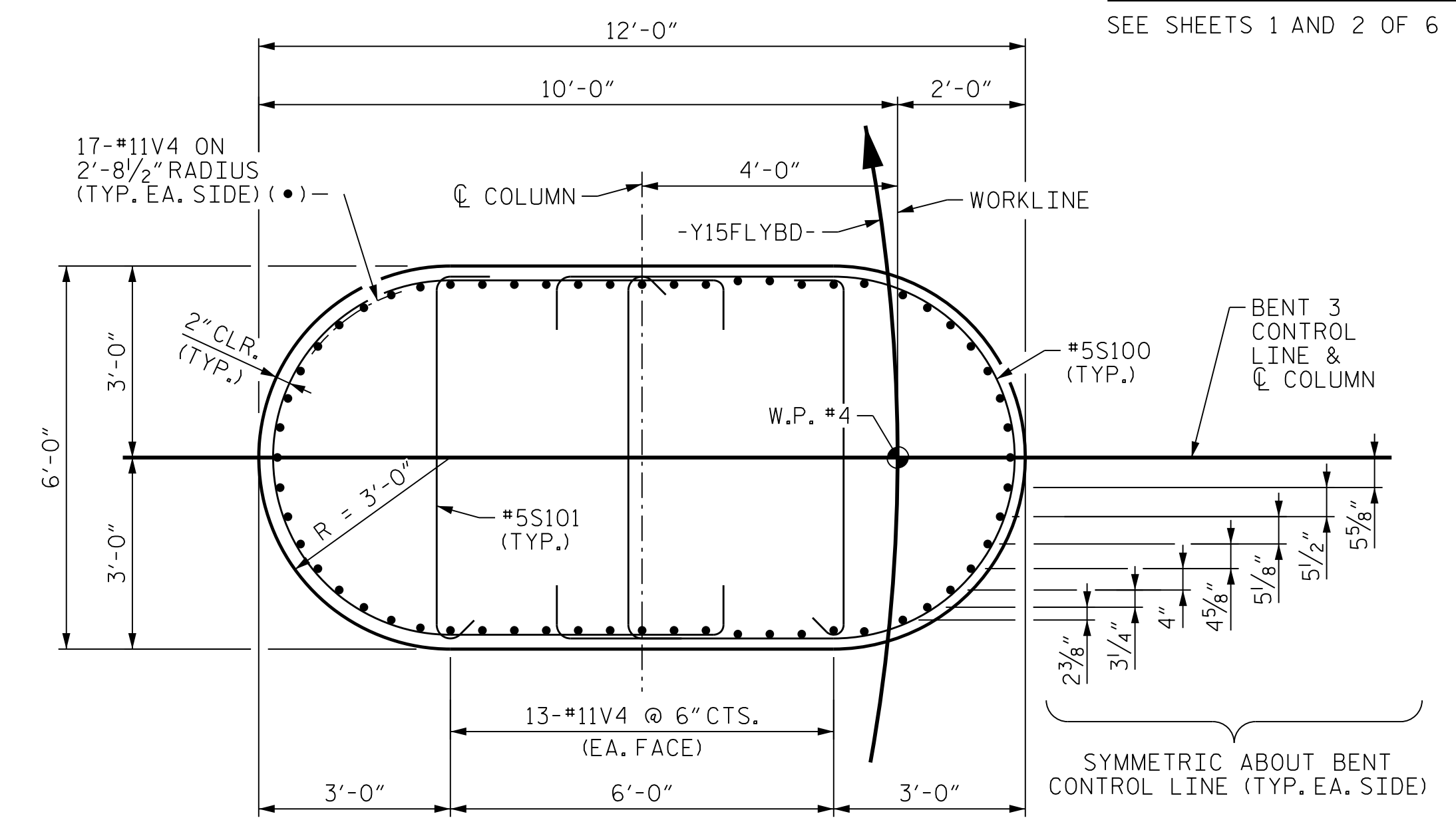
ELEVATION
(SCHEMATIC)



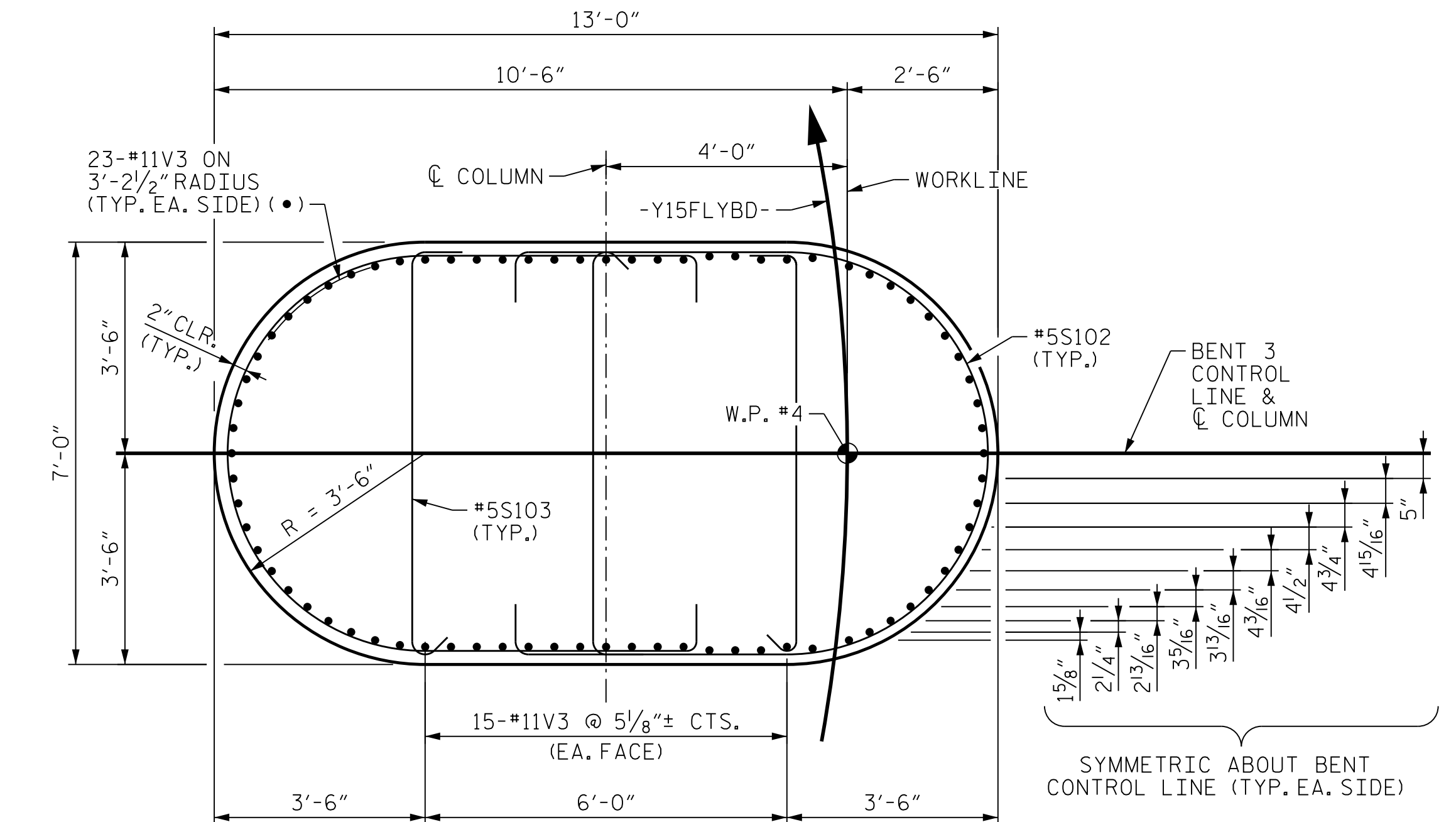
PLAN
(SHOWING BAR PLACEMENT)

* NOTE:
#4U3 BARS MAY BE SHIFTED SLIGHTLY AS NECESSARY TO CLEAR PIPE INSERTS FOR ANCHOR BOLTS.

** NOTE:
#4U4 BARS MAY BE SHIFTED AS NECESSARY TO CLEAR #11B1 AND #11B2 BARS.



SECTION D-D



SECTION C-C

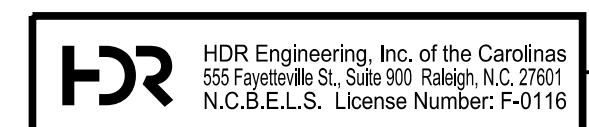
PROJECT NO. U-2579AB
 FORSYTH COUNTY
 STATION: 47+63.62 -Y15FLYBD-
 SHEET 5 OF 6



STATE OF NORTH CAROLINA
 DEPARTMENT OF TRANSPORTATION
 RALEIGH

SUBSTRUCTURE
 BENT 3
 BENT CAP DETAILS

REVISIONS					
NO.	BY:	DATE:	NO.	BY:	DATE:
1	--	--	3	--	--
2	--	--	4	--	--



DOCUMENT NOT CONSIDERED FINAL
 UNLESS ALL SIGNATURES COMPLETED

PLOT DRIVER: NCDOT...
 USER: PPETERSO...
 FILE: ...SUBSTR...
 DATE: 10/11/2021
 TIME: 8:27:47 AM

DES BY: K. OLIVER	DATE: 10/19	DWG BY: B. PETERSON	DATE: 11/19
DES CHK: M. WERNER	DATE: 10/19	CHK BY: N. LIU	DATE: 12/19