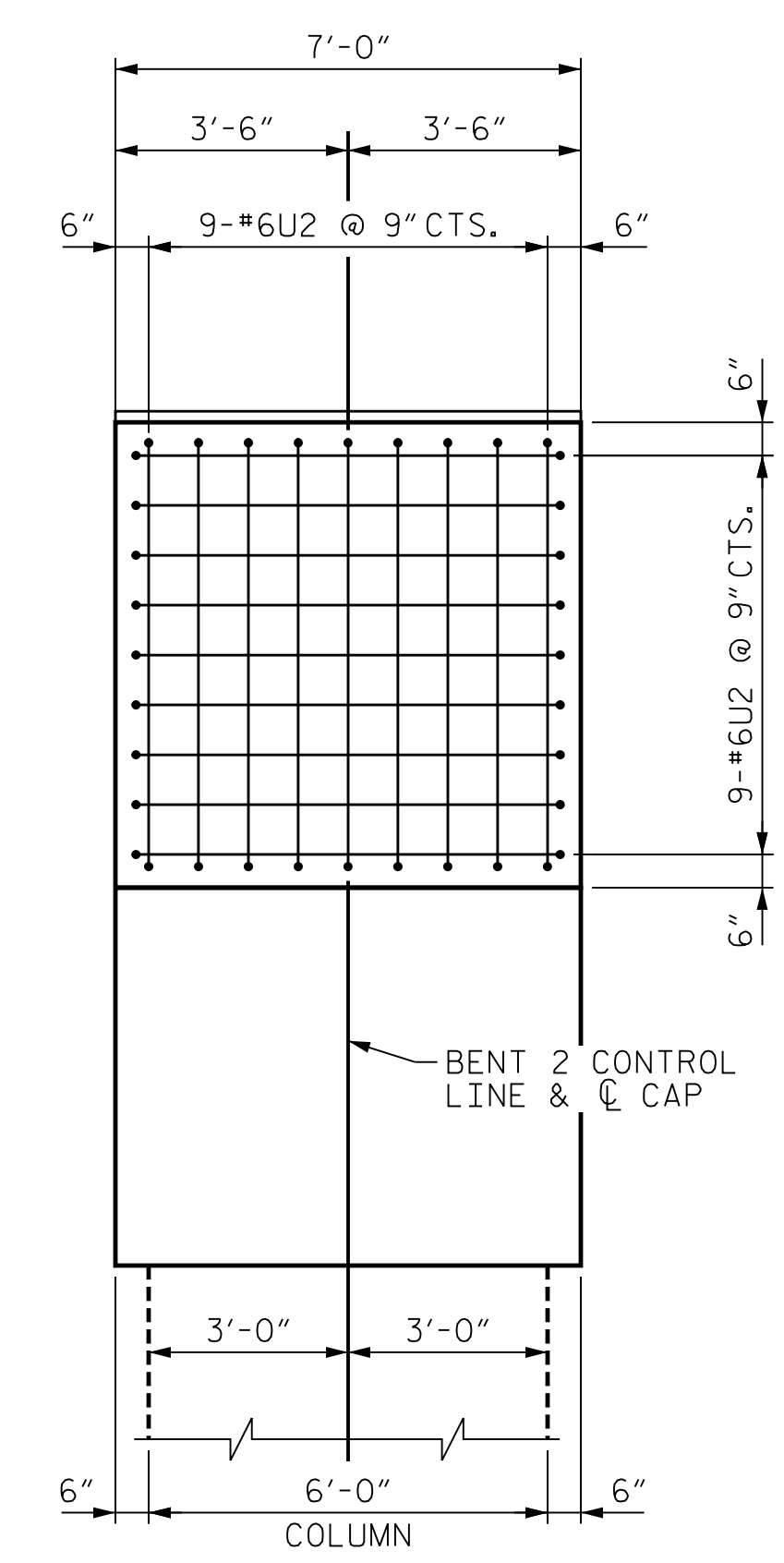
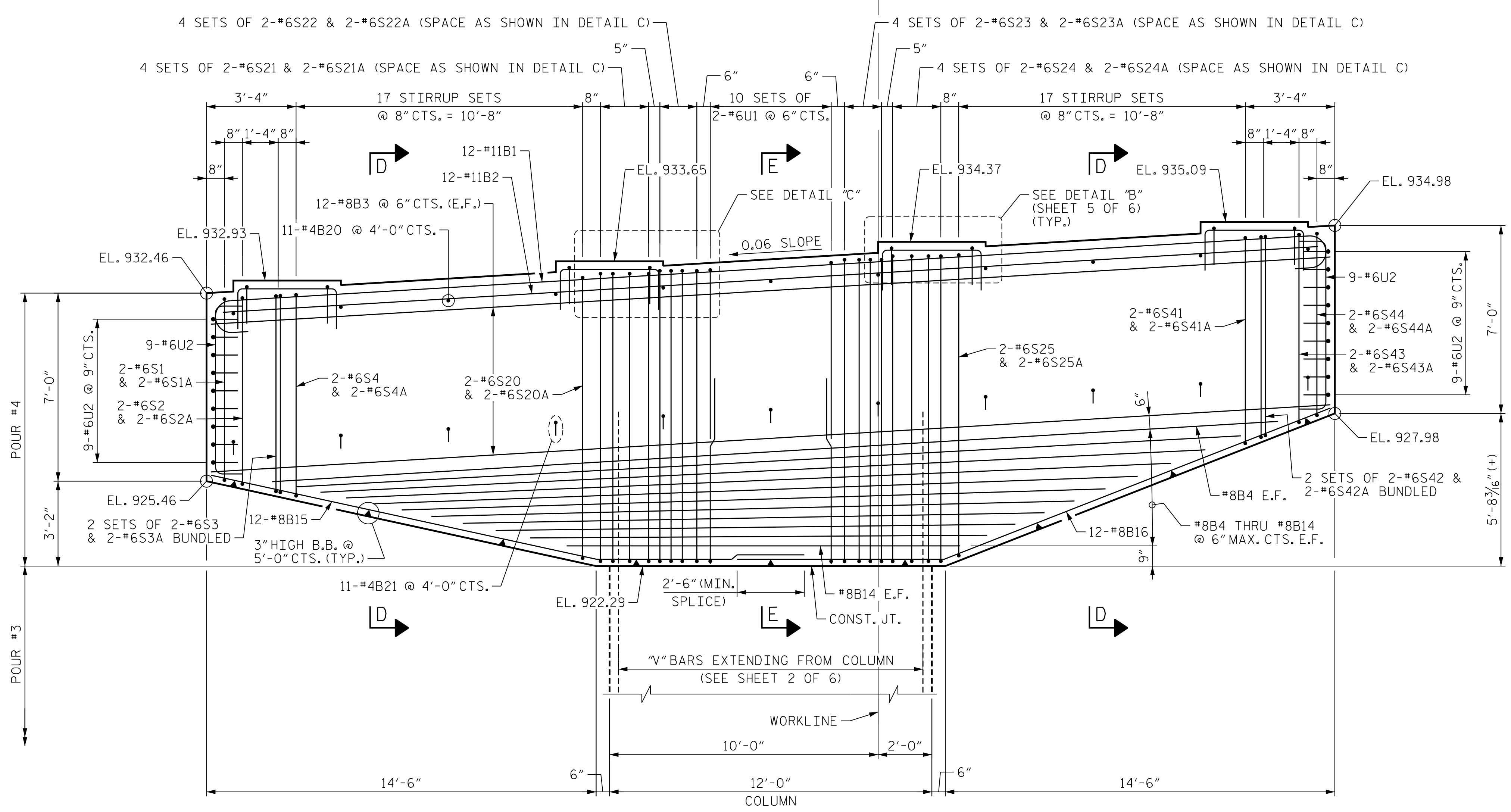
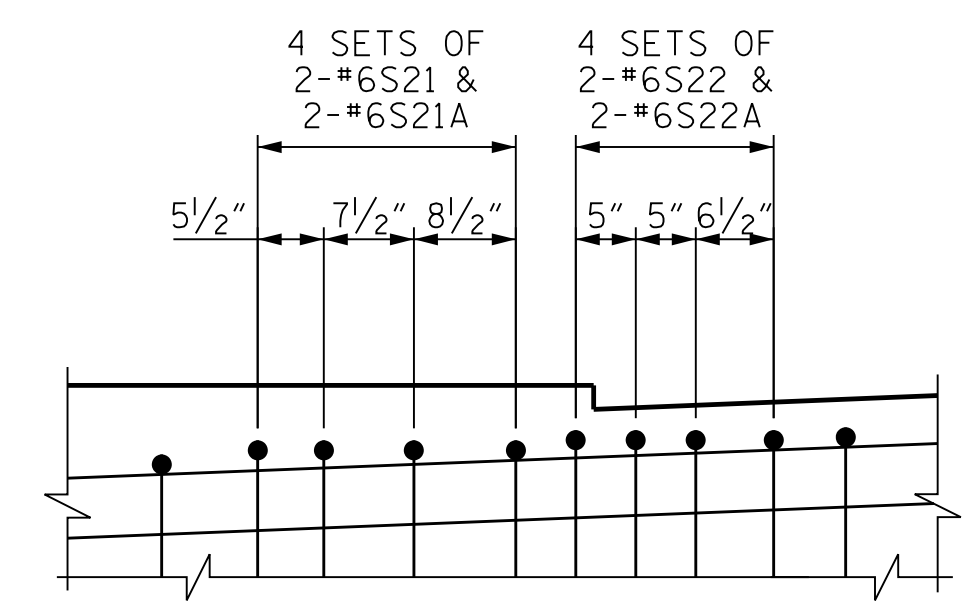
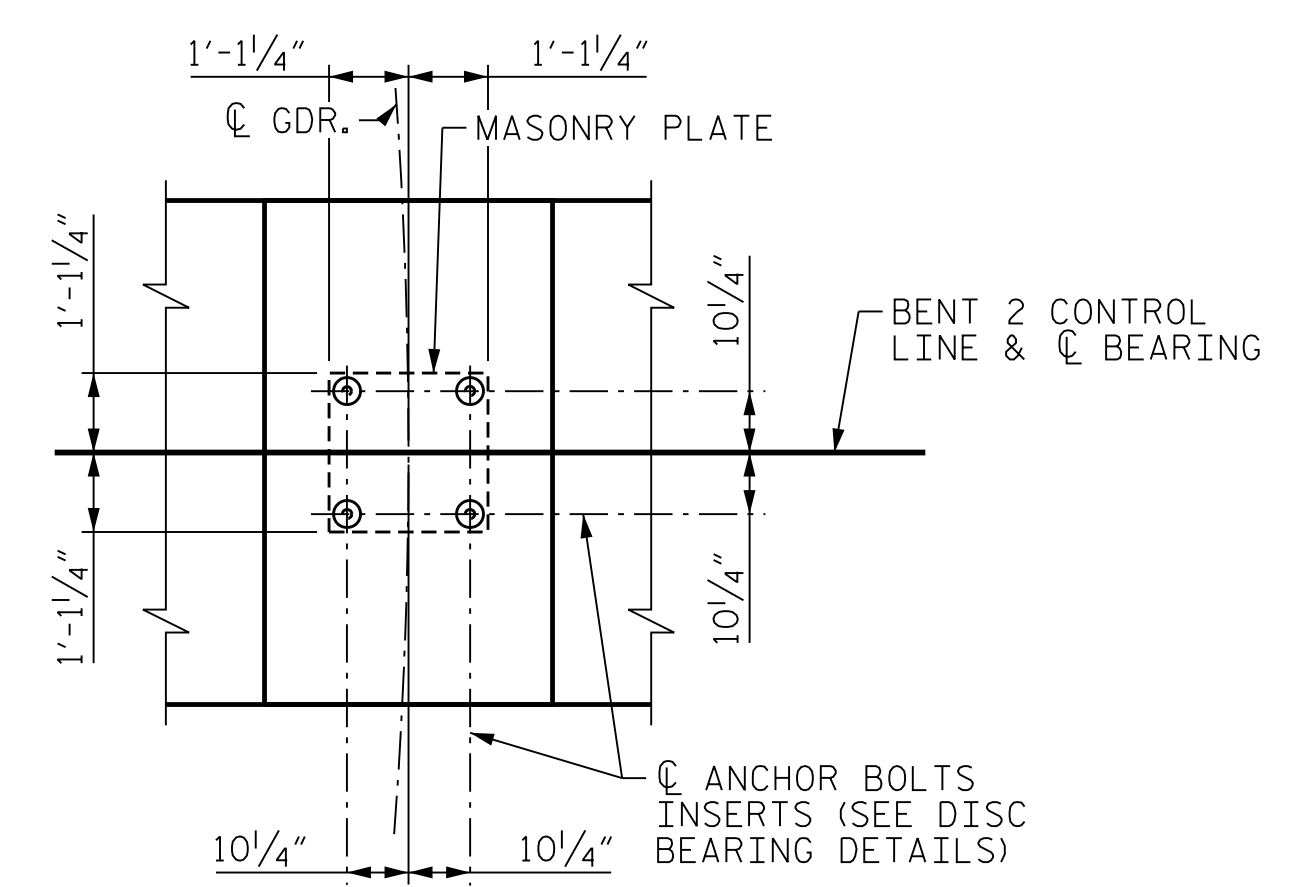
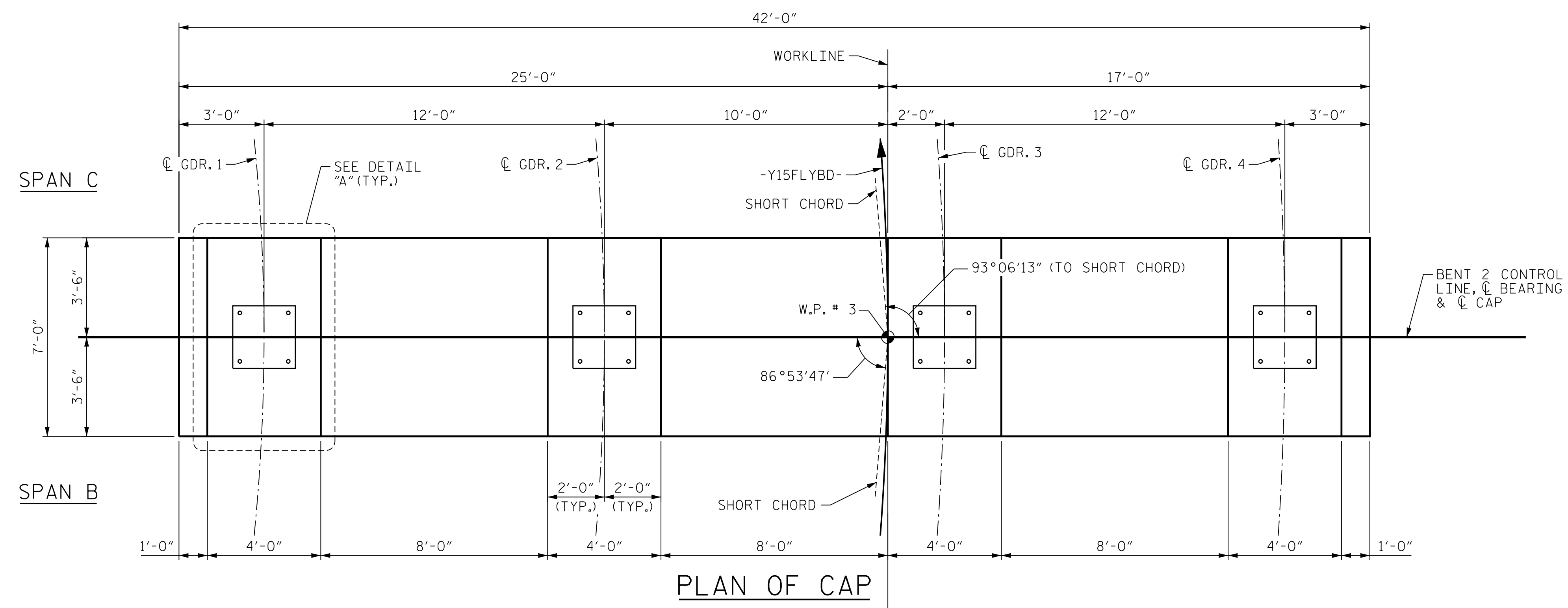
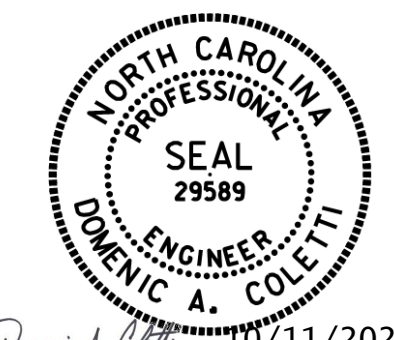


NOTES
FOR SECTIONS D-D AND E-E, SEE "SUBSTRUCTURE BENT 2 BENT CAP DETAILS", SHEET 5 OF 6.
FOR ADDITIONAL NOTES, SEE SHEETS 1 AND 2 OF 6.



PROJECT NO. U-2579AB
FORSYTH COUNTY
STATION: 47+63.62 -Y15FLYBD-
SHEET 4 OF 6



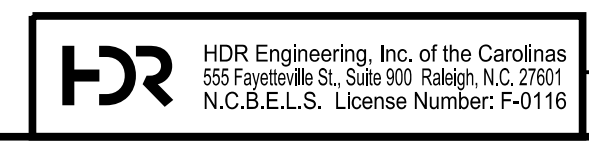
STATE OF NORTH CAROLINA
DEPARTMENT OF TRANSPORTATION
RALEIGH

**SUBSTRUCTURE
BENT 2
BENT CAP PLAN
AND ELEVATION**

REVISIONS					
NO.	BY:	DATE:	NO.	BY:	DATE:
1	--	--	3	--	--
2	--	--	4	--	--

SHEET NO. S05-083
TOTAL SHEETS 116

DES BY: <u>K. OLIVER</u>	DATE: <u>10/19</u>	DWG BY: <u>B. PETERSON</u>	DATE: <u>11/19</u>
DES CHK: <u>M. WERNER</u>	DATE: <u>10/19</u>	CHK BY: <u>N. LIU</u>	DATE: <u>12/19</u>



10/11/2021
DOCUMENT NOT CONSIDERED FINAL
UNLESS ALL SIGNATURES COMPLETED

PLOT DRIVER: NCDOT...
USER: PPETERSO
DATE: 10/11/2021
FILE: ...SUBSTR