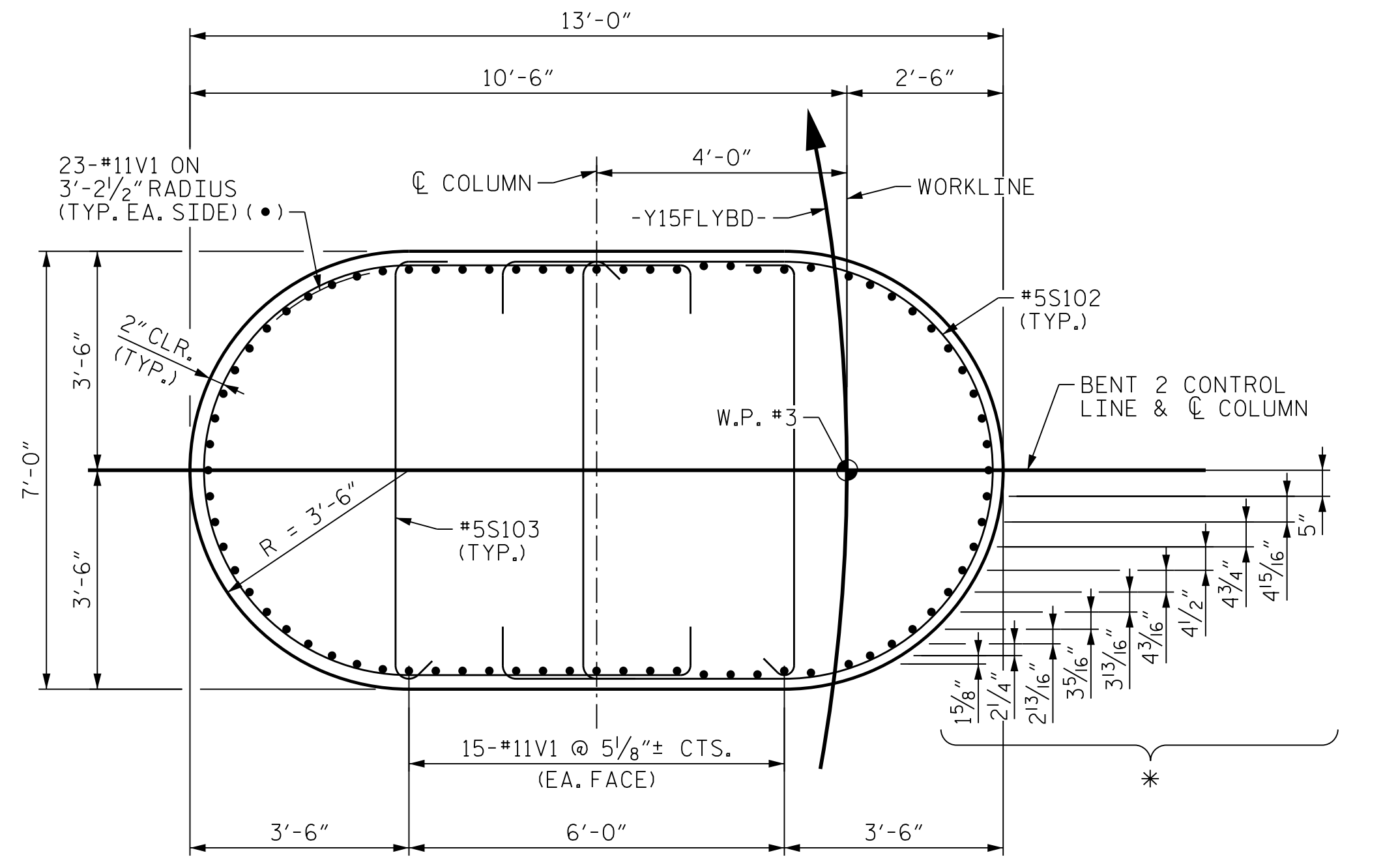
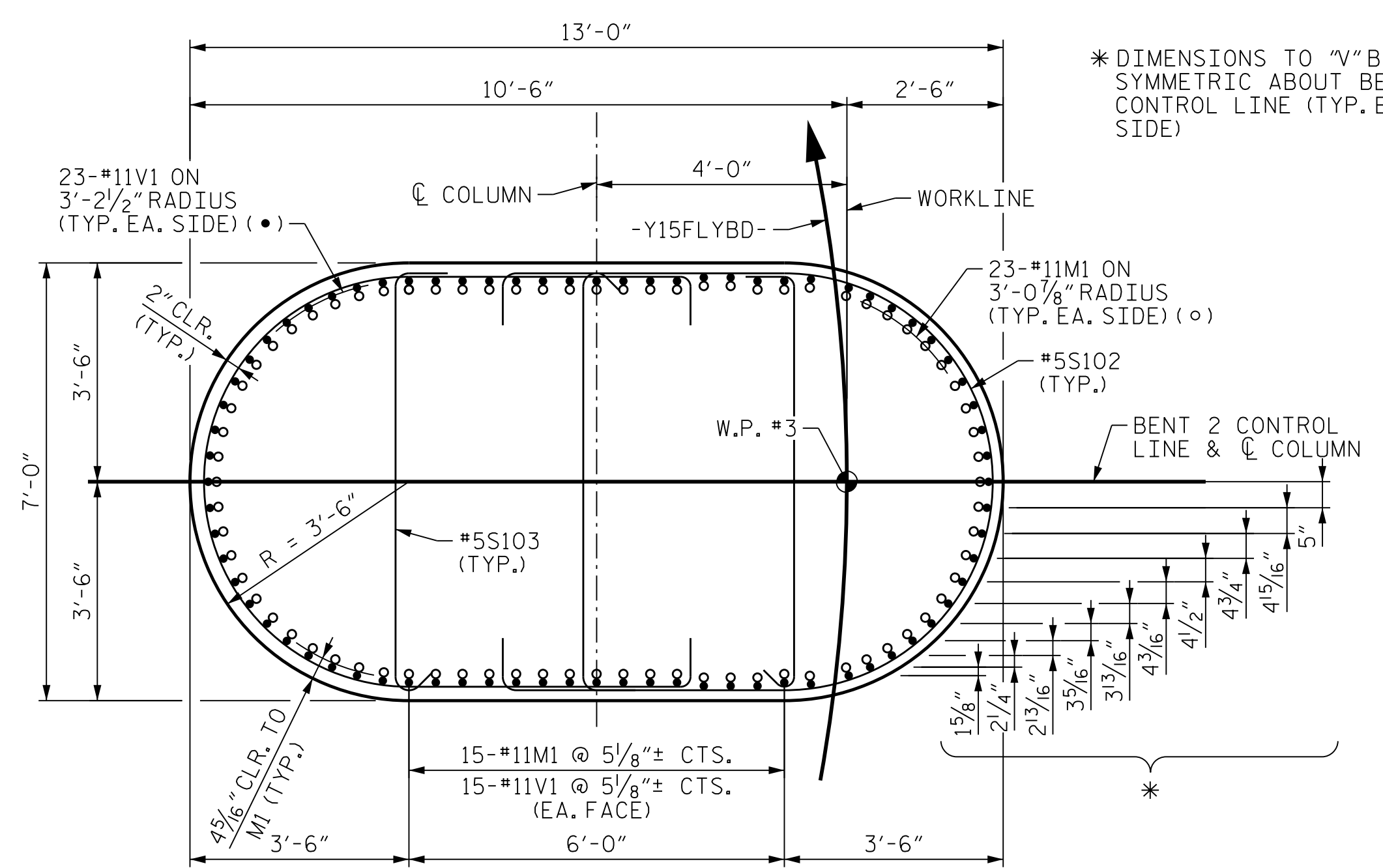


FOOTING PLAN

4-#6T7 PILE UPLIFT ANCHOR BARS ARE REQD. AT PILES INDICATED THUS: #



SECTION B-B



SECTION A-A

PROJECT NO. U-2579AB  
 FORSYTH COUNTY  
 STATION: 47+63.62 -Y15FLYBD-  
 SHEET 3 OF 6

NOTES  
 FOR ADDITIONAL NOTES, SEE "SUBSTRUCTURE BENT 1 ELEVATIONS", SHEET 1 OF 5.  
 FOR PILE UPLIFT ANCHOR DETAIL, SEE "SUBSTRUCTURE BENT 2 ELEVATIONS", SHEET 1 OF 6.

DES BY: K. OLIVER	DATE: 11/19	DWG BY: B. PETERSON	DATE: 11/19
DES CHK: N. LIU	DATE: 11/19	CHK BY: N. LIU	DATE: 12/19



10/11/2021



DOCUMENT NOT CONSIDERED FINAL UNLESS ALL SIGNATURES COMPLETED

REVISIONS					
NO.	BY:	DATE:	NO.	BY:	DATE:
1	--	--	3	--	--
2	--	--	4	--	--

SHEET NO. S05-082  
 TOTAL SHEETS 116