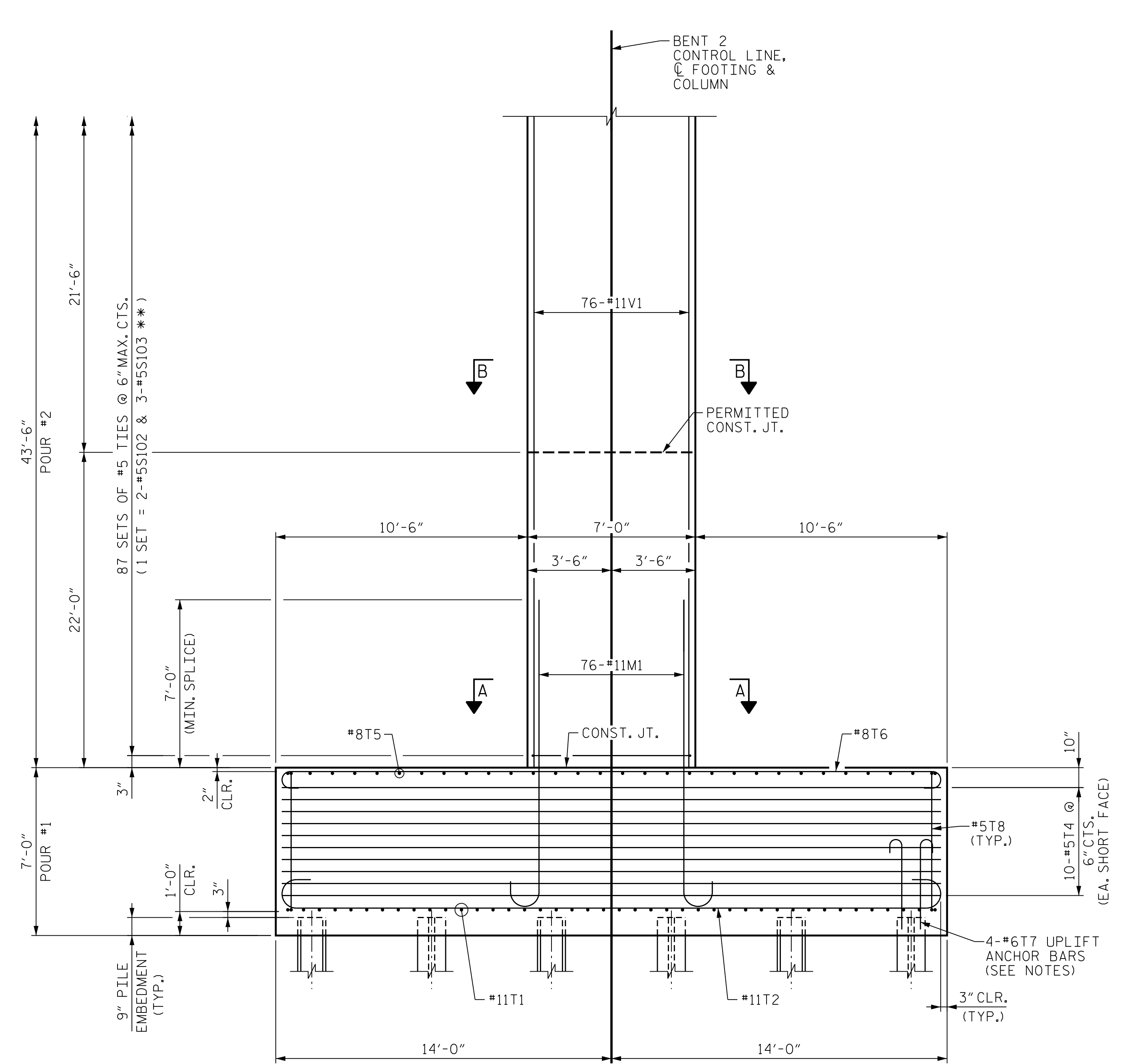
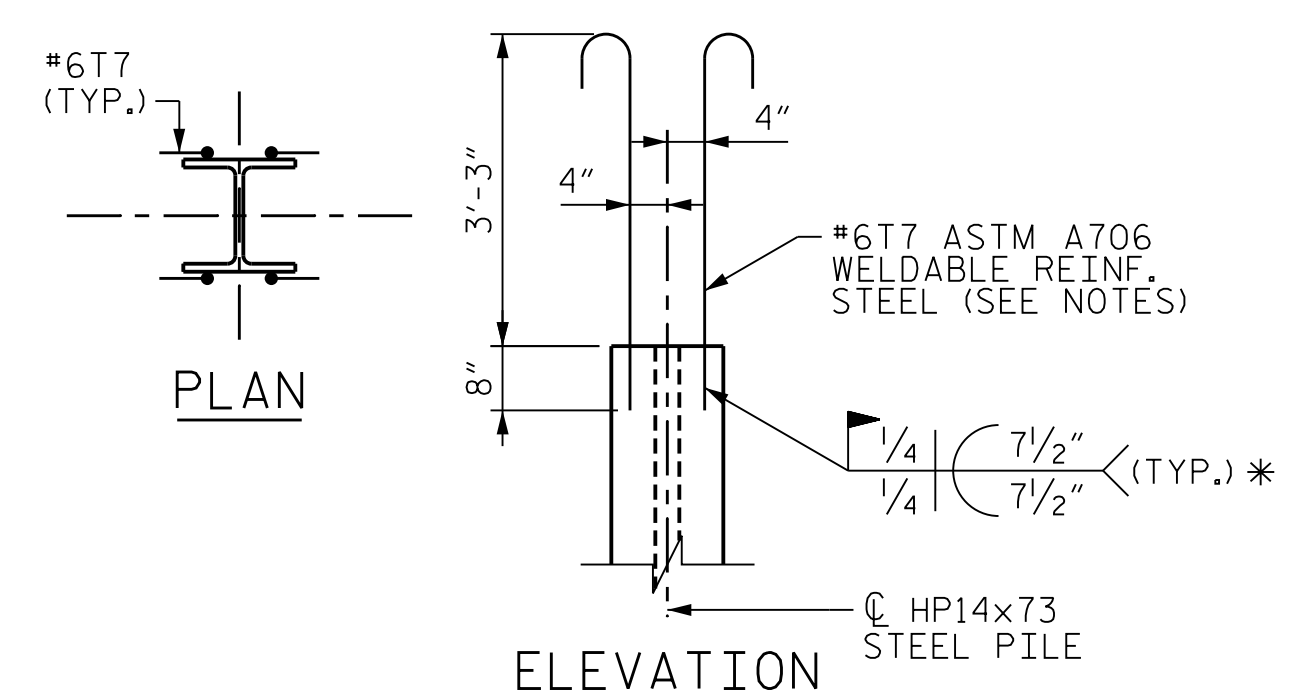


PARTIAL FRONT ELEVATION



PARTIAL END ELEVATION



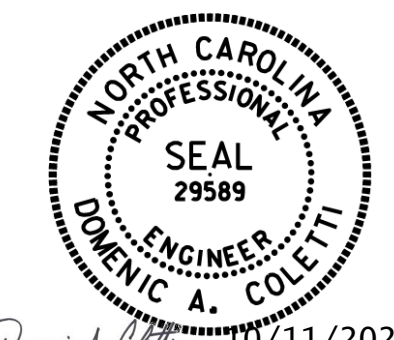
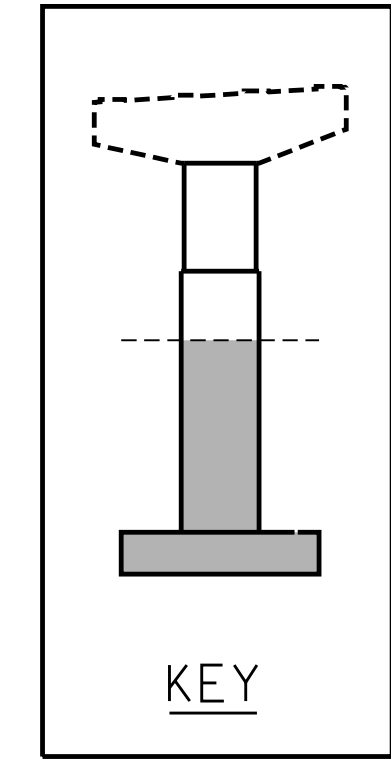
PILE UPLIFT ANCHOR DETAILS

(TYP. AT PILES NOTED THUS: # ON SUBSTRUCTURE FOOTING & COLUMN DETAILS SHEET)

** INVERT ORIENTATION OF ALTERNATE #5S103 TIES

NOTES

FOR FOOTING PLAN, SECTION A-A AND SECTION B-B, SEE "SUBSTRUCTURE BENT 2 FOOTING & COLUMN DETAILS", SHEET 3 OF 6.
 FOR ADDITIONAL NOTES, SEE "SUBSTRUCTURE BENT 1 ELEVATIONS", SHEET 1 OF 5.
 4-#6T7 UPLIFT ANCHOR BARS AT NOTED PILES - SEE "SUBSTRUCTURE BENT 2 FOOTING & COLUMN DETAILS", SHEET 3 OF 6 FOR LOCATIONS.



PROJECT NO. U-2579AB
 FORSYTH COUNTY
 STATION: 47+63.62 -Y15FLYBD-
 SHEET 1 OF 6

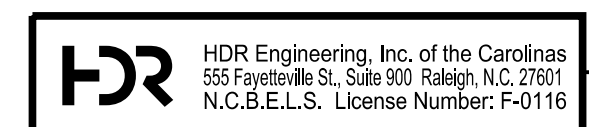
STATE OF NORTH CAROLINA
 DEPARTMENT OF TRANSPORTATION
 RALEIGH

SUBSTRUCTURE BENT 2 ELEVATIONS

REVISIONS						SHEET NO. S05-080 TOTAL SHEETS 116
NO.	BY:	DATE:	NO.	BY:	DATE:	
1	--	--	3	--	--	
2	--	--	4	--	--	

PLOT DRIVER: NCDOT...
 USER: PPETERSO...
 FILE: ...SUBSTR...

DES BY: <u>K. OLIVER</u>	DATE: <u>11/19</u>	DWG BY: <u>B. PETERSON</u>	DATE: <u>11/19</u>
DES CHK: <u>N. LIU</u>	DATE: <u>11/19</u>	CHK BY: <u>N. LIU</u>	DATE: <u>12/19</u>



DOCUMENT NOT CONSIDERED FINAL UNLESS ALL SIGNATURES COMPLETED