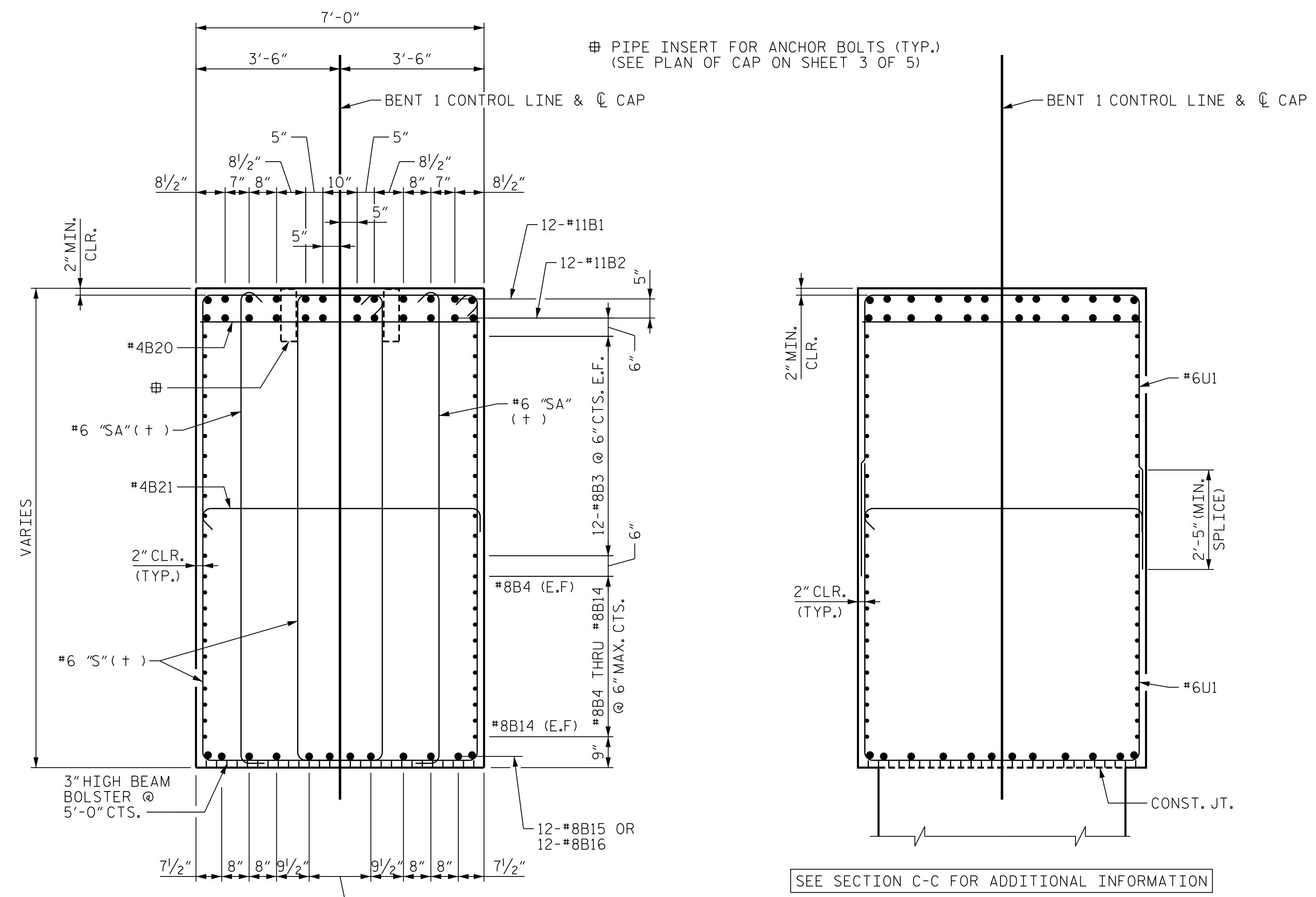


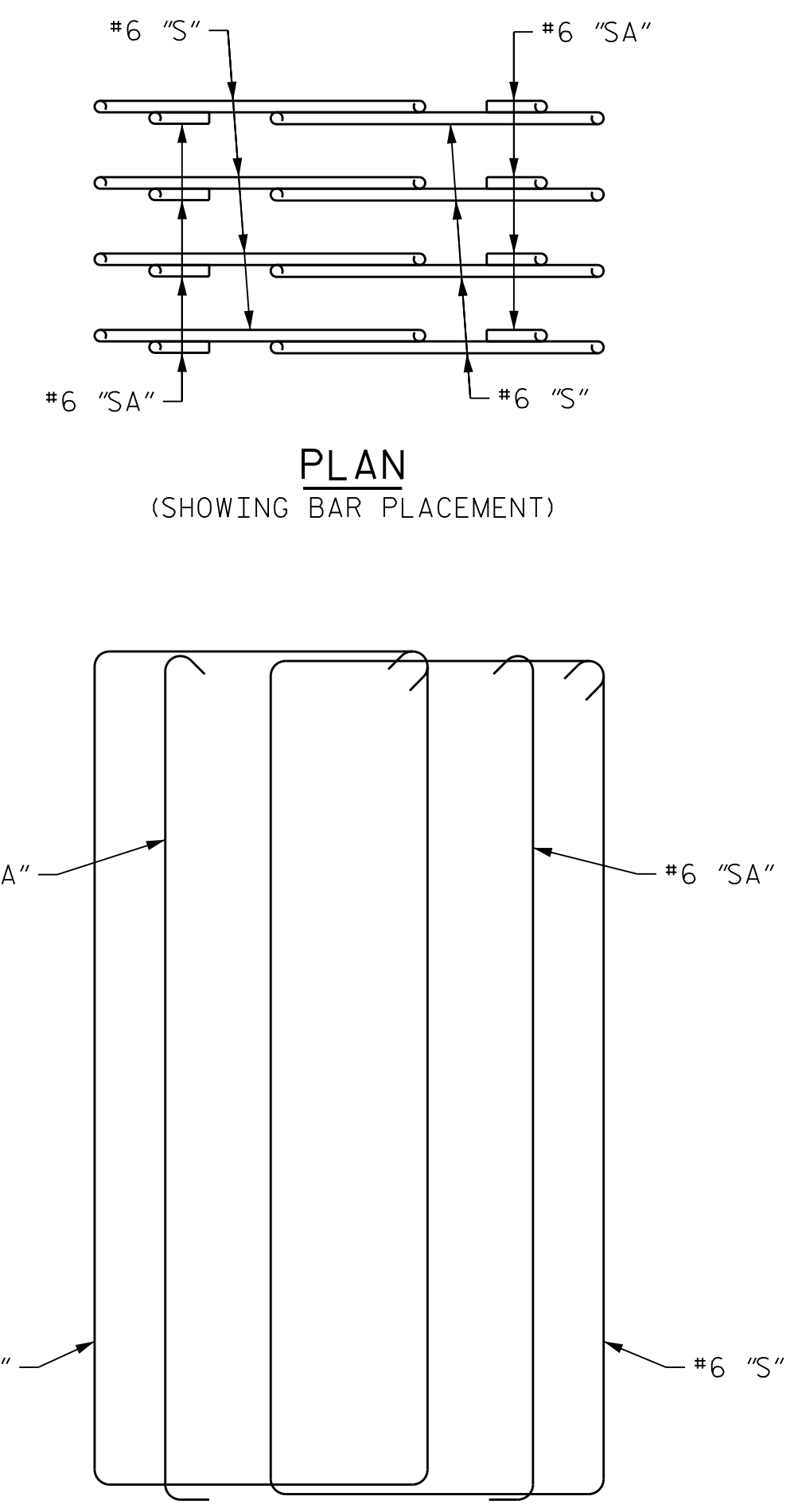
NOTE  
SEE SHEET 1 OF 5 FOR NOTES.



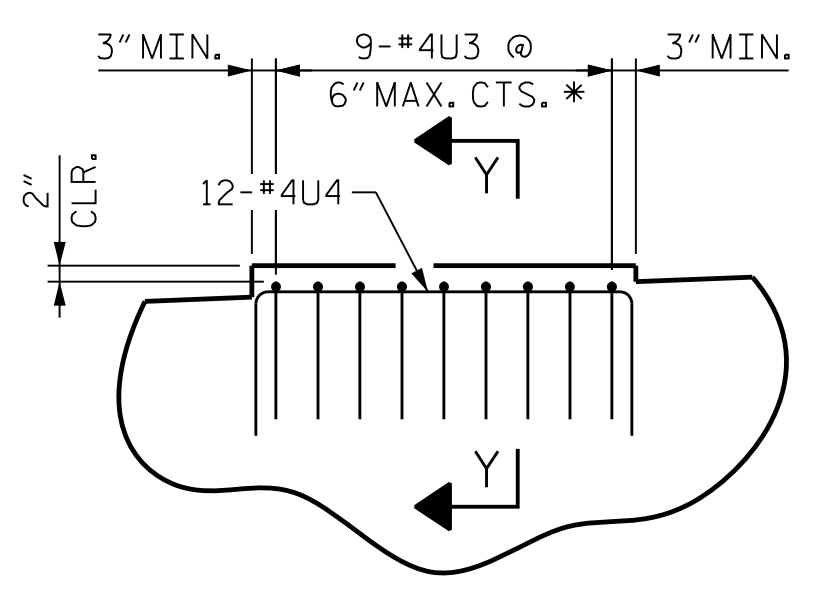
SECTION C-C  
(+) SEE "STIRRUP SET DETAIL"

SEE SECTION C-C FOR ADDITIONAL INFORMATION

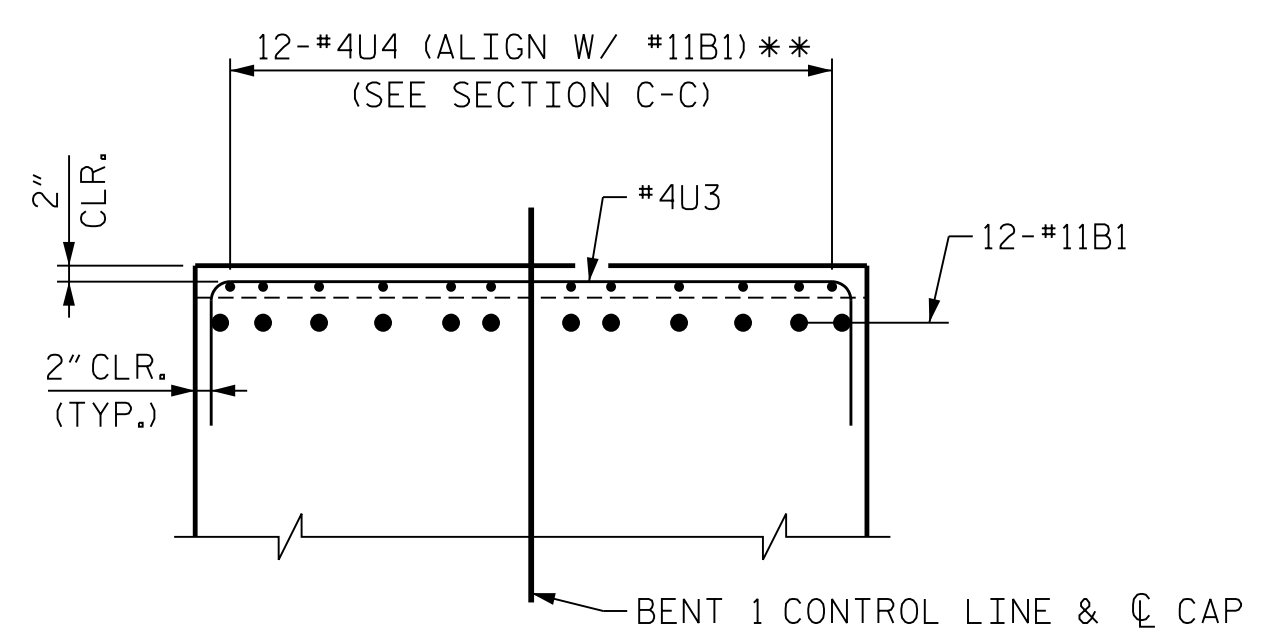
SECTION D-D  
COLUMN REINFORCING STEEL NOT SHOWN FOR CLARITY



ELEVATION (SCHEMATIC)  
STIRRUP SET DETAIL



DETAIL "B"



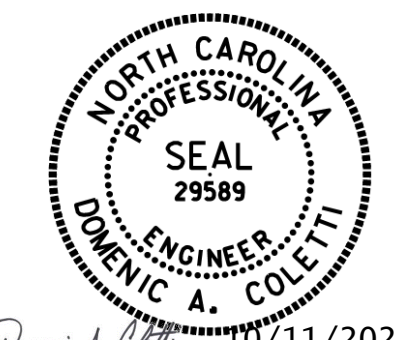
SECTION Y-Y

\* NOTE:  
#4U3 BARS MAY BE SHIFTED SLIGHTLY AS NECESSARY TO CLEAR PIPE INSERTS FOR ANCHOR BOLTS.  
\*\* NOTE:  
#4U4 BARS MAY BE SHIFTED AS NECESSARY TO CLEAR #11B1 AND #11B2 BARS.

PROJECT NO. U-2579AB  
FORSYTH COUNTY  
STATION: 47+63.62 -Y15FLYBD-  
SHEET 4 OF 5

STATE OF NORTH CAROLINA  
DEPARTMENT OF TRANSPORTATION  
RALEIGH

SUBSTRUCTURE  
BENT 1  
BENT CAP DETAILS



10/11/2021

PLOT DRIVER: NCDOT... PENTABLE: NCDOT STRUCTURES DEFAULT PEN.tbl  
USER: PPETERSO DATE: 10/11/2021  
FILE: ...SUBSTR

DES BY: K. OLIVER	DATE: 10/19	DWG BY: B. PETERSON	DATE: 11/19
DES CHK: M. WERNER	DATE: 10/19	CHK BY: N. LIU	DATE: 12/19

HDR Engineering, Inc. of the Carolinas  
555 Fayetteville St., Suite 900 Raleigh, N.C. 27601  
N.C.B.E.L.S. License Number: F-0116

DOCUMENT NOT CONSIDERED FINAL  
UNLESS ALL SIGNATURES COMPLETED

REVISIONS						SHEET NO. S05-078 TOTAL SHEETS 116
NO.	BY:	DATE:	NO.	BY:	DATE:	
1	--	--	3	--	--	
2	--	--	4	--	--	