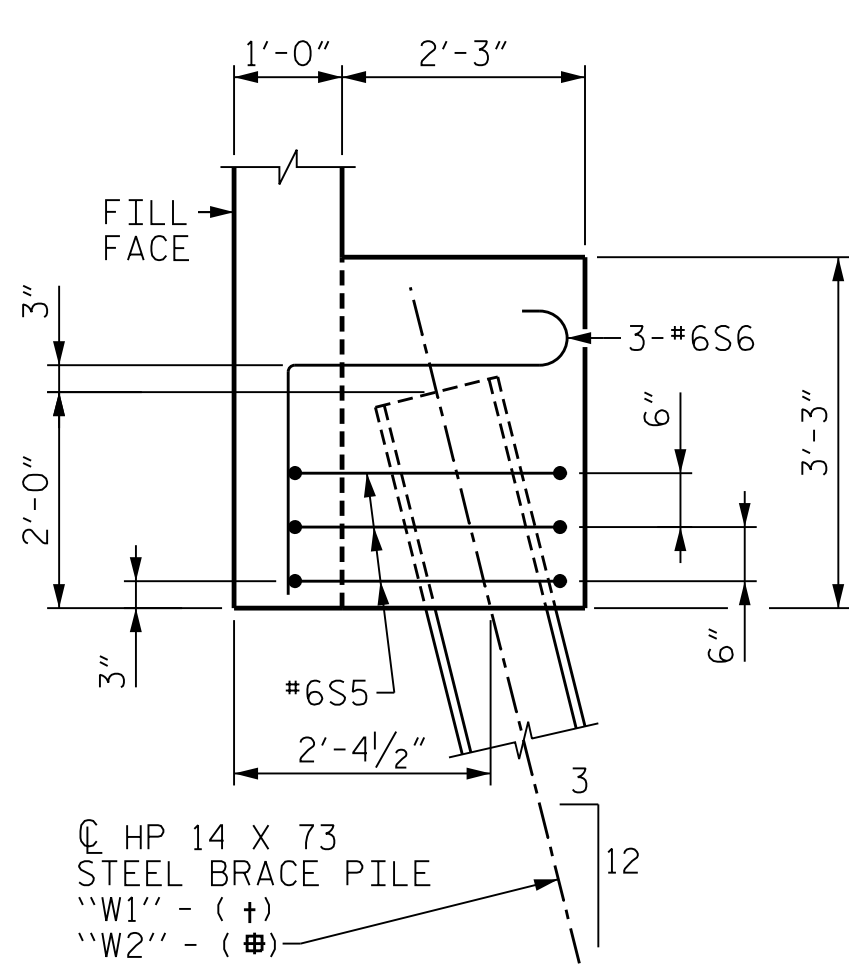
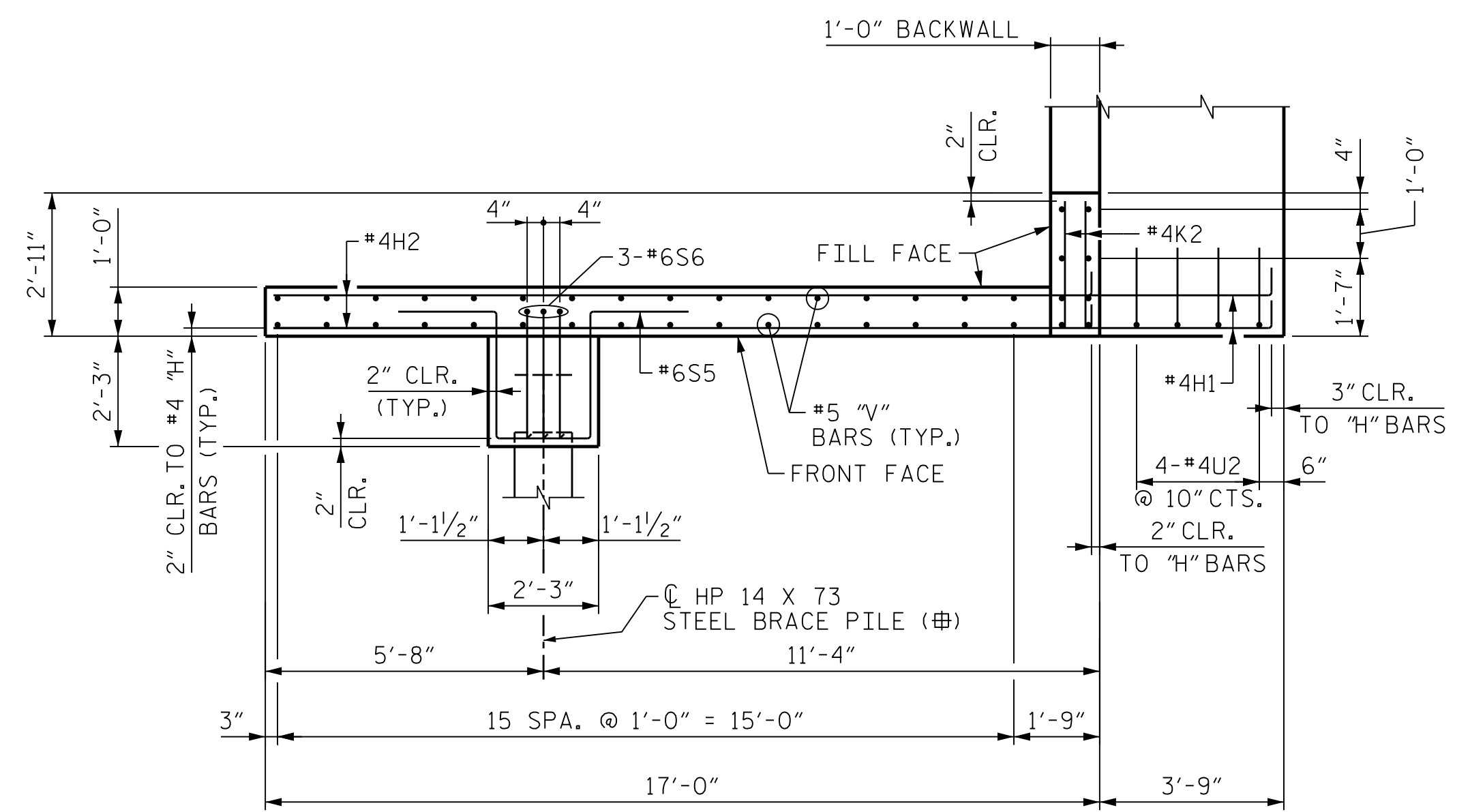


PLAN - WINGWALL "W1"

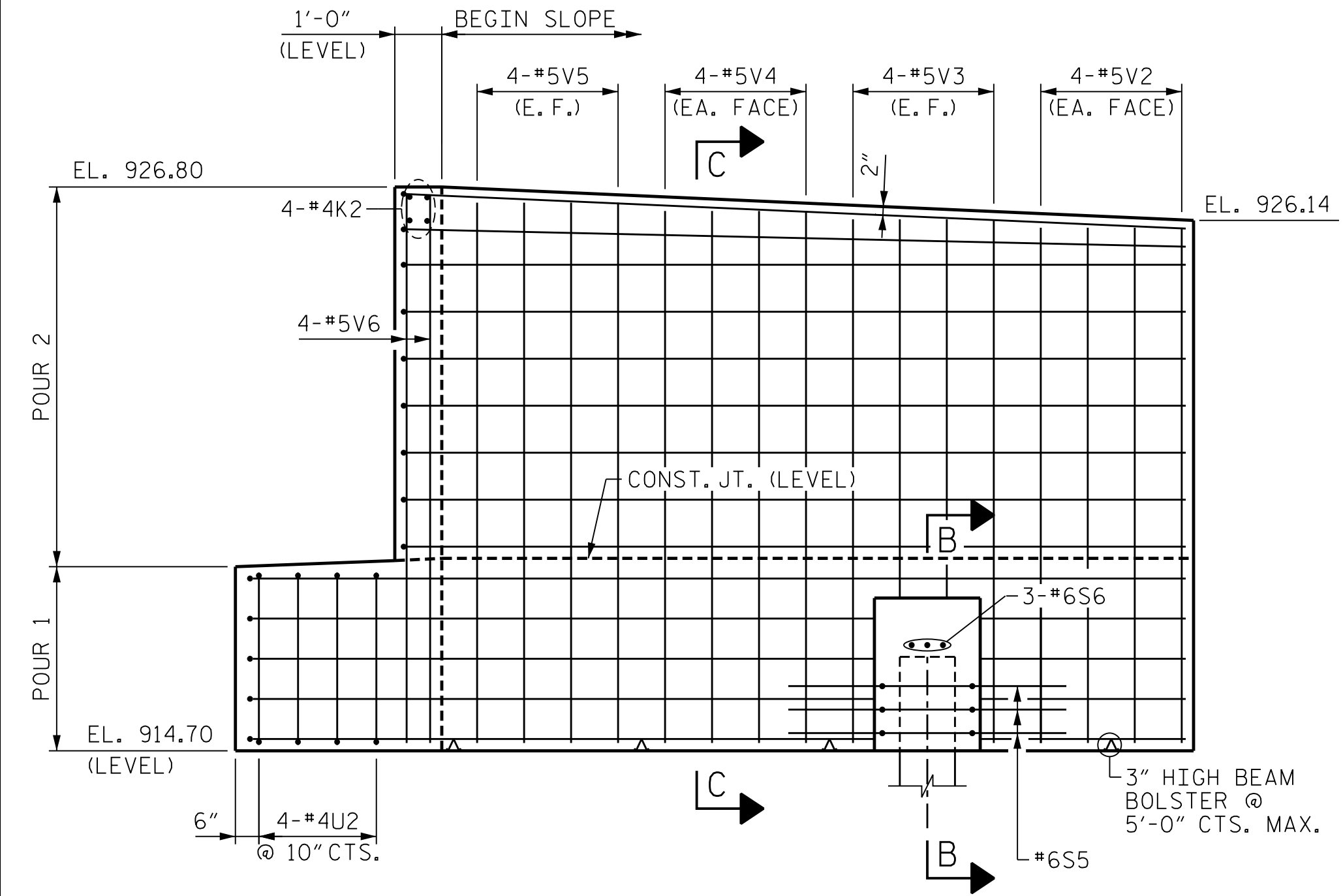


SECTION B-B

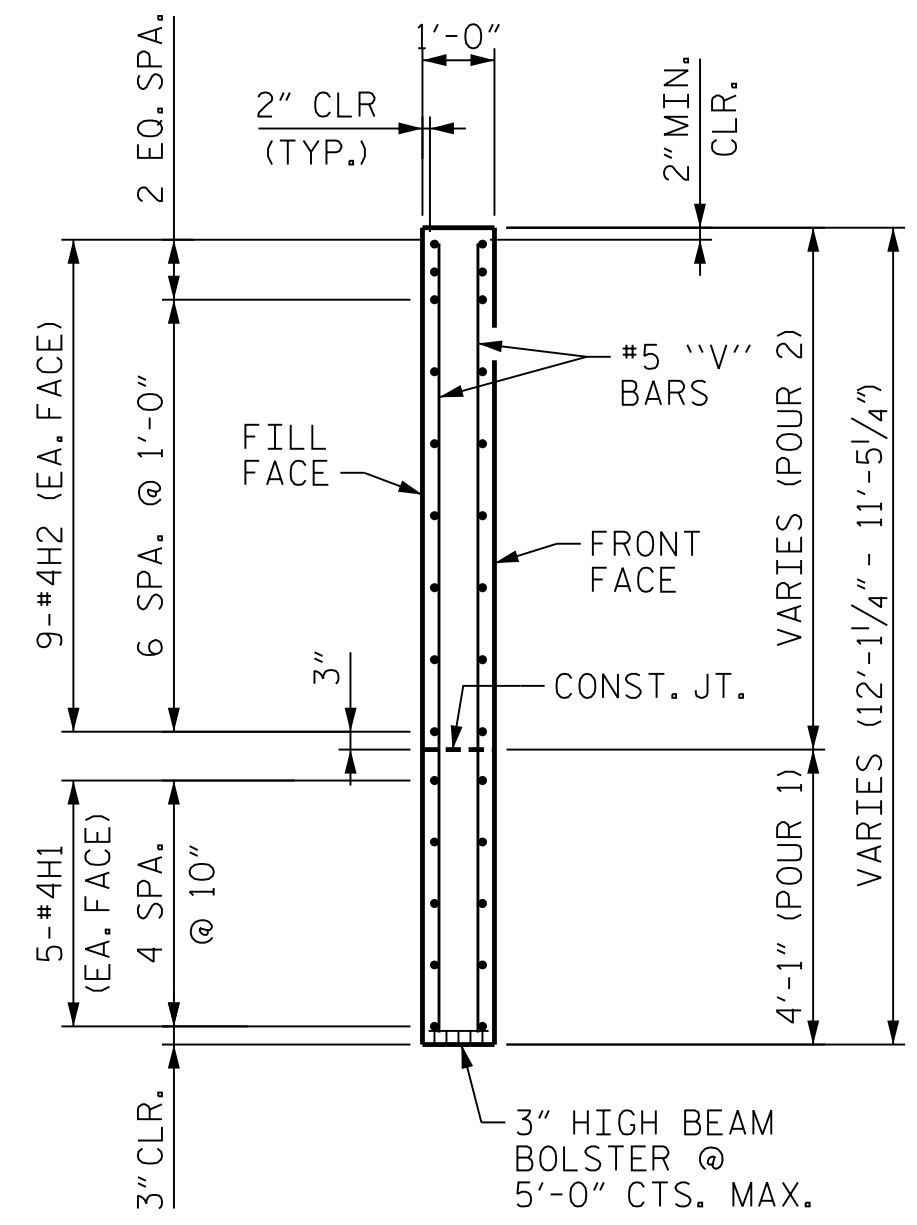
† = PILE CUTOFF ELEVATION 916.70
 # = PILE CUTOFF ELEVATION 919.65



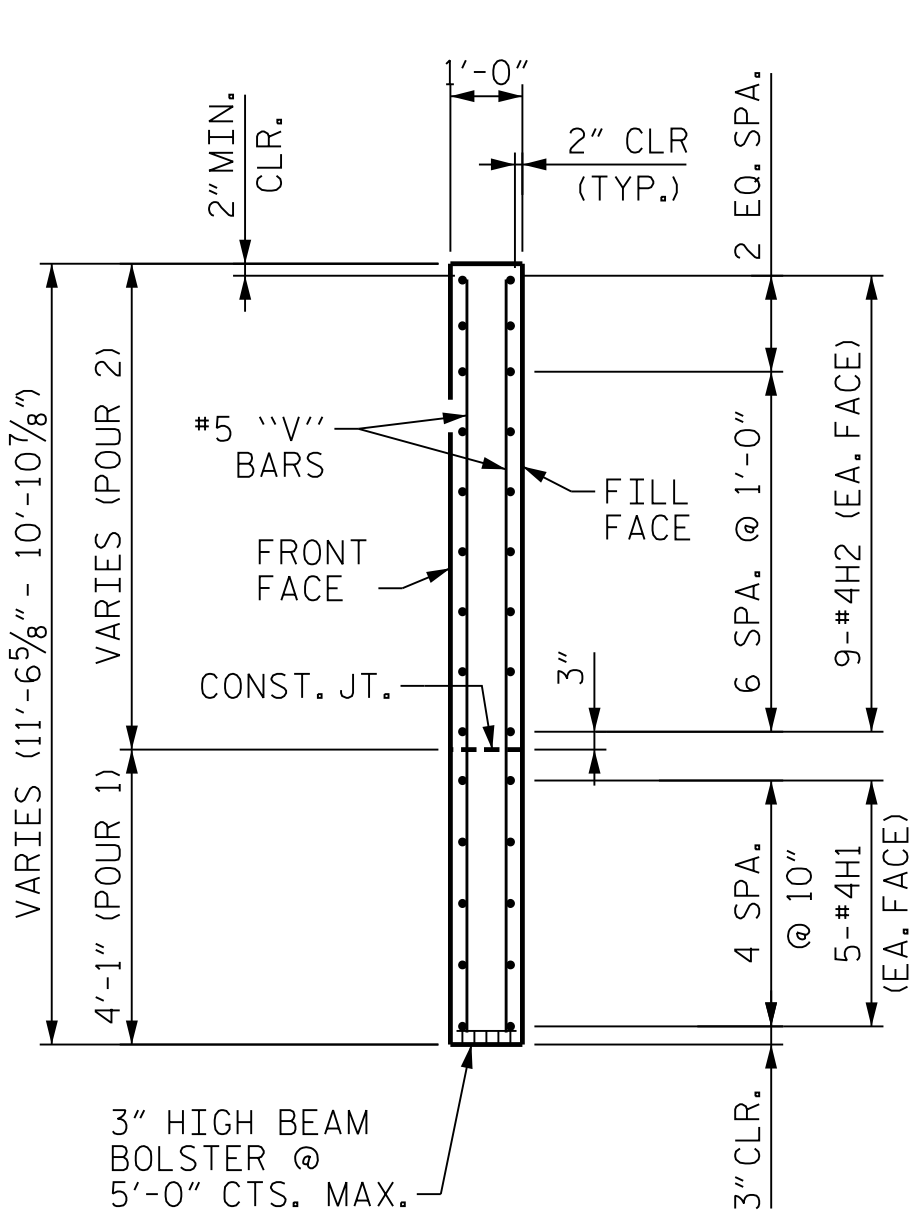
PLAN - WINGWALL "W2"



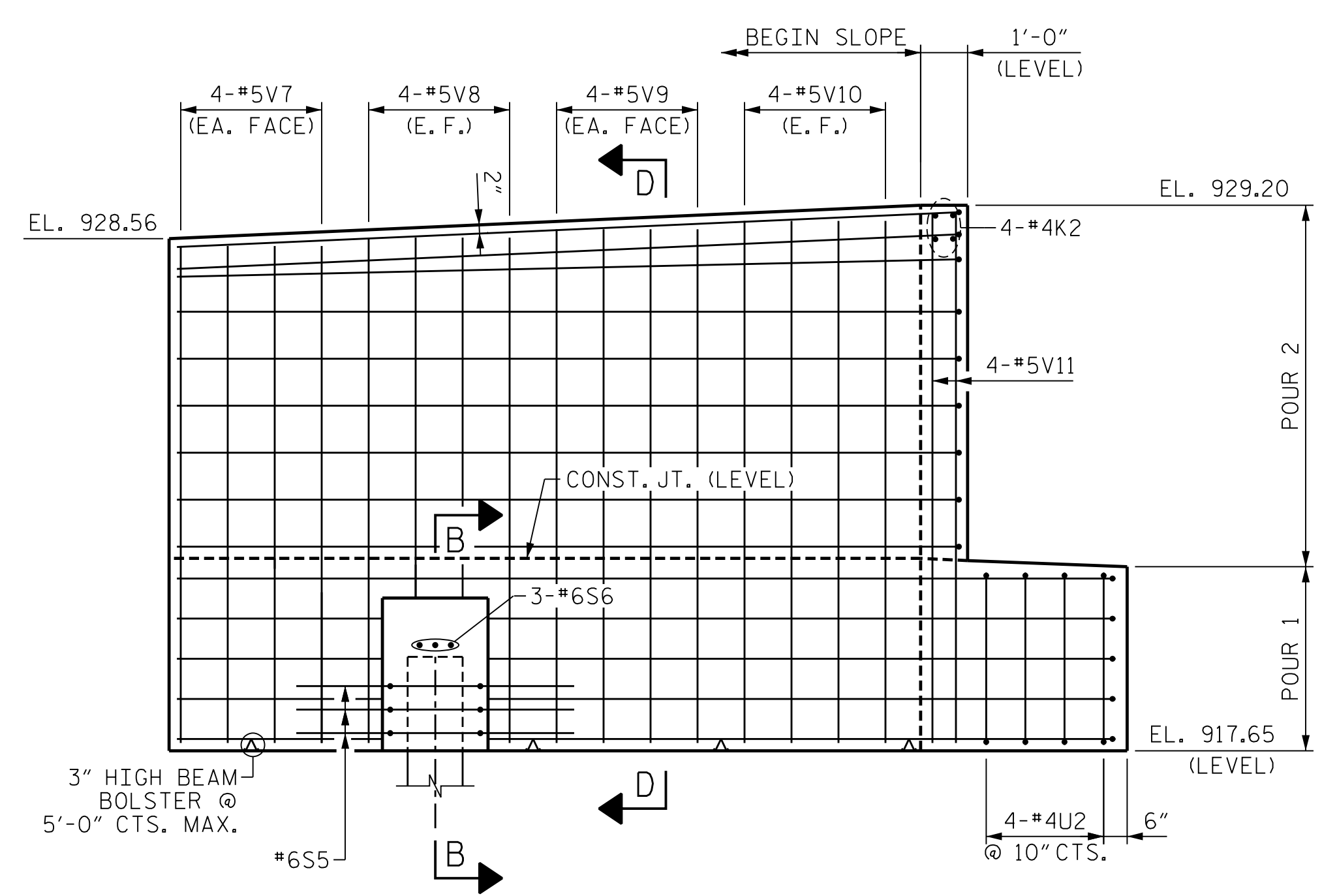
ELEVATION - WINGWALL "W1"



SECTION C-C



SECTION D-D

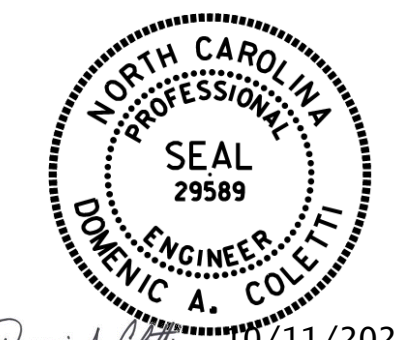


ELEVATION - WINGWALL "W2"

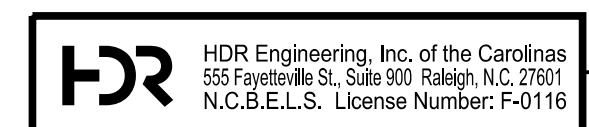
PROJECT NO. U-2579AB
 FORSYTH COUNTY
 STATION: 47+63.62 -Y15FLYBD-
 SHEET 2 OF 3

STATE OF NORTH CAROLINA
 DEPARTMENT OF TRANSPORTATION
 RALEIGH

SUBSTRUCTURE
 END BENT 1
 WING DETAILS



REVISIONS					
NO.	BY:	DATE:	NO.	BY:	DATE:
1	--	--	3	--	--
2	--	--	4	--	--



DOCUMENT NOT CONSIDERED FINAL
 UNLESS ALL SIGNATURES COMPLETED

DES BY: A. ZEITOUNI	DATE: 07/19	DWG BY: B. PETERSON	DATE: 07/19
DES CHK: J. EARNEST	DATE: 07/19	CHK BY: J. EARNEST	DATE: 08/19

PLOT DRIVER: NCDOT...
 USER: PPETERSO...
 DATE: 10/11/2021
 FILE: ...SUBSTR