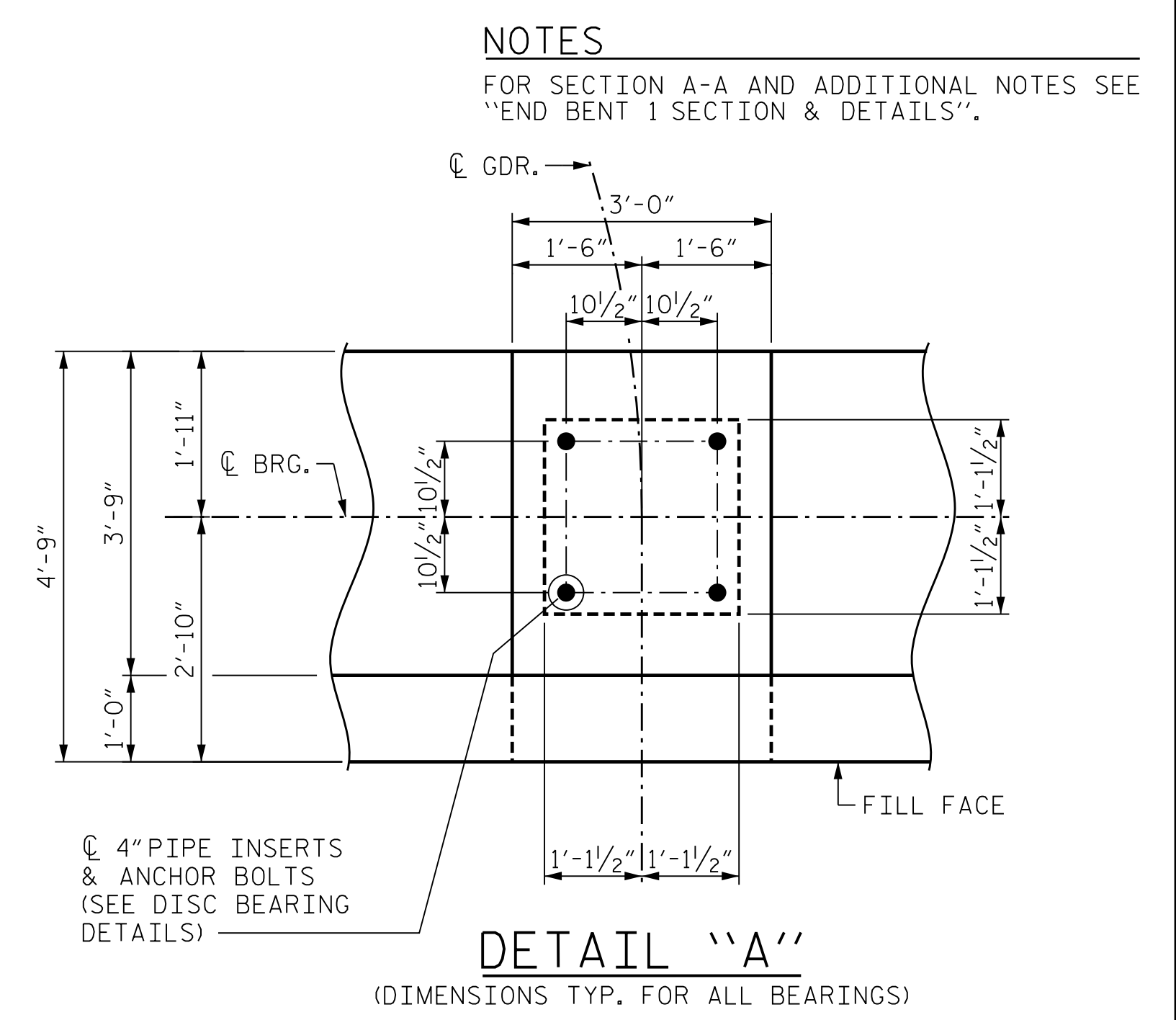


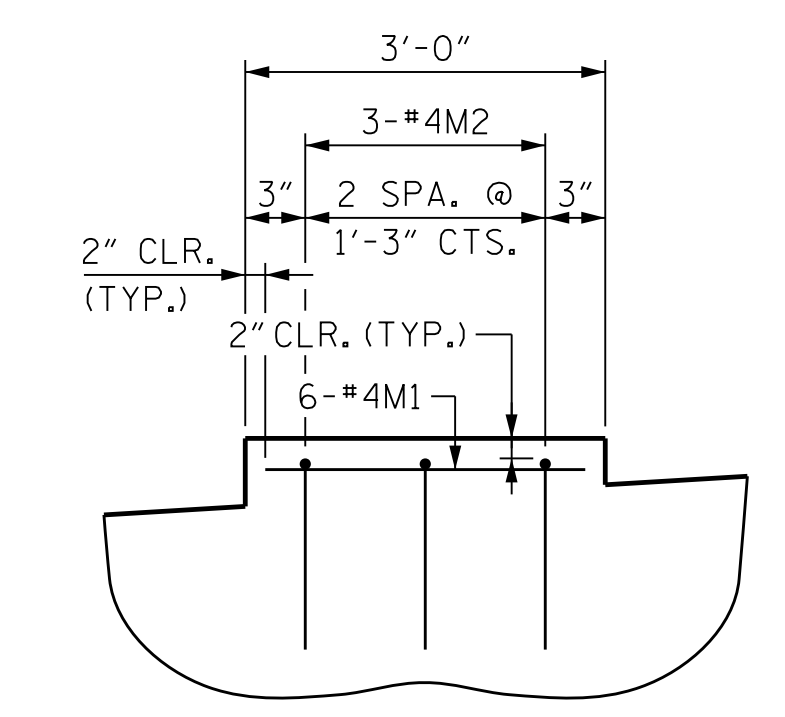
PLAN

† = THE CONCRETE IN THE SHADED AREA OF THE WING SHALL BE POURED AFTER THE BARRIER RAILS ARE CAST IF SLIP FORMING IS USED.



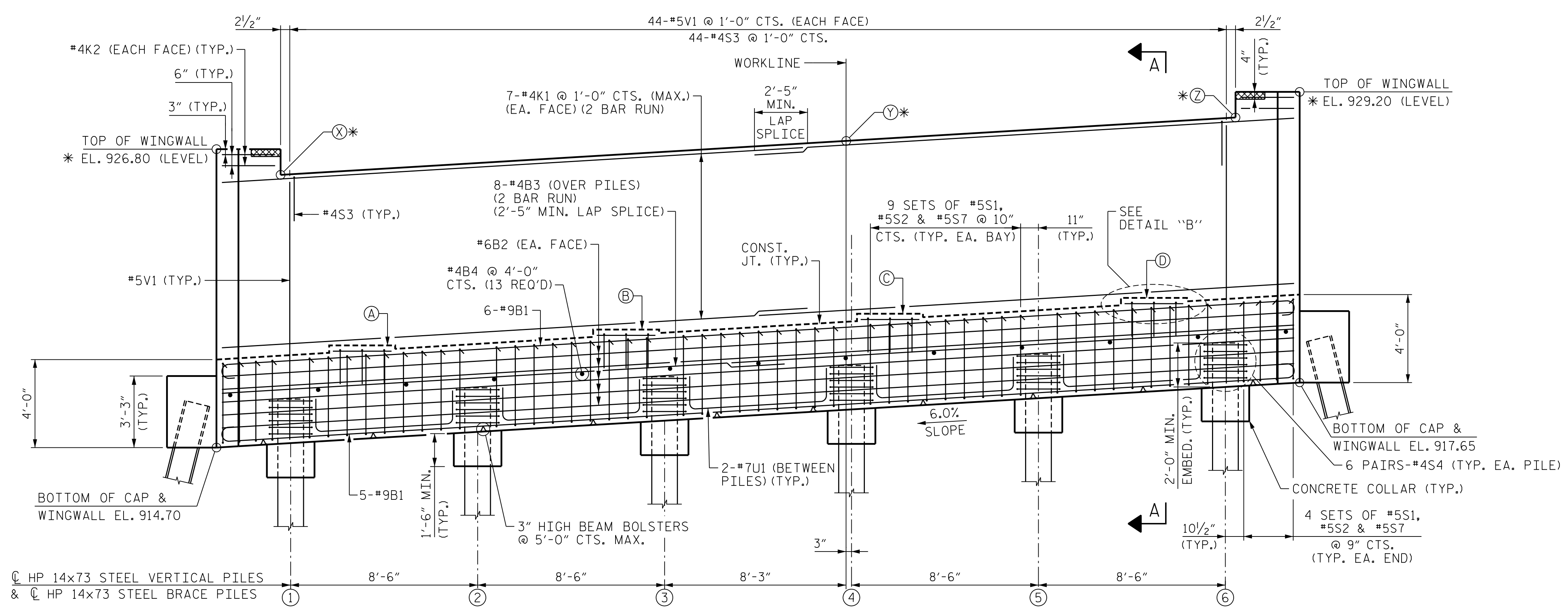
DETAIL "A"

(DIMENSIONS TYP. FOR ALL BEARINGS)



DETAIL "B"

(TYP. FOR ALL GIRDERS)

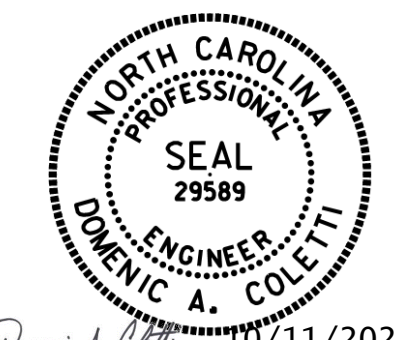


ELEVATION

ELEVATION TABLE	
LOCATION	ELEVATION
A	919.35
B	920.07
C	920.79
D	921.51
* X	925.04
* Y	926.58
* Z	927.63
* AT FILL FACE	

TOP OF PILE ELEVATIONS	
LOCATION	ELEVATION
1	916.94
2	917.45
3	917.96
4	918.47
5	918.98
6	919.49

PROJECT NO. U-2579AB  
 FORSYTH COUNTY  
 STATION: 47+63.62 -Y15FLYBD-  
 SHEET 1 OF 3



STATE OF NORTH CAROLINA  
 DEPARTMENT OF TRANSPORTATION  
 RALEIGH

**SUBSTRUCTURE  
 END BENT 1  
 PLAN AND ELEVATION**

REVISIONS					
NO.	BY:	DATE:	NO.	BY:	DATE:
1	--	--	3	--	--
2	--	--	4	--	--

PLOT DRIVER: NCDOT\_pdf\_color\_eng-50dpi  
 USER: PETERSON  
 DATE: 10/11/2021  
 TIME: 8:25:23 AM  
 FILE: ...SUBSTR

DES BY: A. ZEITOUNI DATE: 07/19  
 DES CHK: J. EARNEST DATE: 07/19  
 DWG BY: B. PETERSON DATE: 07/19  
 CHK BY: J. EARNEST DATE: 08/19



10/11/2021  
 DOCUMENT NOT CONSIDERED FINAL  
 UNLESS ALL SIGNATURES COMPLETED

SHEET NO. S05-072  
 TOTAL SHEETS 116