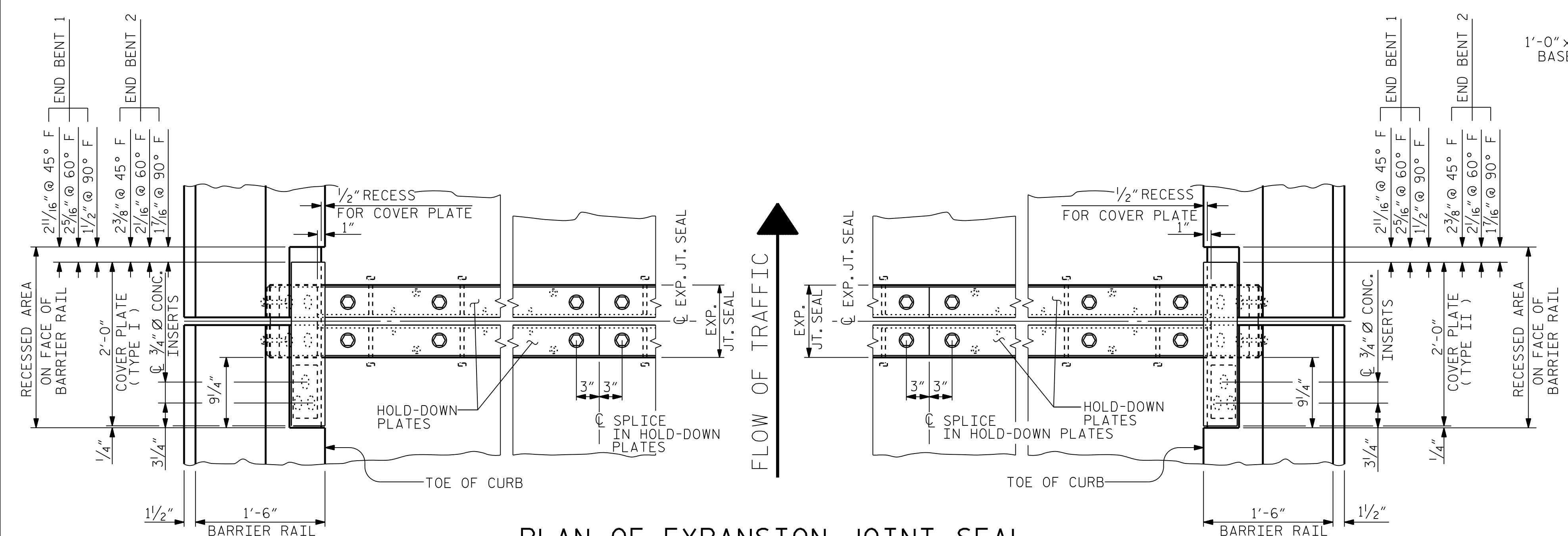
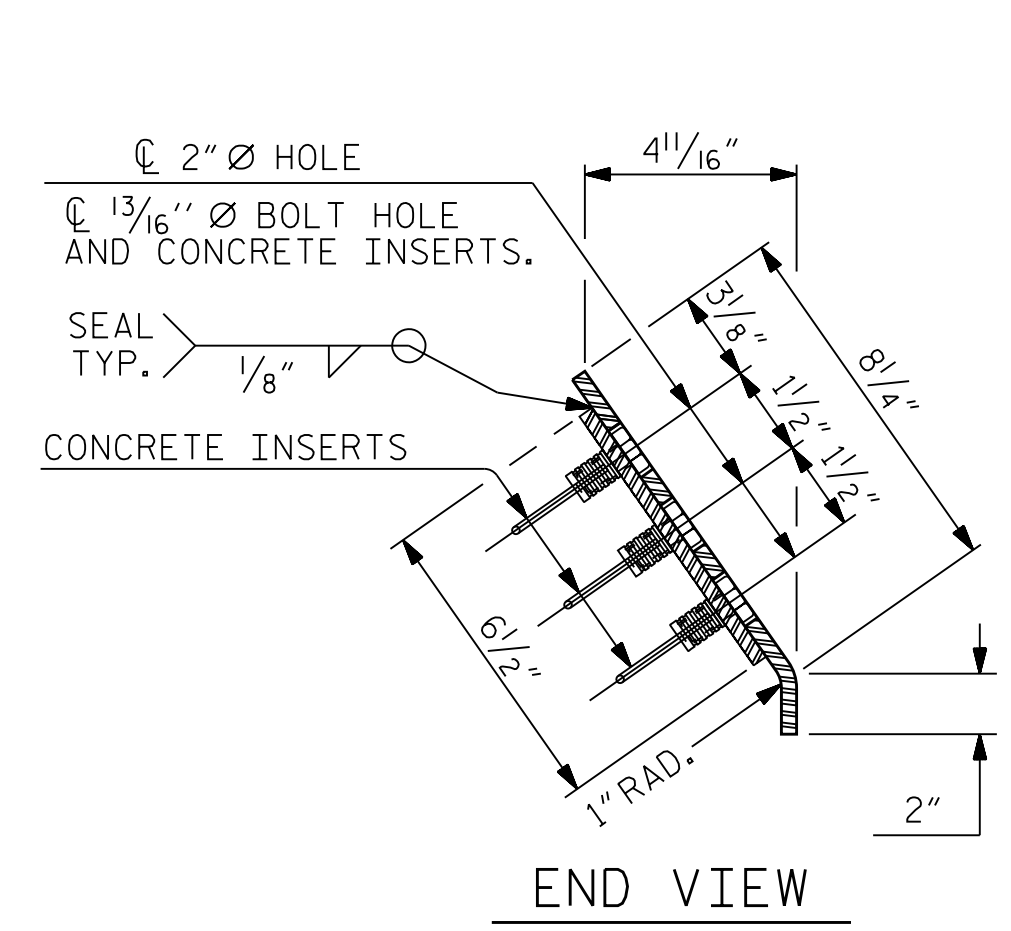


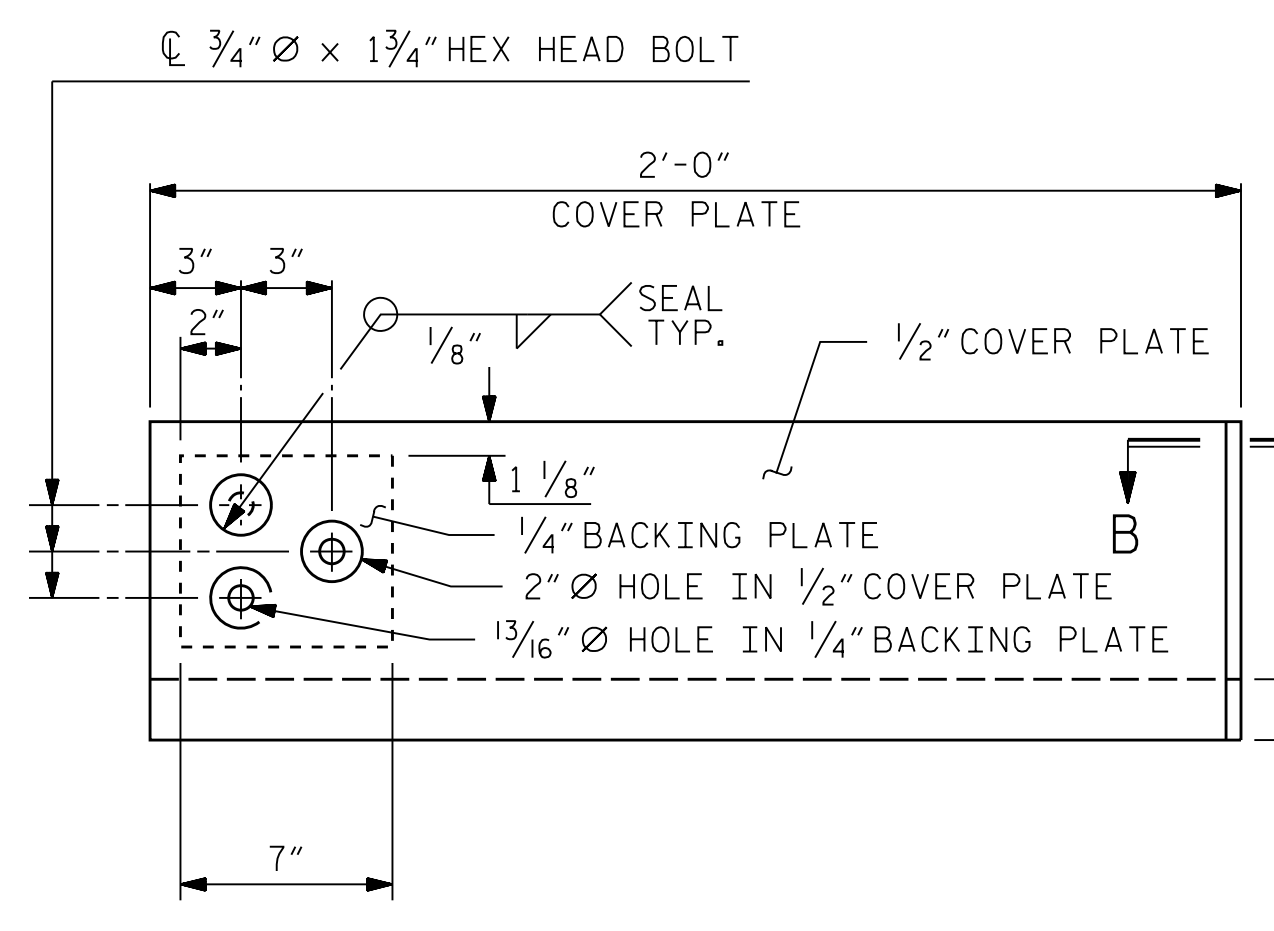
**SECTION THRU RAIL NORMAL TO JOINT**



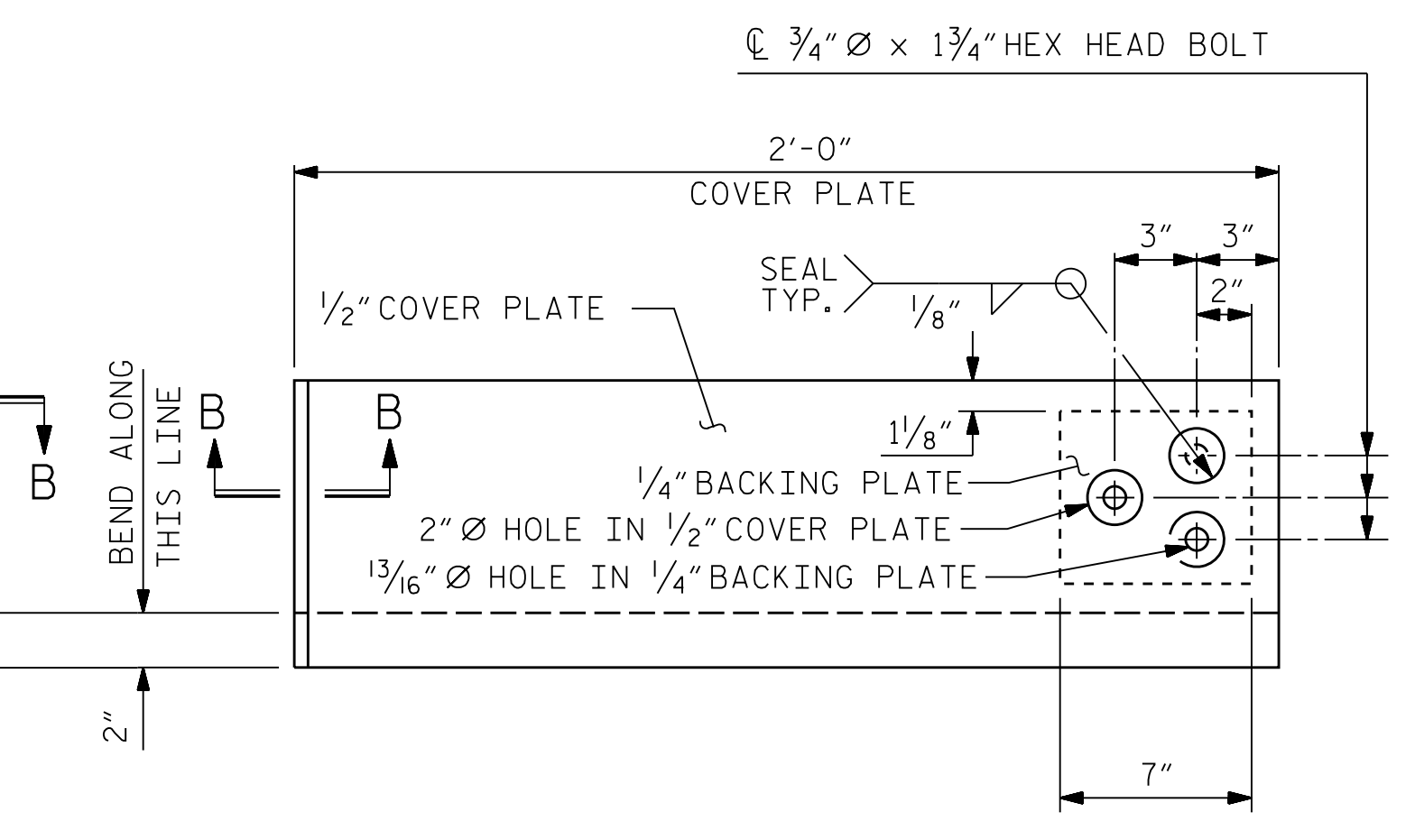
**PLAN OF EXPANSION JOINT SEAL**



**END VIEW**

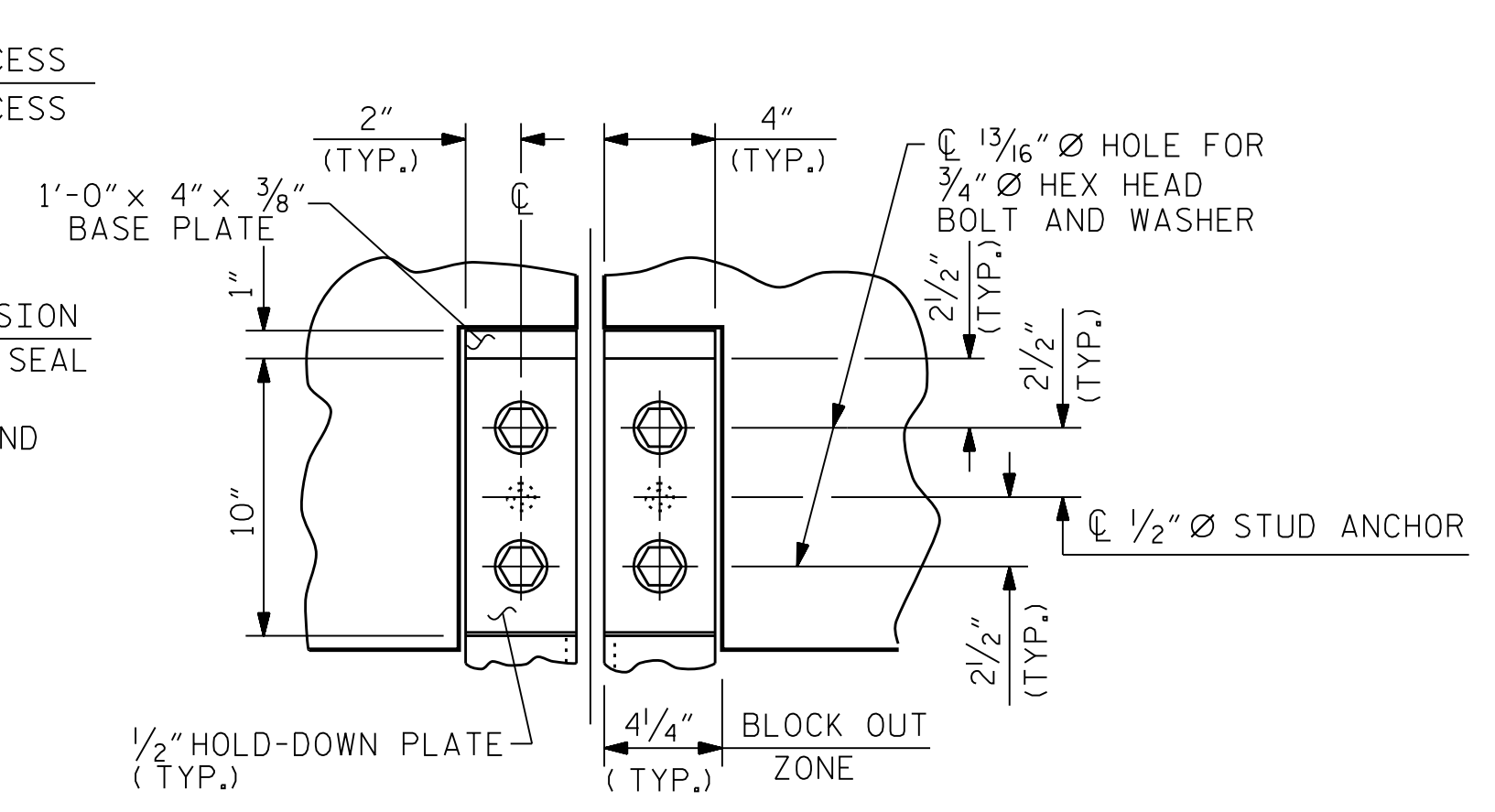


**TYPE I - ELEVATION VIEW**

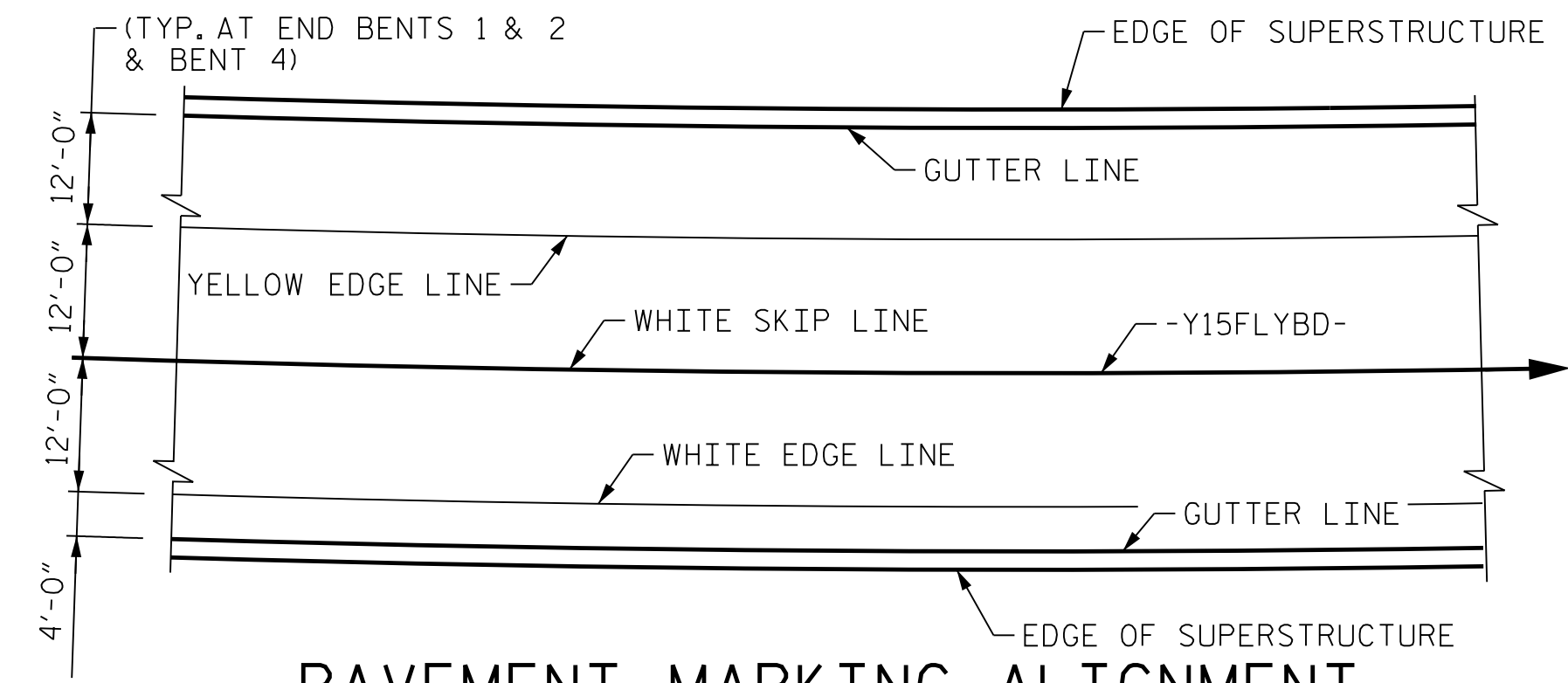


**TYPE II - ELEVATION VIEW**

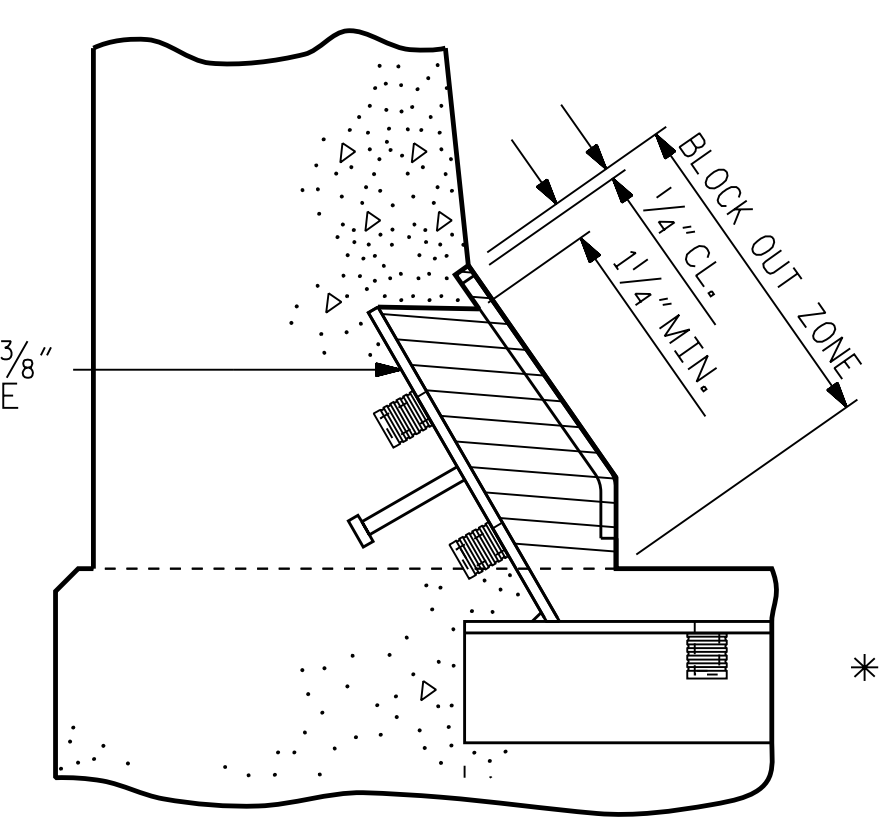
**COVER PLATE DETAILS**



**SECTION A-A**

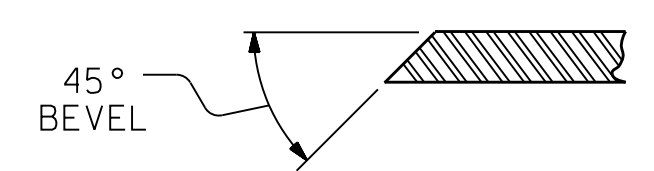


**PAVEMENT MARKING ALIGNMENT**

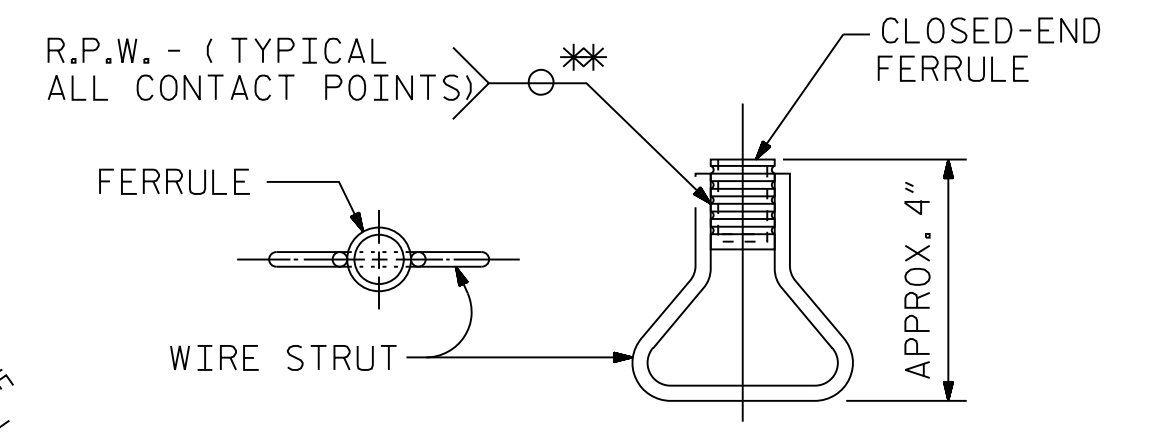


**BLOCK OUT DETAIL**

SEE "SECTION A - A" FOR OTHER DETAILS.



**SECTION B - B**



**CONCRETE INSERT**

\*\* = EACH WELDED ATTACHMENT OF WIRE TO FERRULE SHALL DEVELOP THE TENSILE STRENGTH OF THE WIRE.

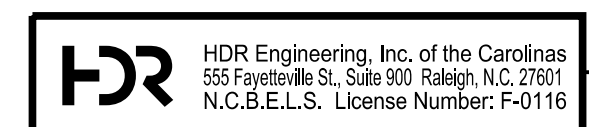
PROJECT NO. U-2579AB  
 FORSYTH COUNTY  
 STATION: 47+63.62 -Y15FLYBD-

STATE OF NORTH CAROLINA  
 DEPARTMENT OF TRANSPORTATION  
 RALEIGH  
 STANDARD  
 EXPANSION JOINT  
 SEAL DETAILS  
 FOR BARRIER RAIL



10/11/2021

ASSEMBLED BY : T. SAS	DATE : 10/19
CHECKED BY : G. SCHMITZ	DATE : 10/19
DRAWN BY : REK 9/87	REV. 7/12 MAA/GM
CHECKED BY : CRK 10/87	REV. 6/13 MAA/GM
	REV. 12/17 MAA/THC



DOCUMENT NOT CONSIDERED FINAL  
 UNLESS ALL SIGNATURES COMPLETED

REVISIONS						SHEET NO. S05-069
NO.	BY:	DATE:	NO.	BY:	DATE:	
1	--	--	3	--	--	TOTAL SHEETS 116
2	--	--	4	--	--	

PLOT DRIVER: NCDOT.pdf\_color\_eng-50dpi  
 USER: PETERSO  
 FILE: ... \SUPERS  
 PENTABLE: NCDOT STRUCTURES DEFAULT PEN.tbl  
 TIME: 8:24:49 AM  
 DATE: 10/17/2021