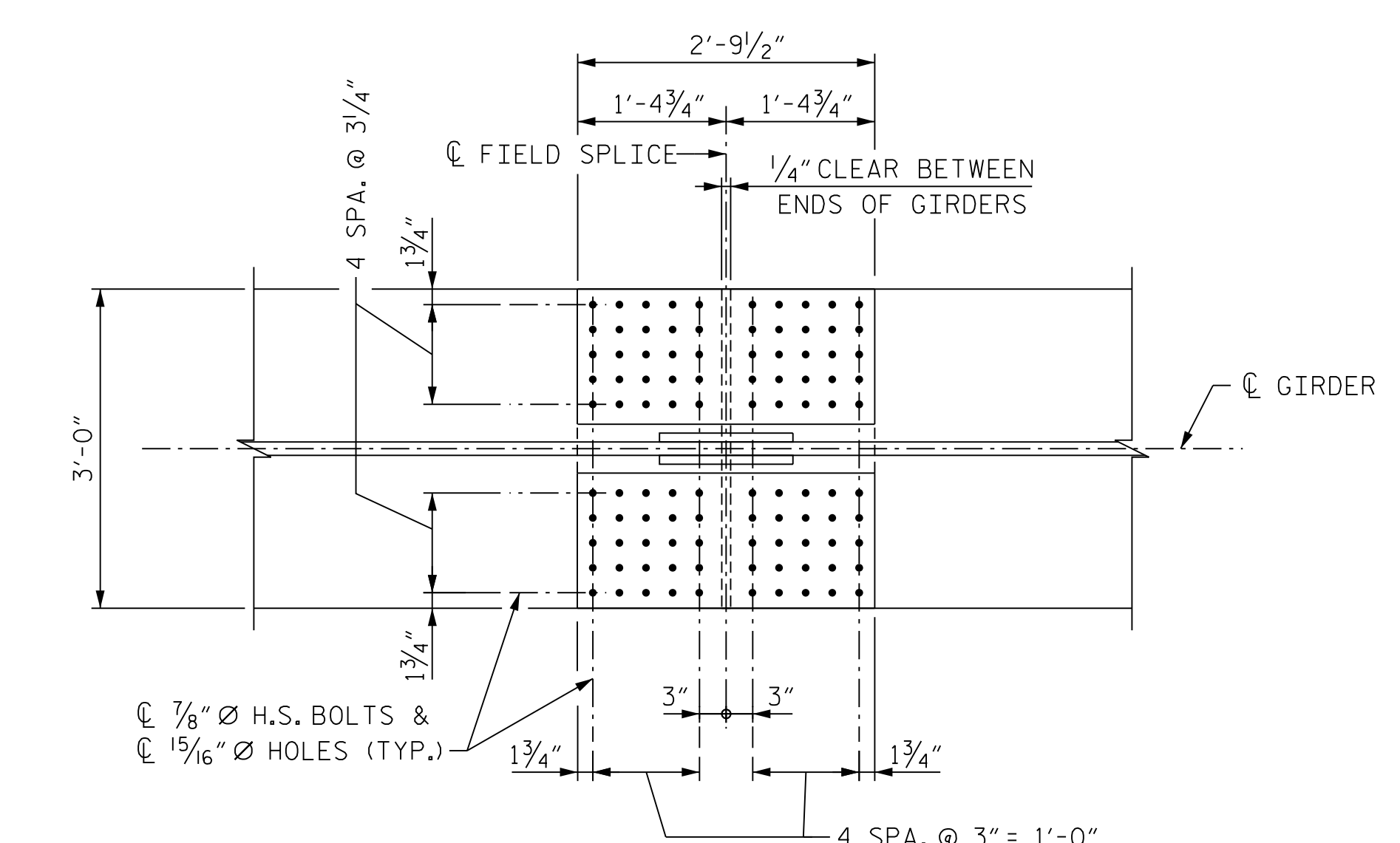
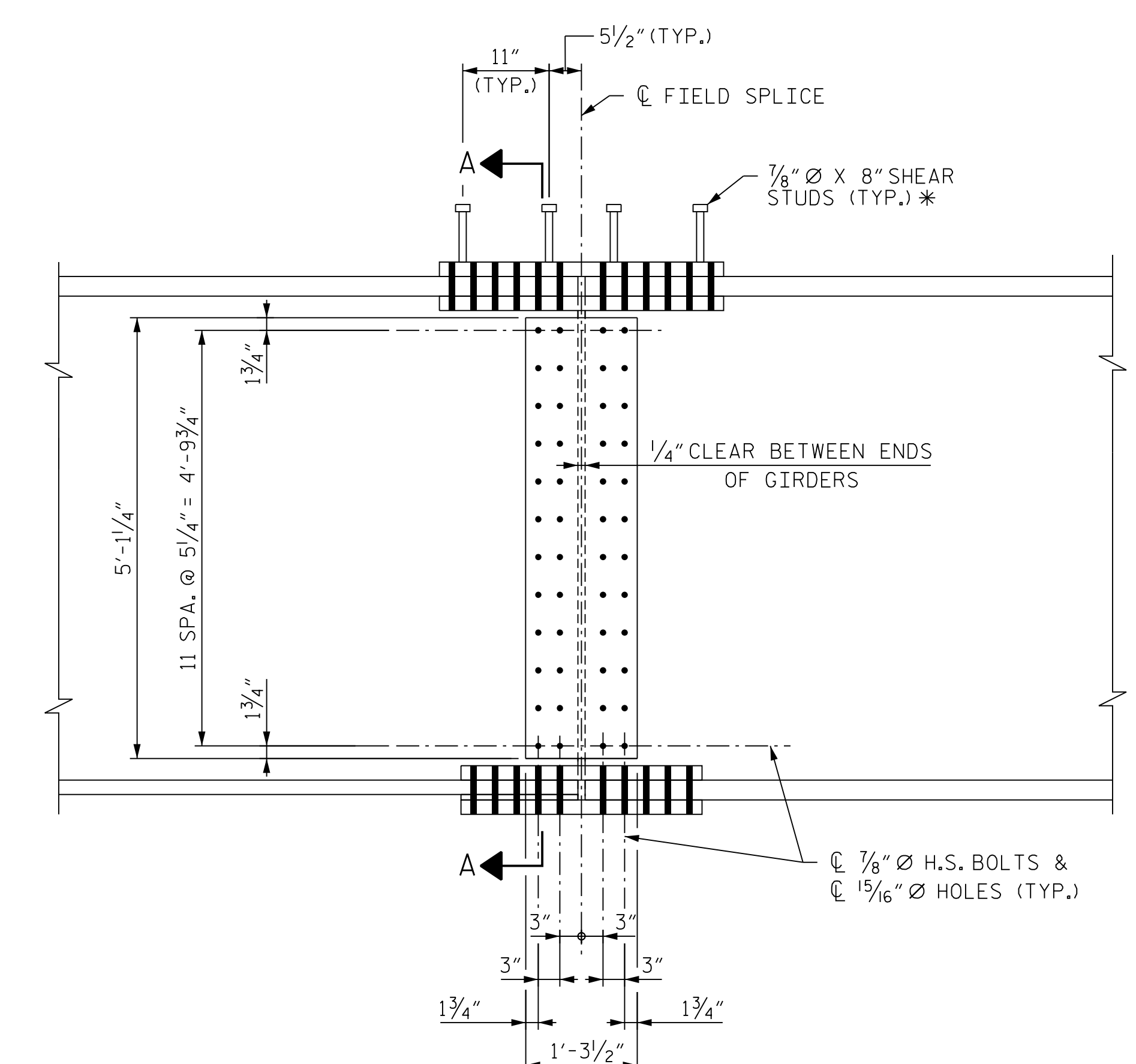


**PLAN (TOP OF TOP FLANGE)**  
(STUDS NOT SHOWN FOR CLARITY)

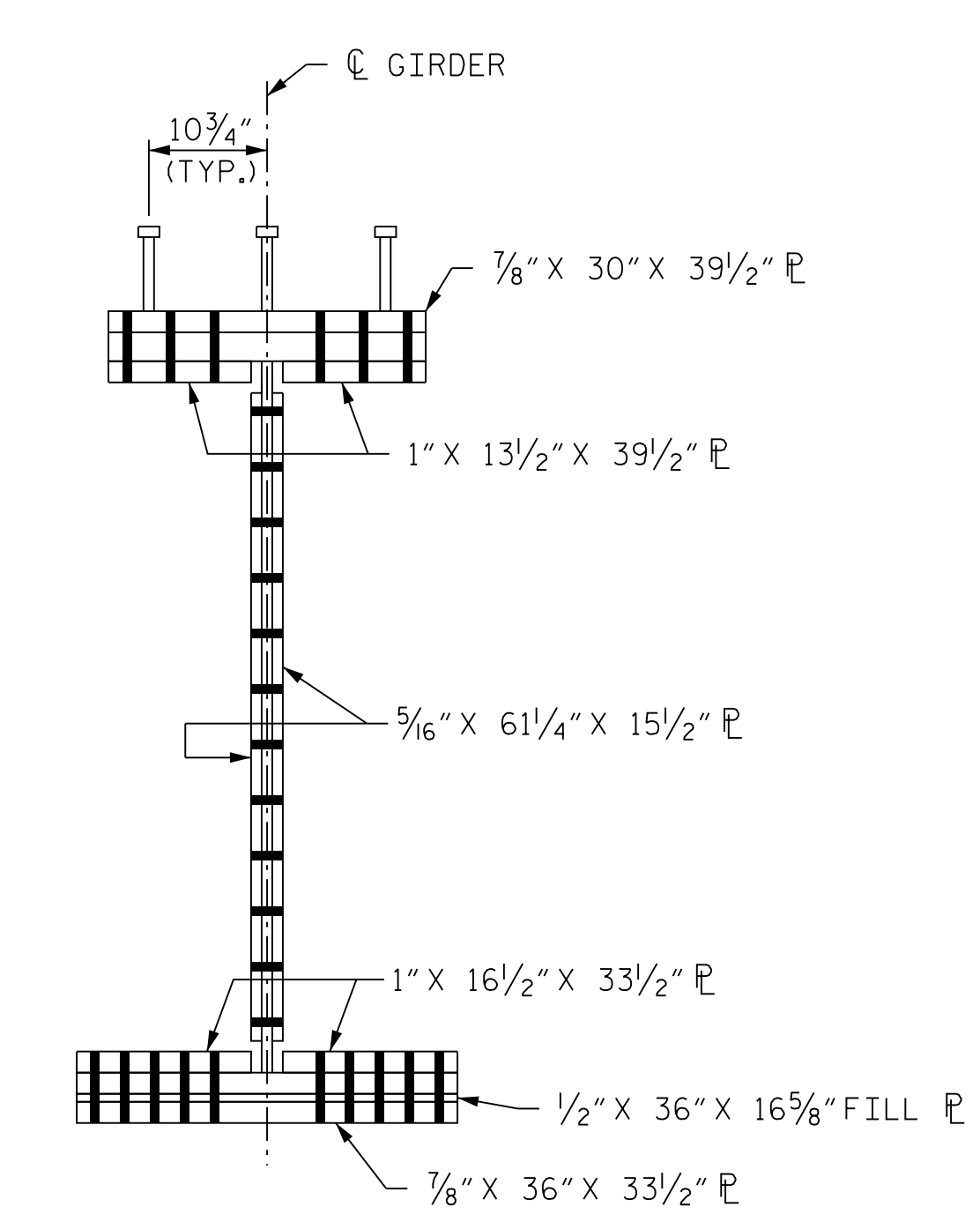
\* = SHEAR STUDS ARE TO BE SHOP WELDED ON TOP OF PLATE BEFORE FIELD ASSEMBLY



**PLAN (TOP OF BOTTOM FLANGE)**



**ELEVATION**



**SECTION A-A**

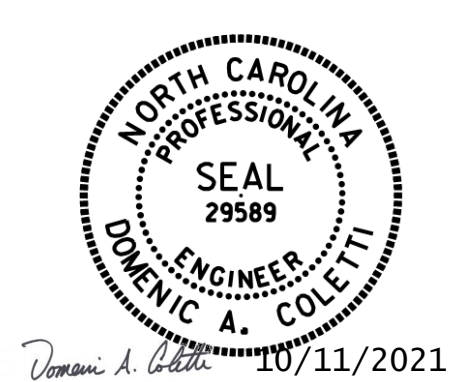
**NOTE**  
ORIENTATION OF PLAN AND ELEVATION VIEWS MAY VARY BASED ON FIELD SPLICE LOCATION

PROJECT NO. U-2579AB  
FORSYTH COUNTY  
 STATION: 47+63.62 -Y15FLYBD-

SHEET 14 OF 14

STATE OF NORTH CAROLINA  
 DEPARTMENT OF TRANSPORTATION  
 RALEIGH

**SUPERSTRUCTURE  
 BOLTED FIELD SPLICE  
 DETAILS - TYPE "N"**



REVISIONS						SHEET NO. S05-049 TOTAL SHEETS 116
NO.	BY:	DATE:	NO.	BY:	DATE:	
1	--	--	3	--	--	
2	--	--	4	--	--	

**HDR** HDR Engineering, Inc. of the Carolinas  
 555 Fayetteville St., Suite 900 Raleigh, N.C. 27601  
 N.C.B.E.L.S. License Number: F-0116

**DOCUMENT NOT CONSIDERED FINAL  
 UNLESS ALL SIGNATURES COMPLETED**

PLOT DRIVER: NCDOT... PENTABLE: NCDOT STRUCTURES DEFAULT PEN.tbl  
 USER: PPETERSO DATE: 10/11/2021 TIME: 8:22:51 AM  
 FILE: ... \SUPERS

DES BY: <u>A. MILLER</u>	DATE: <u>08/19</u>	DWG BY: <u>B. PETERSON</u>	DATE: <u>07/19</u>
DES CHK: <u>M. NEIHEISEL</u>	DATE: <u>08/19</u>	CHK BY: <u>D. OLDS</u>	DATE: <u>10/19</u>