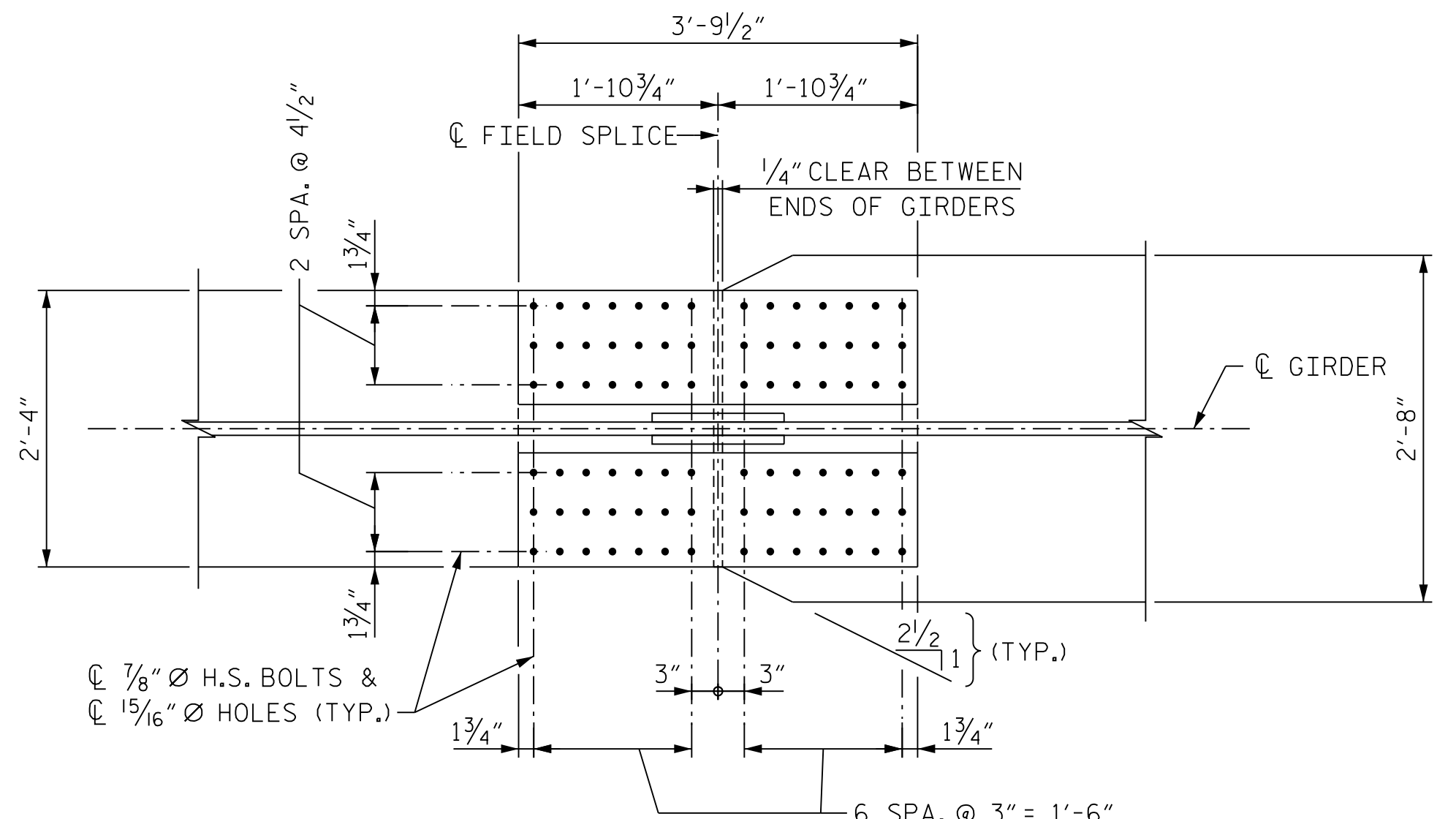


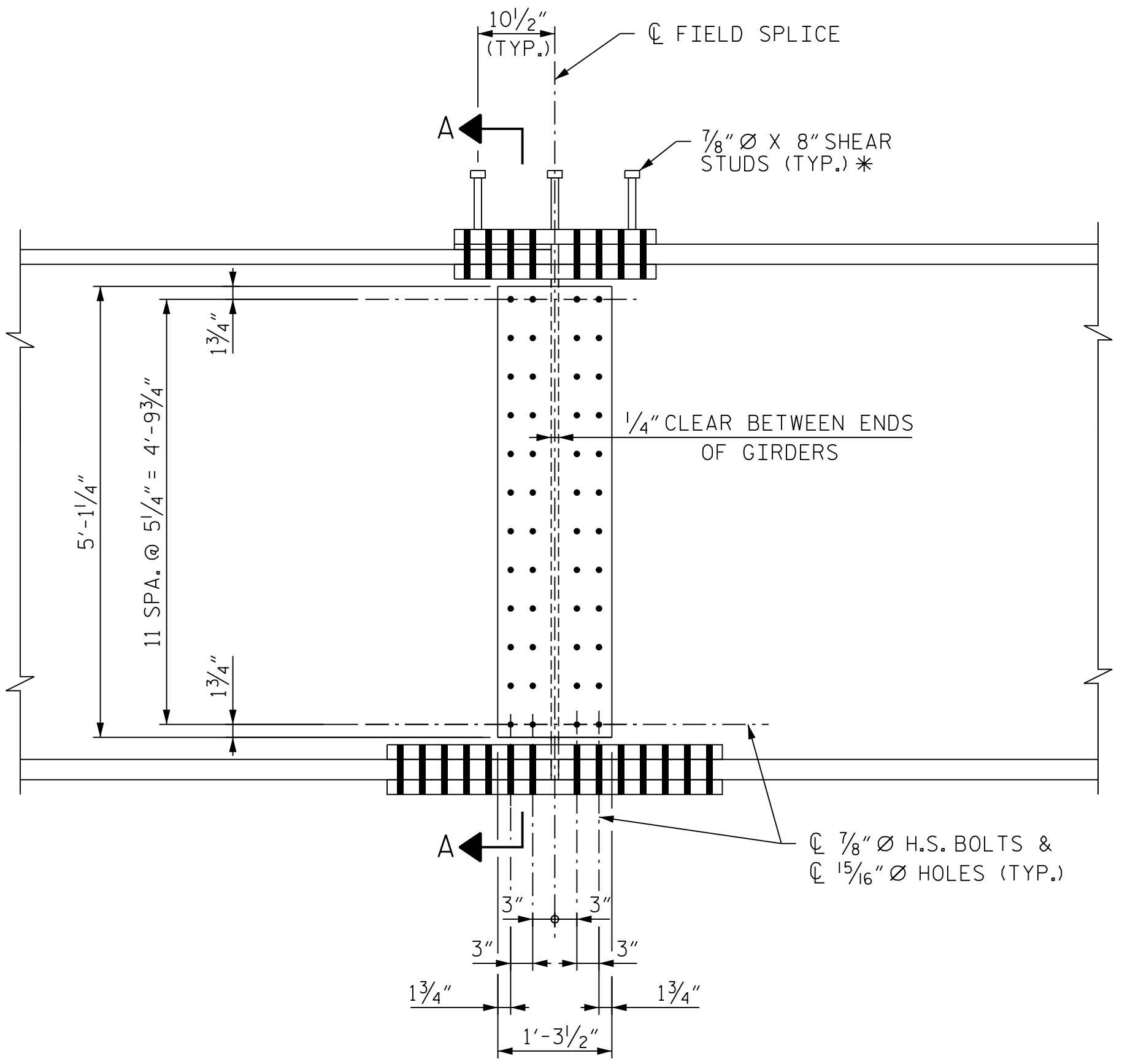
**PLAN (TOP OF TOP FLANGE)**

(STUDS NOT SHOWN FOR CLARITY)

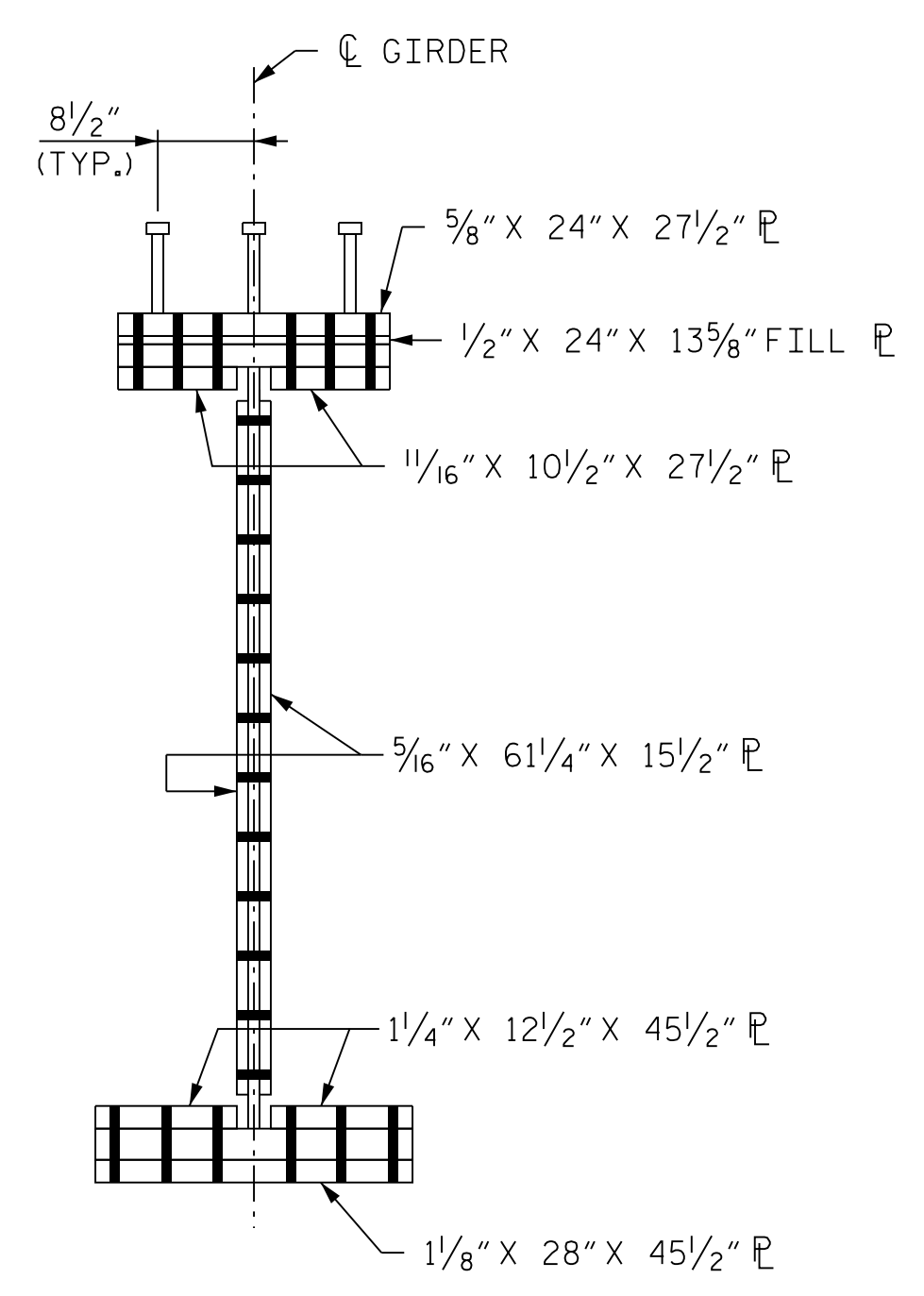
\* = SHEAR STUDS ARE TO BE SHOP WELDED ON TOP OF PLATE BEFORE FIELD ASSEMBLY



**PLAN (TOP OF BOTTOM FLANGE)**



**ELEVATION**



**SECTION A-A**

**NOTE**  
ORIENTATION OF PLAN AND ELEVATION VIEWS MAY VARY BASED ON FIELD SPLICE LOCATION

PROJECT NO. U-2579AB  
FORSYTH COUNTY  
STATION: 47+63.62 -Y15FLYBD-

SHEET 12 OF 14



STATE OF NORTH CAROLINA  
DEPARTMENT OF TRANSPORTATION  
RALEIGH

**SUPERSTRUCTURE  
BOLTED FIELD SPLICE  
DETAILS - TYPE "L"**

REVISIONS						SHEET NO. S05-047 TOTAL SHEETS 116
NO.	BY:	DATE:	NO.	BY:	DATE:	
1	--	--	3	--	--	
2	--	--	4	--	--	



DOCUMENT NOT CONSIDERED FINAL  
UNLESS ALL SIGNATURES COMPLETED

PLOT DRIVER: NCDOT...  
 USER: PPETERSO  
 DATE: 10/11/2021  
 FILE: ... \SUPERS

DES BY: <u>A. MILLER</u>	DATE: <u>08/19</u>	DWG BY: <u>B. PETERSON</u>	DATE: <u>07/19</u>
DES CHK: <u>M. NEIHEISEL</u>	DATE: <u>08/19</u>	CHK BY: <u>D. OLDS</u>	DATE: <u>10/19</u>